

John Deere 190E Excavator Service Repair Technical Manual (tm1540)

John Deere 190E Excavator Repair

REPAIR TECHNICAL MANUAL

190E

TM1540 21FEB05 (ENGLISH)

For complete service information also see:

190E Excavator Operation and Tests	tm1539
North American 3029 , 4039, 4045, 6059 and 6068 Diesel Engines	ctm8
Alternators and Starting Motors	ctm77
JDG10274 Ultrasonic Undercarriage Measurement Gauge	CTM10001



John Deere Construction and Forestry

Type: Service Manual

Language: English

Pages: 469

Format: PDF

Features: Bookmarked, searchable, printable

Compatibility: Windows/Mac/Tablet/Mobile

This service manual contains important information for the maintenance, troubleshooting and servicing of the **John Deere 190E Excavator Service Repair Technical Manual (tm1540)**

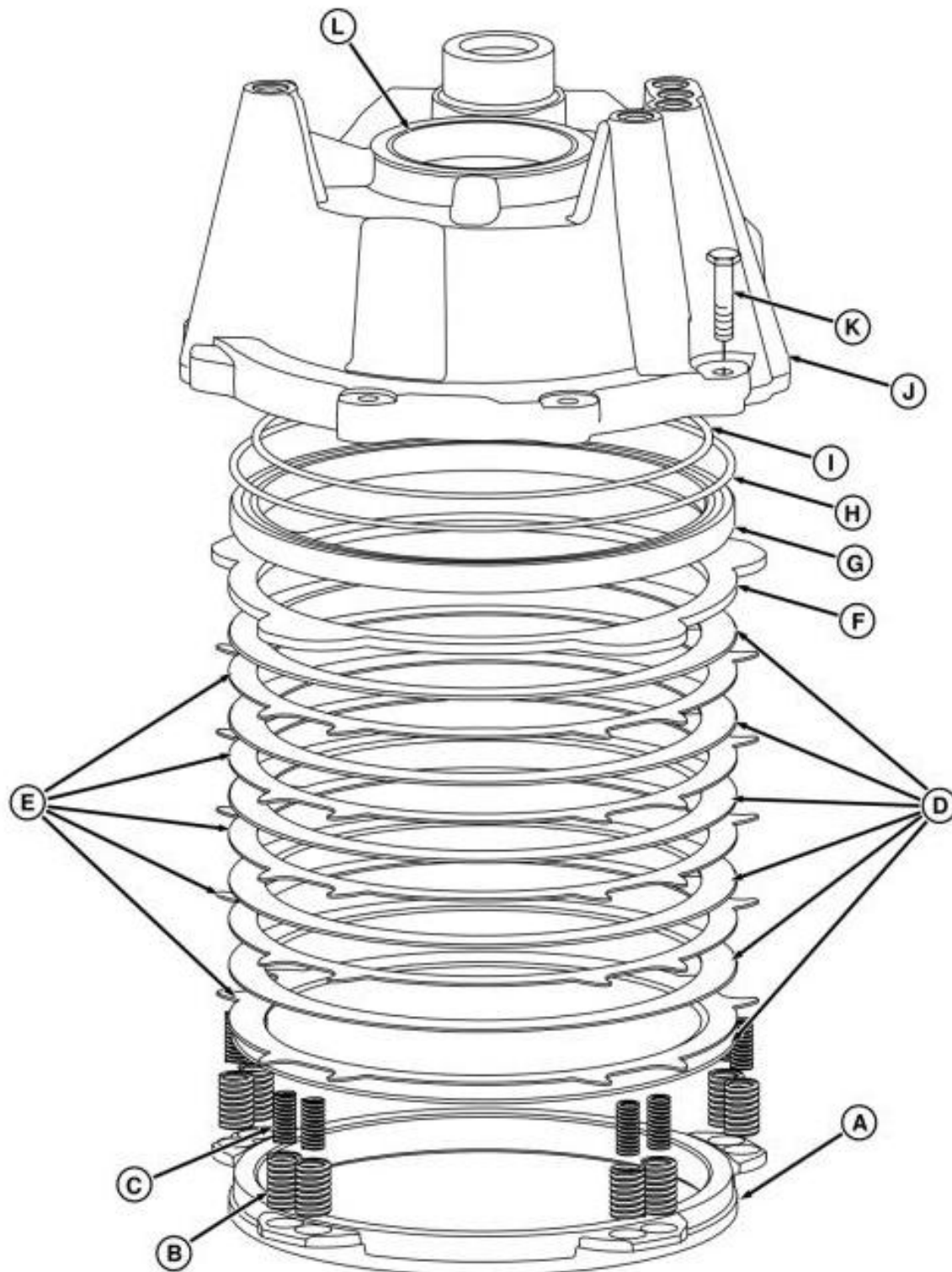
In this manual you will find detailed specifications, illustrations, schematics, diagrams and step-by-step procedures to properly service and diagnose the machine to the manufacturer's standards.

Contents:

- General Information
- Specifications
- Serial Number Location
- Engine Specifications
- Engine Diagnostics
- Engine Tests and Adjustments
- Engine Repair
- Power Train
- Transmission
- Axles
- Differential
- PTO
- Hydraulic System
- Electrical System
- Electrical Tests and Diagnostics
- Wiring Diagram / Schematic
- Ignition and Charging
- Steering
- Brakes
- Wheels
- Operator's Platform
- Body Panels
- Disassembly and Assembly
- Diagnostics, Tests and Adjustments
- Troubleshooting
- and much more...

Please note this manual is in **downloadable PDF format only**. If you have any questions about this product or would like to request sample pages, please contact us and reference the product name or SKU.

Exploded View—Reverse Brake—IVT™



Exploded View - Reverse Brake Assembly

LEGEND:

- | | |
|---|------------------------|
| A | Bottom Plate |
| B | Outer Springs (8 used) |
| C | Inner Springs (8 used) |



Thank you very much
for your reading.
Please click here
to get more information.