



John Deere 1910 (SN.-755100) Commodity Air Cart (Ground Driven) Diagnostic Service Manual (TM2068)

R4023 Self-Propelled
Sprayer Diagnostic

DIAGNOSIS AND TESTS MANUAL
Self-Propelled Sprayers models R4023
TM130819 01 NOV 15 (ENGLISH)

For complete service information also see:

R4023 Self-Propelled Sprayer Repair	TM130919
JDLink (MTG) Technical Manual	TM114519
GreenStar 3 2630 Display Technical Solutions Manual	TM112219
JDLink Diagnosis and Tests Manual	TM106919
PowerTech E 4.5L & 6.8L Diesel Engines with Electronic Fuel System With Denso HPCR	CTM502
120 Series Hydraulic System	CTM104
4045 PowerTech 4-Valve Diesel Engine (platform) Level 34 ECU	
PowerTech 4.5L & 6.8L Diesel Engines with Electronic Fuel System (Tier 2/Stage II, Tier 3/Stage IIIA, Tier 3/Stage IIA Tier 3/Stage II)	CTM104

PDF  **DOWNLOAD** 

John Deere Agriculture
Printed by Belgreen

TM130819

Covers: 1910,755100)

Type: Service Manual

Language: English

Pages: 1937

Format: PDF

Features: Bookmarked, searchable, printable

Compatibility: Windows/Mac/Tablet/Mobile

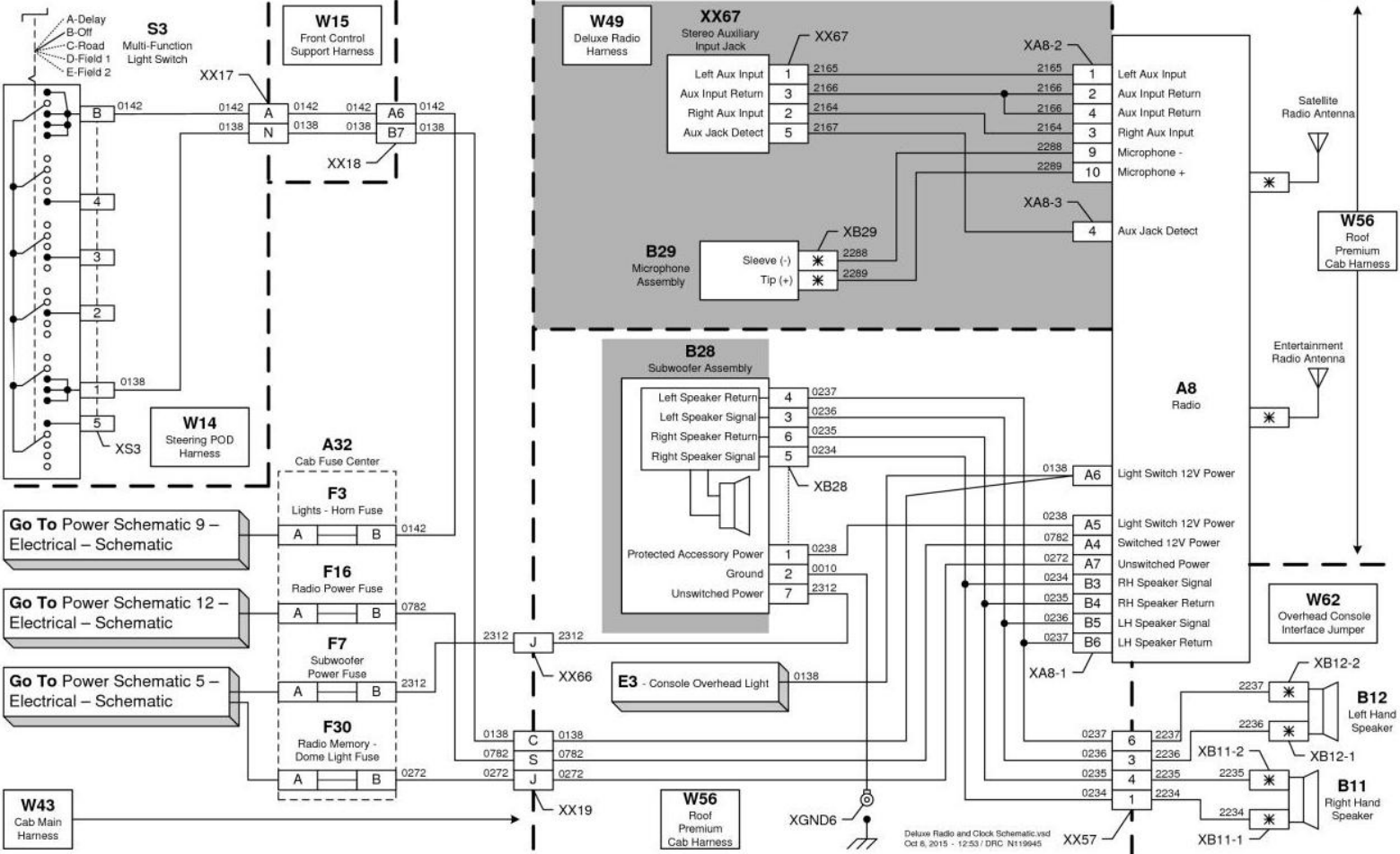
This service manual contains important information for the maintenance, troubleshooting and servicing of the **John Deere 1910 (SN.-755100) Commodity Air Cart (Ground Driven) Diagnostic Service Manual (TM2068)**

In this manual you will find detailed specifications, illustrations, schematics, diagrams and step-by-step procedures to properly service and diagnose the machine to the manufacturer's standards.

Contents:

- General Information
- Specifications
- Serial Number Location
- Engine Specifications
- Engine Diagnostics
- Engine Tests and Adjustments
- Engine Repair
- Power Train
- Transmission
- Axles
- Differential
- PTO
- Hydraulic System
- Electrical System
- Electrical Tests and Diagnostics
- Wiring Diagram / Schematic
- Ignition and Charging
- Steering
- Brakes
- Wheels
- Operator's Platform
- Body Panels
- Disassembly and Assembly
- Diagnostics, Tests and Adjustments
- Troubleshooting
- and much more...

Please note this manual is in **downloadable PDF format only**. If you have any questions about this product or would like to request sample pages, please contact us and reference the product name or SKU.



Go To Power Schematic 9 - Electrical - Schematic

Go To Power Schematic 12 - Electrical - Schematic

Go To Power Schematic 5 - Electrical - Schematic

Deluxe Radio and Clock Schematic.vsd
Oct 8, 2015 - 12:53 / DRC: N119945

Radio Electrical Schematic (Premium Cab)



Thank you very much
for your reading.
Please click here
to get more information.