

# John Deere 200CLC, 230CLC and 270CLC Excavator Service Repair Technical Manual (TM1931)

## 200CLC, 230CLC and 270CLC Excavator Repair

REPAIR TECHNICAL MANUAL

200CLC, 230CLC, 270CLC

TM1931 09OCT15 (ENGLISH)

For complete service information also see:

200CLC, 230CLC and 270CLC Excavator  
Diagnostic TM1930

Alternators and Starting Motors CTM77

PowerTech 4.5L and 6.8L Diesel Engines  
Level 12 Electronic Fuel System With  
Stanadyne DE10 Pump CTM331

Super Caddy Oil Cleanup Procedure CTM310

PowerTech 4.5L and 6.8L Diesel Engines  
Level 4 Electronic Fuel System  
With Bosch VP44

PowerTech 4.5L & 6.8L Diesel Engines  
Tier 1/Stage I, Tier 2/Stage II,  
Tier 3/Stage IIIA, Tier 3/Stage IIIB,  
Tier 3/Stage IIIC, (Base Engine)

JDG10274 Ultrasonic Undercarriage  
Measurement Gauge CTM10001



John Deere Construction and Forestry

**Covers:** 200CLC,230CLC,270CLC

**Type:** Service Manual

**Language:** English

**Pages:** 506

**Format:** PDF

**Features:** Bookmarked, searchable, printable

**Compatibility:** Windows/Mac/Tablet/Mobile

This service manual contains important information for the maintenance, troubleshooting and servicing of the **John Deere 200CLC, 230CLC and 270CLC Excavator Service Repair Technical Manual (TM1931)**

In this manual you will find detailed specifications, illustrations, schematics, diagrams and step-by-step procedures to properly service and diagnose the machine to the manufacturer's standards.

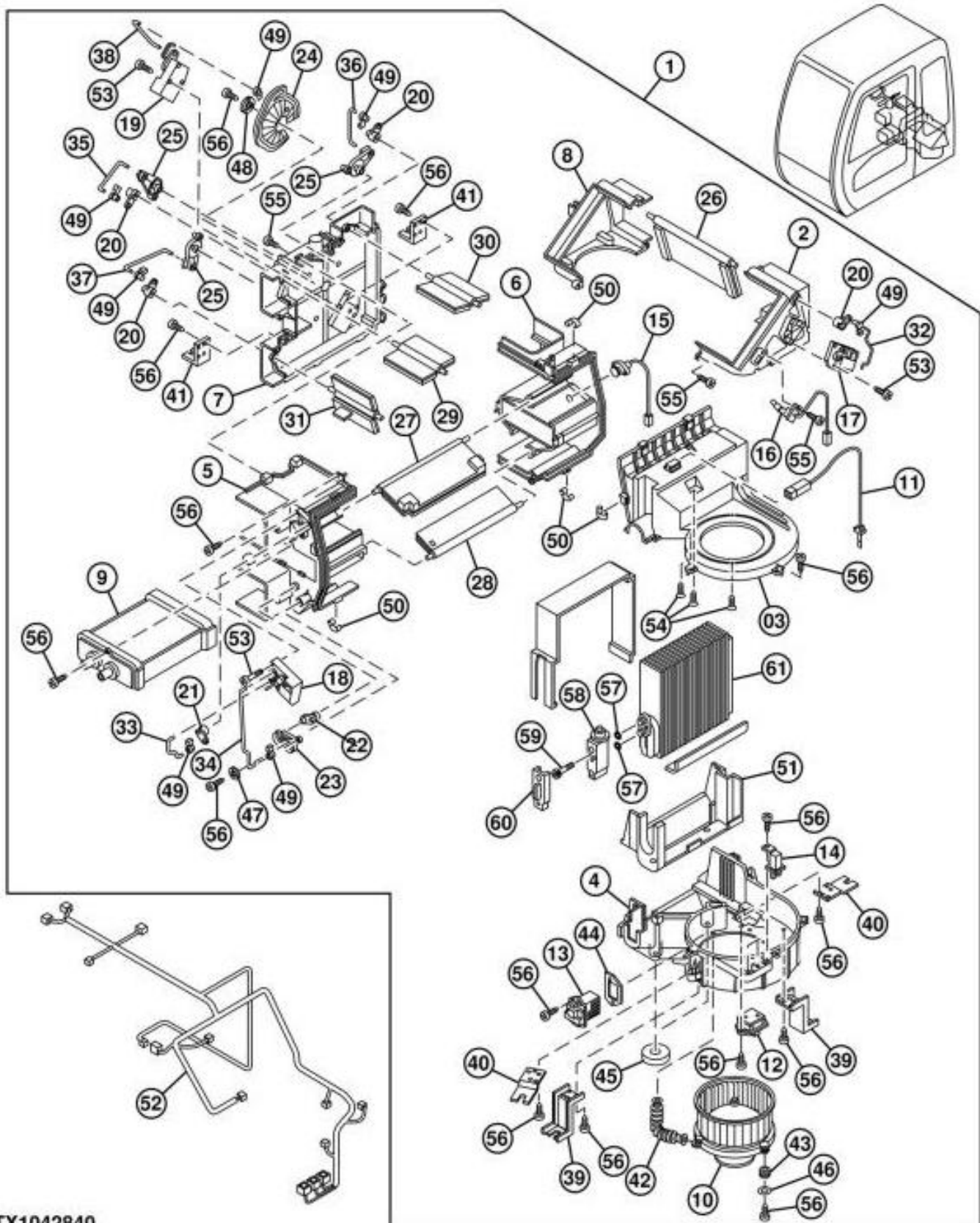
**Contents:**

- General Information
- Specifications
- Serial Number Location
- Engine Specifications
- Engine Diagnostics
- Engine Tests and Adjustments
- Engine Repair
- Power Train
- Transmission
- Axles
- Differential
- PTO
- Hydraulic System
- Electrical System
- Electrical Tests and Diagnostics
- Wiring Diagram / Schematic
- Ignition and Charging
- Steering
- Brakes
- Wheels
- Operator's Platform
- Body Panels
- Disassembly and Assembly
- Diagnostics, Tests and Adjustments
- Troubleshooting
- and much more...

Please note this manual is in **downloadable PDF format only**. If you have any questions about this product or would like to request sample pages, please contact us and reference the product name or SKU.

# Air Conditioner and Heater Repair

## Remove and Install Air Conditioner and Heater



TX1042840

### Air Conditioner and Heater Parts

#### LEGEND:



Thank you very much  
for your reading.  
Please click here  
to get more information.