

# John Deere 2054 Delimber and 2554 Harvester Logger Technical Service Manual (tm2016)

WL53 4WD Loader (SN.  
D100008—100079)



## OPERATION AND TEST MANUAL

4WD Loaders models WL53 (PIN: 1YNWL53\*\*\*D100008—100079)

TM13255X19 17 JUN 15 (ENGLISH)

**For complete service information also see:**

WL53 4WD Loader Repair

TM13256X19

JDLink (MTG) Technical Manual

TM114519

Alternators and Starting Motors

CTM77

PowerTech E 4.5 and 6.8L Diesel Engines Level 16 Electronic Fuel System With  
Denso HPCR

CTM502

AR15MTL Inboard



John Deere Construction and Forestry  
Printed by Belgreen



TM13255X19

Covers: 2054,2554

**Type:** Service Manual

**Language:** English

**Pages:** 106

**Format:** PDF

**Features:** Bookmarked, searchable, printable

**Compatibility:** Windows/Mac/Tablet/Mobile

This service manual contains important information for the maintenance, troubleshooting and servicing of the **John Deere 2054 Delimber and 2554 Harvester Logger Technical Service Manual (tm2016)**

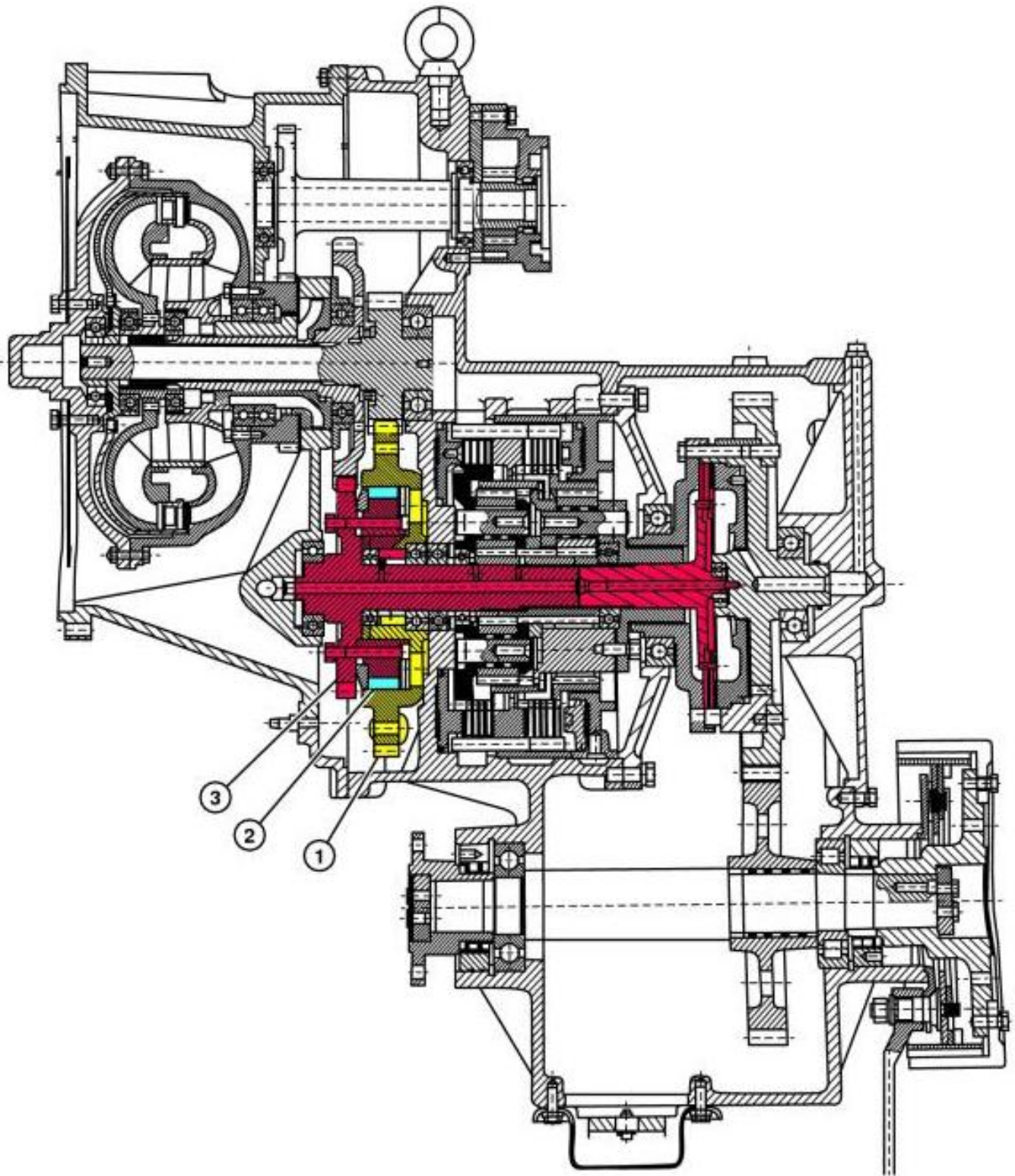
In this manual you will find detailed specifications, illustrations, schematics, diagrams and step-by-step procedures to properly service and diagnose the machine to the manufacturer's standards.

**Contents:**

- General Information
- Specifications
- Serial Number Location
- Engine Specifications
- Engine Diagnostics
- Engine Tests and Adjustments
- Engine Repair
- Power Train
- Transmission
- Axles
- Differential
- PTO
- Hydraulic System
- Electrical System
- Electrical Tests and Diagnostics
- Wiring Diagram / Schematic
- Ignition and Charging
- Steering
- Brakes
- Wheels
- Operator's Platform
- Body Panels
- Disassembly and Assembly
- Diagnostics, Tests and Adjustments
- Troubleshooting
- and much more...

Please note this manual is in **downloadable PDF format only**. If you have any questions about this product or would like to request sample pages, please contact us and reference the product name or SKU.

# Overrunning Clutch Operation



## Overrunning Clutch



Thank you very much  
for your reading.  
Please click here  
to get more information.