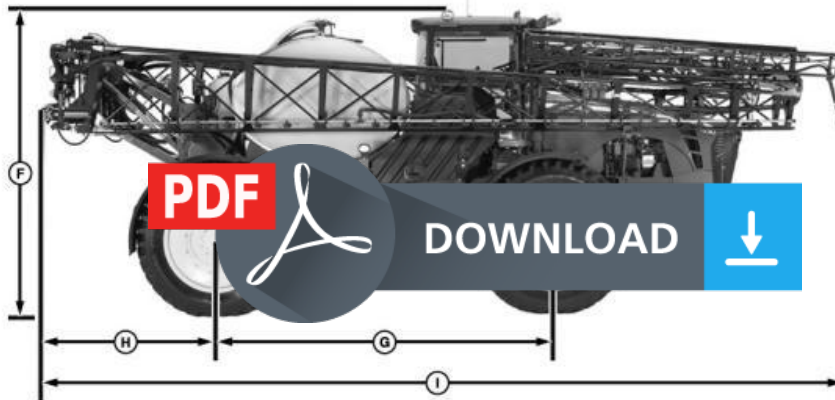
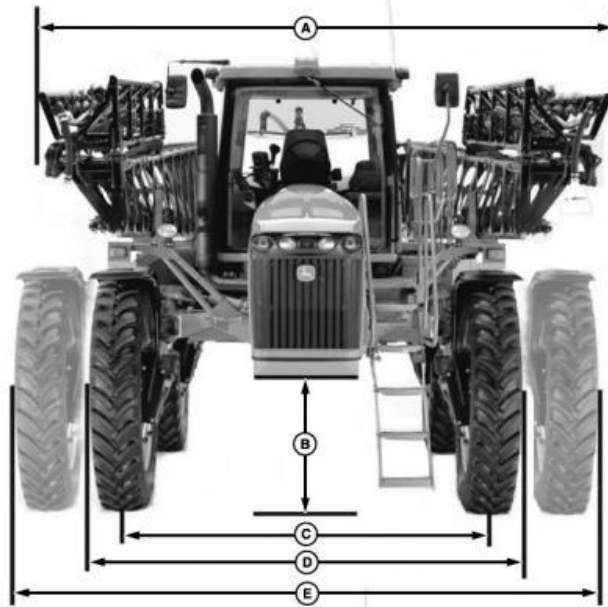


John Deere 2115, 2117, 2122, 2126, 2130, 2134 Planter (SN.-099999) Technical Service Manual TM803719

Section 10 - GENERAL INFORMATION

Group 10: General Information

Dimensions



36.6 m (120 ft.) Boom Shown

LEGEND:

A	Machine Width, 3658 mm (12.0 ft.)
B	Underframe Clearance (Bottom of Radiator), 1189 mm (3.9 ft.)
C	Tire Center -to- Tire Center (Tread Retracted), 3139 mm (10.3 ft.)
D	Wheel Width at Hub (Tread Retracted), 3536 mm (11.6 ft.)
E	Wheel Width at Hub (Tread Extended), 4542 mm (14.9 ft.)
F	Cab Height (Springs Inflated), 3886 mm (12.7 ft.)
F	Cab Height (Springs Deflated), 3719 mm (12.2 ft.)
G	Wheelbase, 4318 mm (170 in.)
H	Center of Rear Tire-to-Rear of Boom, 2560 mm (8.4 ft.)

[Go to Section TOC](#)

Section 10 page 33

4940 Self-Propelled Sprayer Repair

Covers: (SN.-099999),2113,2115,2117,2122,2126,2130,2134

Type: Service Manual

Language: English

Pages: 282

Format: PDF

Features: Bookmarked, searchable, printable

Compatibility: Windows/Mac/Tablet/Mobile

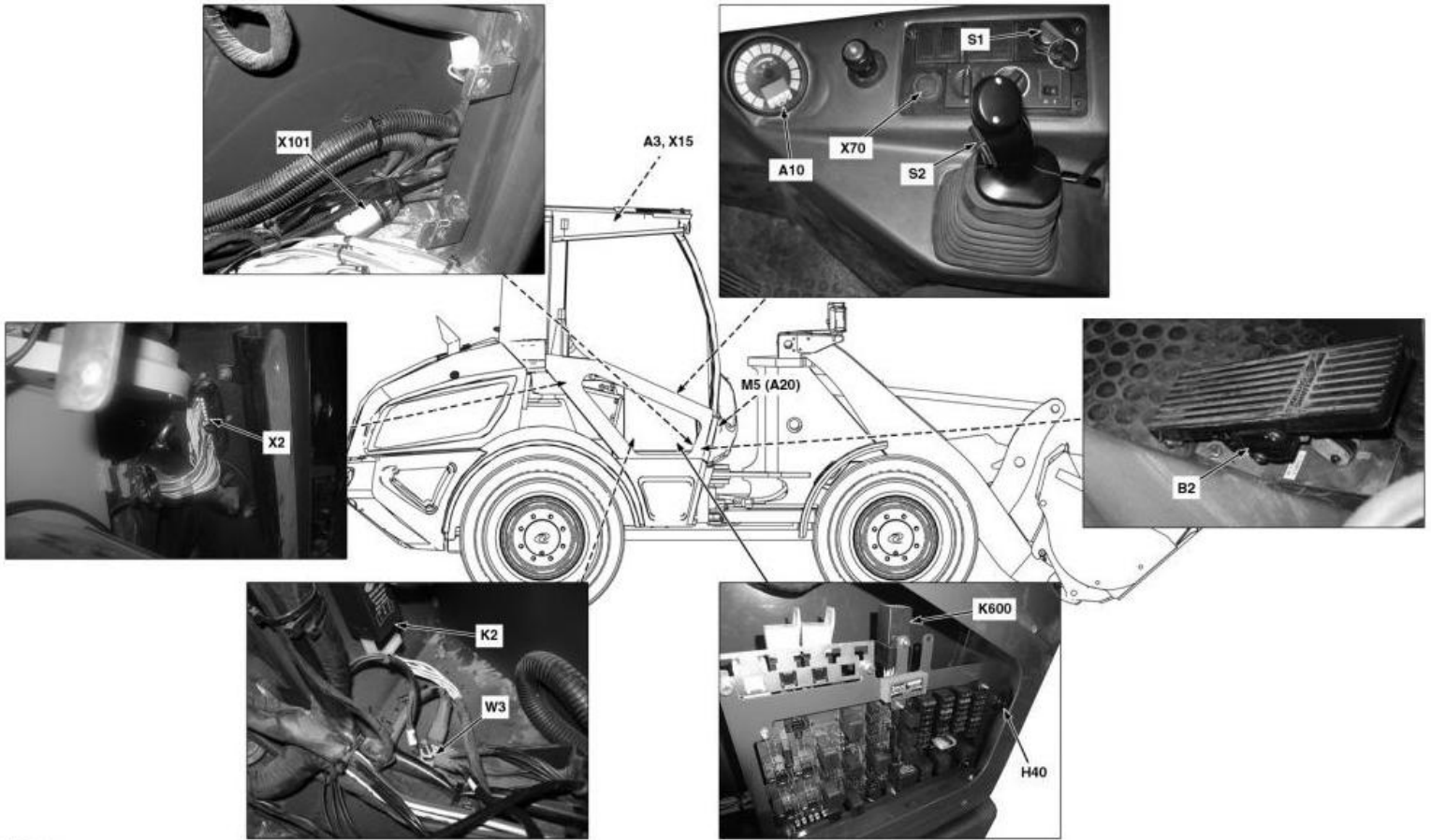
This service manual contains important information for the maintenance, troubleshooting and servicing of the **John Deere 2115, 2117, 2122, 2126, 2130, 2134 Planter (SN.-099999) Technical Service Manual TM803719**

In this manual you will find detailed specifications, illustrations, schematics, diagrams and step-by-step procedures to properly service and diagnose the machine to the manufacturer's standards.

Contents:

- General Information
- Specifications
- Serial Number Location
- Engine Specifications
- Engine Diagnostics
- Engine Tests and Adjustments
- Engine Repair
- Power Train
- Transmission
- Axles
- Differential
- PTO
- Hydraulic System
- Electrical System
- Electrical Tests and Diagnostics
- Wiring Diagram / Schematic
- Ignition and Charging
- Steering
- Brakes
- Wheels
- Operator's Platform
- Body Panels
- Disassembly and Assembly
- Diagnostics, Tests and Adjustments
- Troubleshooting
- and much more...

Please note this manual is in **downloadable PDF format only**. If you have any questions about this product or would like to request sample pages, please contact us and reference the product name or SKU.



TX1141683A

Cab Harness (WB) Component Location



Thank you very much
for your reading.
Please click here
to get more information.