

John Deere 2144G (SN. D210001-) Forestry Excavator Service Repair Technical Manual (TM14270X19)

E240, E240LC, and E260LC Excavator Repair

REPAIR TECHNICAL MANUAL

T2/S2 models E240LC, E260LC (PIN: 1YNE24AL_C500021-)

TM12738 28JAN16 (ENGLISH)

For complete service information also see:

E240, E240LC, and E260LC Excavator
Diagnostic TM12732

JDLink (MTG) Technical Manual TM114519

PowerTech Plus 4.5L and 6.8L Diesel
Engines Level 14 Electronic Fuel System
With Denso HPCR CTM320

PowerTech 4.5L & 6.8L Diesel Engines
Tier 1/Stage I, Tier 2/Stage II
3/Stage IIIA, Tier 4/Stage III, (Base Engine) CTM104

PDF



DOWNLOAD



John Deere Construction and Forestry

Covers: 2144G,1F92144G_,_D210001 (???)

Type: Service Manual

Language: English

Pages: 330

Format: PDF

Features: Bookmarked, searchable, printable

Compatibility: Windows/Mac/Tablet/Mobile

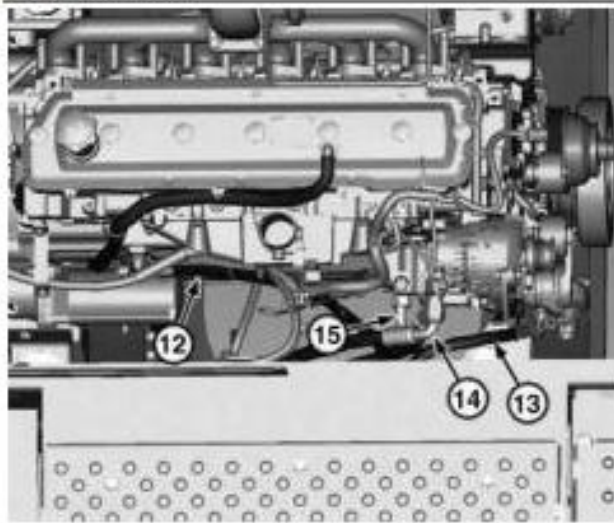
This service manual contains important information for the maintenance, troubleshooting and servicing of the **John Deere 2144G (SN. D210001-) Forestry Excavator Service Repair Technical Manual (TM14270X19)**

In this manual you will find detailed specifications, illustrations, schematics, diagrams and step-by-step procedures to properly service and diagnose the machine to the manufacturer's standards.

Contents:

- General Information
- Specifications
- Serial Number Location
- Engine Specifications
- Engine Diagnostics
- Engine Tests and Adjustments
- Engine Repair
- Power Train
- Transmission
- Axles
- Differential
- PTO
- Hydraulic System
- Electrical System
- Electrical Tests and Diagnostics
- Wiring Diagram / Schematic
- Ignition and Charging
- Steering
- Brakes
- Wheels
- Operator's Platform
- Body Panels
- Disassembly and Assembly
- Diagnostics, Tests and Adjustments
- Troubleshooting
- and much more...

Please note this manual is in **downloadable PDF format only**. If you have any questions about this product or would like to request sample pages, please contact us and reference the product name or SKU.

**LEGEND:**

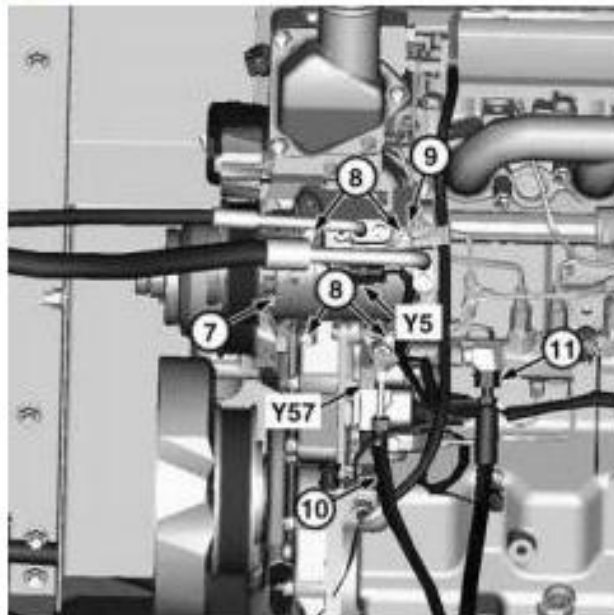
- 12 Heater Supply Line
- 13 Heater Return Line
- 14 Oil Line (engine oil filter to oil cooler)
- 15 Oil Line (oil cooler to engine oil filter)

Heater and Oil Lines

Connect heater lines (12 and 13). [See Heater and Air Conditioner Component Location.](#) (Group 9031-15.)

[20] - Connect oil lines (14 and 15). [See PowerTech™ 4.5L and 6.8L Diesel Engines—Base Engine.](#) (CTM104.)

[21] -

**LEGEND:**

- 7 Air Conditioner Compressor
- 8 Cap Screw (4 used)
- 9 Clamp
- 10 Fuel Line (high-pressure fuel pump to fuel cooler) (if equipped)
- 11 Fuel Line (final fuel filter to high-pressure fuel pump)
- Y5 Air Conditioner Compressor Clutch
- Y57 High-Pressure Fuel Pump

Air Conditioner Compressor and Fuel Lines—Stage II Engine Shown

Connect air conditioner compressor clutch (Y5). [See Engine Harness \(W11\) Component Location.](#) (Group 9015-10.)

[22] - Connect fuel lines (10 and 11) to high-pressure fuel pump (Y57).

[23] - Install air conditioner compressor (7), clamp (9), and cap screws (8). [See Compressor Remove and Install.](#) (Group 1830.)

[24] -



Thank you very much
for your reading.
Please click here
to get more information.