


# John Deere 2154D Processor Diagnostic, Operation and Test Service Manual (TM10325)



2154D Processor Diagnostic

JOHN HARE  
  
COLLECTION

**OPERATION AND TEST MANUAL**  
**Processor models 2154D**  
TM10325 26 FEB 16 (ENGLISH)

**For complete service information also see:**

JDLink (MTG) Technical Manual	TM114519
2154D Processor Repair	TM10417
PowerTech E 4.5 and 6.8L Diesel Engines Level 16 Electronic Fuel System With Denso HPCR	CTM502
Super Caddy Oil Cooler	CTM310
PowerTech 4.5L & 6.8L Diesel Engines Level 16 Electronic Fuel System With Denso HPCR, Tier 3/Stage I	

**PDF**  **DOWNLOAD** 

John Deere Construction and Forestry  
Printed by Belgreen

TM10325

Covers: 2154D

**Type:** Service Manual

**Language:** English

**Pages:** 770

**Format:** PDF

**Features:** Bookmarked, searchable, printable

**Compatibility:** Windows/Mac/Tablet/Mobile

This service manual contains important information for the maintenance, troubleshooting and servicing of the **John Deere 2154D Processor Diagnostic, Operation and Test Service Manual (TM10325)**

In this manual you will find detailed specifications, illustrations, schematics, diagrams and step-by-step procedures to properly service and diagnose the machine to the manufacturer's standards.

**Contents:**

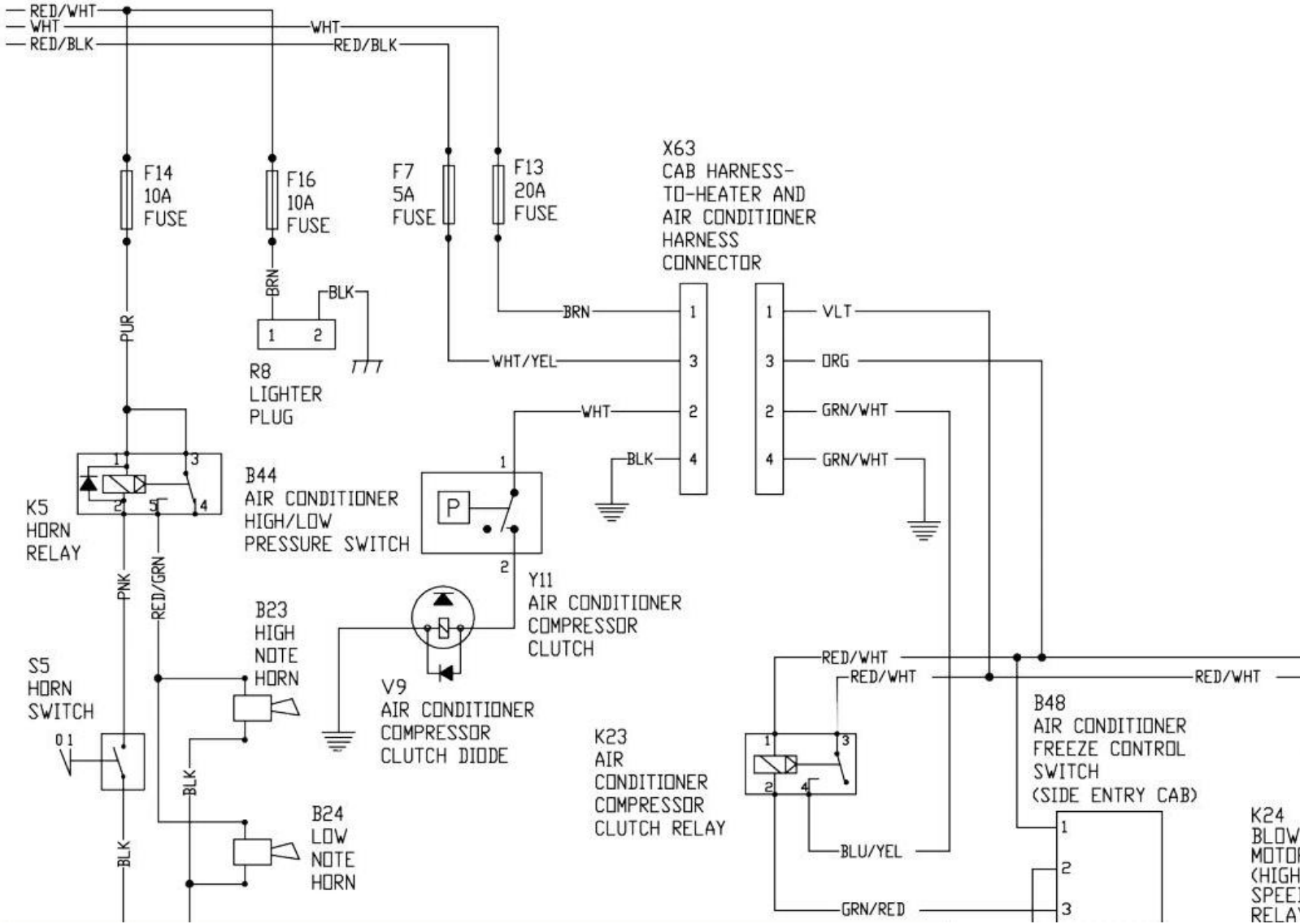
- General Information
- Specifications
- Serial Number Location
- Engine Specifications
- Engine Diagnostics
- Engine Tests and Adjustments
- Engine Repair
- Power Train
- Transmission
- Axles
- Differential
- PTO
- Hydraulic System
- Electrical System
- Electrical Tests and Diagnostics
- Wiring Diagram / Schematic
- Ignition and Charging
- Steering
- Brakes
- Wheels
- Operator's Platform
- Body Panels
- Disassembly and Assembly
- Diagnostics, Tests and Adjustments
- Troubleshooting
- and much more...

Please note this manual is in **downloadable PDF format only**. If you have any questions about this product or would like to request sample pages, please contact us and reference the product name or SKU.

Section 9015 - ELECTRICAL SYSTEM

- B05 RED
- B02 RED
- P01 RED

- RED/WHT
- WHT
- RED/BLK



K24  
BLOW  
MOTOR  
(HIGH  
SPEED  
RELAY)



Thank you very much  
for your reading.  
Please click here  
to get more information.