


John Deere 2154D Processor Service Repair Technical Manual (TM10417)



2154D Processor Repair

JOHN HARE

COLLECTION



REPAIR TECHNICAL MANUAL
Processor models 2154D
TM10417 26 FEB 16 (ENGLISH)

For complete service information also see:

JDLINK (MTG) Technical Manual	TM114519
2154D Processor Diagnostic	TM10325
PowerTech E 4.5 and 6.8L Diesel Engines Level 16 Electronic Fuel System With Denso HPCR	CTM502
Super Caddy Oil C	CTM310
PowerTech 4.5L & 6.8L Diesel Engines Level 16 Electronic Fuel System With Denso HPCR, Tier 3/Stage II	

PDF  **DOWNLOAD** 

John Deere Construction and Forestry
Printed by Belgreen



Covers: 2154D

Type: Service Manual

Language: English

Pages: 398

Format: PDF

Features: Bookmarked, searchable, printable

Compatibility: Windows/Mac/Tablet/Mobile

This service manual contains important information for the maintenance, troubleshooting and servicing of the **John Deere 2154D Processor Service Repair Technical Manual (TM10417)**

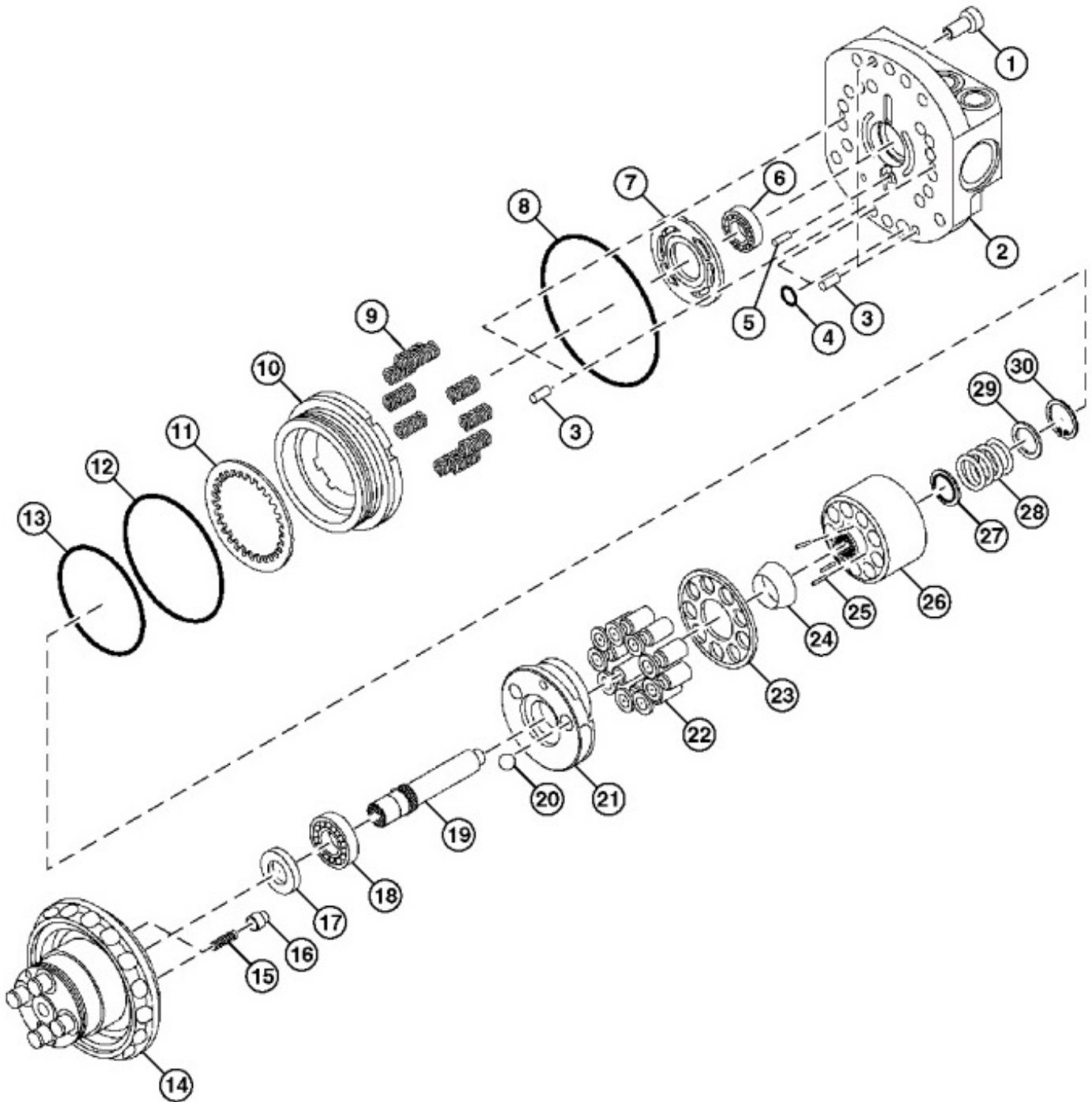
In this manual you will find detailed specifications, illustrations, schematics, diagrams and step-by-step procedures to properly service and diagnose the machine to the manufacturer's standards.

Contents:

- General Information
- Specifications
- Serial Number Location
- Engine Specifications
- Engine Diagnostics
- Engine Tests and Adjustments
- Engine Repair
- Power Train
- Transmission
- Axles
- Differential
- PTO
- Hydraulic System
- Electrical System
- Electrical Tests and Diagnostics
- Wiring Diagram / Schematic
- Ignition and Charging
- Steering
- Brakes
- Wheels
- Operator's Platform
- Body Panels
- Disassembly and Assembly
- Diagnostics, Tests and Adjustments
- Troubleshooting
- and much more...

Please note this manual is in **downloadable PDF format only**. If you have any questions about this product or would like to request sample pages, please contact us and reference the product name or SKU.

Travel Motor and Park Brake Disassemble and Assemble



TX1186639

Travel Motor and Park Brake

LEGEND:

1	Cap Screw (6 used)
2	Park Brake Valve Housing
3	Pin (4 used)
4	O-Ring (3 used)



Thank you very much
for your reading.
Please click here
to get more information.