

# John Deere 2156G, 2156GLC (SN. C216001-, D216001) Log Loader Repair Technical Manual (TM14048X19)

**W230 Combine  
Diagnostic and  
Repair**



**TECHNICAL MANUAL**

**W230 4LZ-7, W230 4LZ-8 (S.N.015000-)**

**TM702819 01DEC15 (ENGLISH)**

For complete service information also see:

Alternators and Starting Motors	CTM77
PowerTech E 4.5 and 6.8L Diesel Engines Level 16 Electronic Fuel System With Denso HPCR	CTM502
PowerTech 4.5L & 6.8L Diesel Engines Tier 1/Stage I, Tier 2/Stage II, Tier 3/Stage IIIA, Tier 3/Stage IIA Tier 3/Stage III, (Base Engine)	CTM104

**PDF**  **DOWNLOAD** 

John Deere Agriculture

**Type:** Service Manual

**Language:** English

**Pages:** 377

**Format:** PDF

**Features:** Bookmarked, searchable, printable

**Compatibility:** Windows/Mac/Tablet/Mobile

This service manual contains important information for the maintenance, troubleshooting and servicing of the **John Deere 2156G, 2156GLC (SN. C216001-, D216001) Log Loader Repair Technical Manual (TM14048X19)**

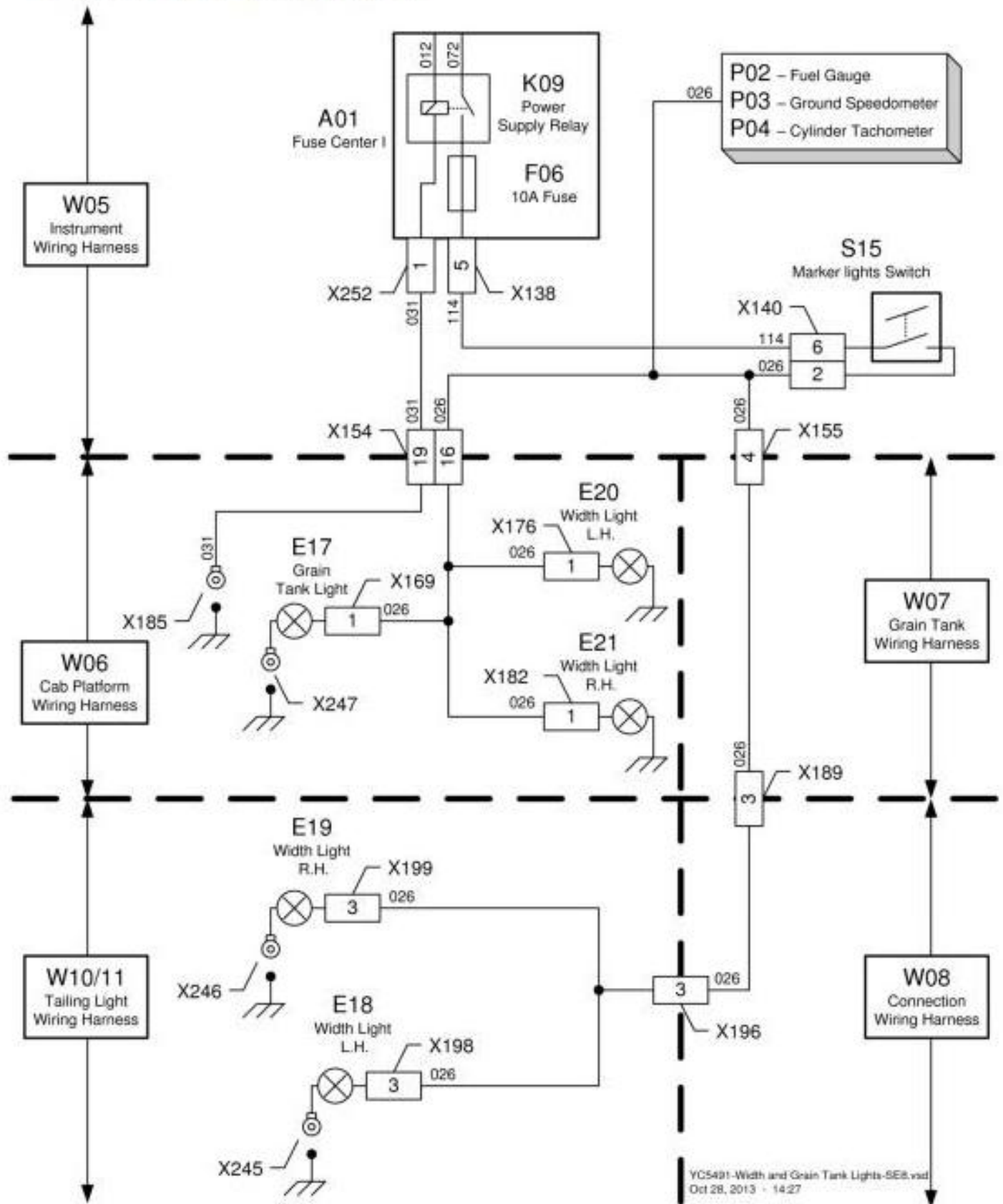
In this manual you will find detailed specifications, illustrations, schematics, diagrams and step-by-step procedures to properly service and diagnose the machine to the manufacturer's standards.

**Contents:**

- General Information
- Specifications
- Serial Number Location
- Engine Specifications
- Engine Diagnostics
- Engine Tests and Adjustments
- Engine Repair
- Power Train
- Transmission
- Axles
- Differential
- PTO
- Hydraulic System
- Electrical System
- Electrical Tests and Diagnostics
- Wiring Diagram / Schematic
- Ignition and Charging
- Steering
- Brakes
- Wheels
- Operator's Platform
- Body Panels
- Disassembly and Assembly
- Diagnostics, Tests and Adjustments
- Troubleshooting
- and much more...

Please note this manual is in **downloadable PDF format only**. If you have any questions about this product or would like to request sample pages, please contact us and reference the product name or SKU.

# Width and Grain Tank Lights



YC5491-Width and Grain Tank Lights-SE8.vsd  
Oct 28, 2013 - 14:27

## Width and Grain Tank Lights

### LEGEND:

- A01 Fuse Center One
- E17 Grain Tank Light
- E18 Left-Hand Side Rear Width Light



Thank you very much  
for your reading.  
Please click here  
to get more information.