

John Deere 220DW Wheeled Excavator Diagnostic, Operation and Test Service Manual (tm10544)

220DW Wheeled Excavator Diagnostic

OPERATION AND TEST MANUAL

Wheeled models 220DW

TM10544 11SEP15 (ENGLISH)

For complete service information also see:

JDLink (MTG) Technical Manual	TM114519
220DW Wheeled Excavator Repair	TM10545
Alternators and Starting Motors	CTM77
Super Caddy Oil Cleanup Procedure	CTM310
JDLink/ZXLink Machine Monitoring System	CTM10006



John Deere Construction and Forestry

Type: Service Manual

Language: English

Pages: 1431

Format: PDF

Features: Bookmarked, searchable, printable

Compatibility: Windows/Mac/Tablet/Mobile

This service manual contains important information for the maintenance, troubleshooting and servicing of the **John Deere 220DW Wheeled Excavator Diagnostic, Operation and Test Service Manual (tm10544)**

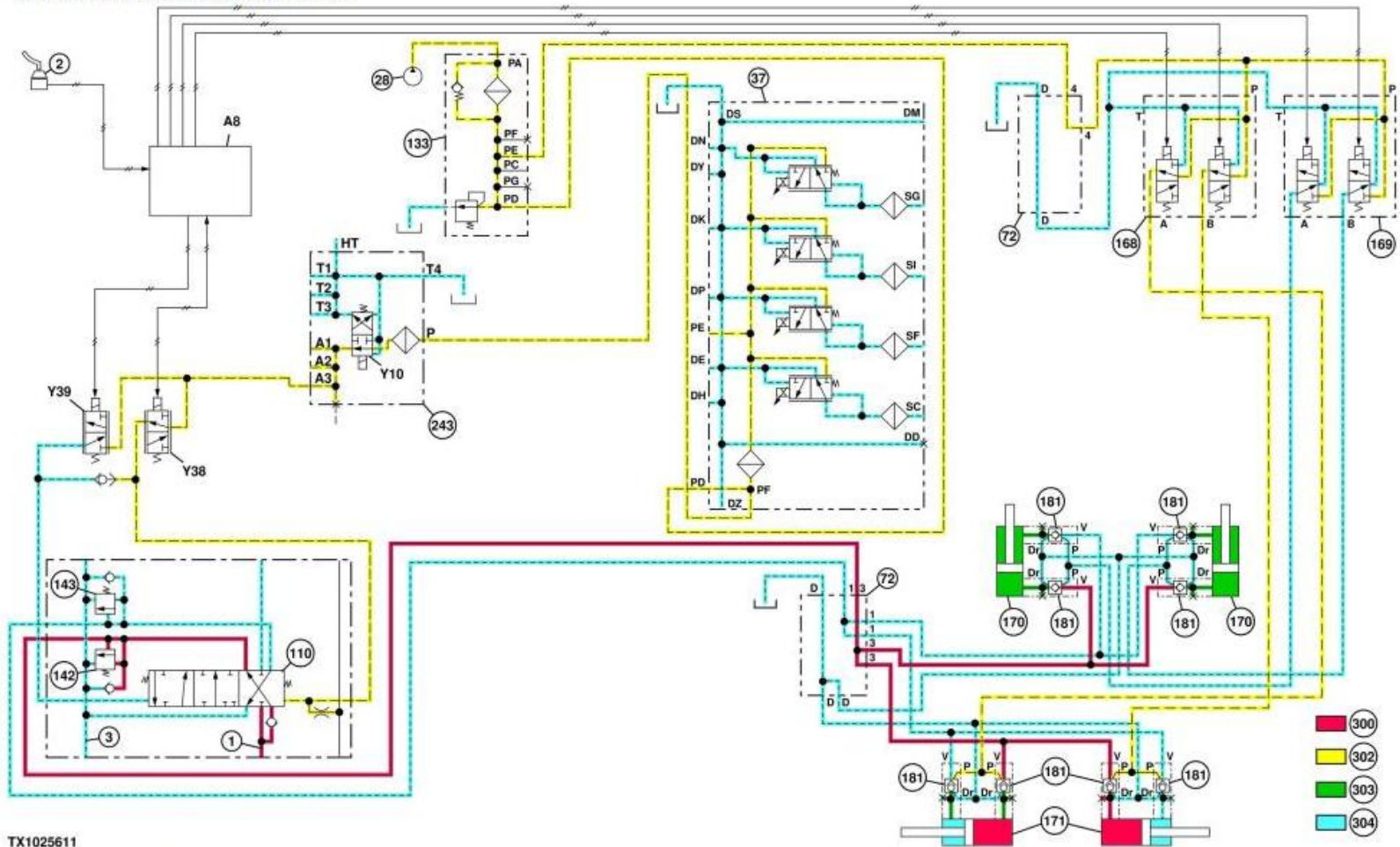
In this manual you will find detailed specifications, illustrations, schematics, diagrams and step-by-step procedures to properly service and diagnose the machine to the manufacturer's standards.

Contents:

- General Information
- Specifications
- Serial Number Location
- Engine Specifications
- Engine Diagnostics
- Engine Tests and Adjustments
- Engine Repair
- Power Train
- Transmission
- Axles
- Differential
- PTO
- Hydraulic System
- Electrical System
- Electrical Tests and Diagnostics
- Wiring Diagram / Schematic
- Ignition and Charging
- Steering
- Brakes
- Wheels
- Operator's Platform
- Body Panels
- Disassembly and Assembly
- Diagnostics, Tests and Adjustments
- Troubleshooting
- and much more...

Please note this manual is in **downloadable PDF format only**. If you have any questions about this product or would like to request sample pages, please contact us and reference the product name or SKU.

Blade and/or Outrigger System Diagram and Operation



TX1025611
Blade and/or Outrigger Circuit Operation



Thank you very much
for your reading.
Please click here
to get more information.