


# John Deere 244K, 244K-II, 324K Compact Loader Diagnostic, Operation&Test Service Manual (TM13278X19)

244K, 244K-II and 324K  
Compact Loaders  
Diagnostic





**OPERATION AND TEST MANUAL**

244K (SN. B034088-044118) , 244K-II (SN. B042870-), 324K (SN. B034182-  
)


TM13278X19 04 MAR 16 (ENGLISH)

For complete service information also see:

244K and 324K Loader Repair	TM13279X19
JDLINK (MTG) Technical Manual	TM114519
4TNV98C and 4TNV98CT Diesel Engines(Final Tier 4/Stage IV platform)	CTM120319
Hydrostatic Pump	CTM10078X19

**PDF**  **DOWNLOAD** 

John Deere Commercial Worksite Products  
Printed by Belgreen



TM13278X19

**Covers:** 244K,1LU244K\*\*\*B034088-044118),244K-II,1LU244KT\*\*B04287

**Type:** Service Manual

**Language:** English

**Pages:** 618

**Format:** PDF

**Features:** Bookmarked, searchable, printable

**Compatibility:** Windows/Mac/Tablet/Mobile

This service manual contains important information for the maintenance, troubleshooting and servicing of the **John Deere 244K, 244K-II, 324K Compact Loader Diagnostic, Operation&Test Service Manual (TM13278X19)**

In this manual you will find detailed specifications, illustrations, schematics, diagrams and step-by-step procedures to properly service and diagnose the machine to the manufacturer's standards.

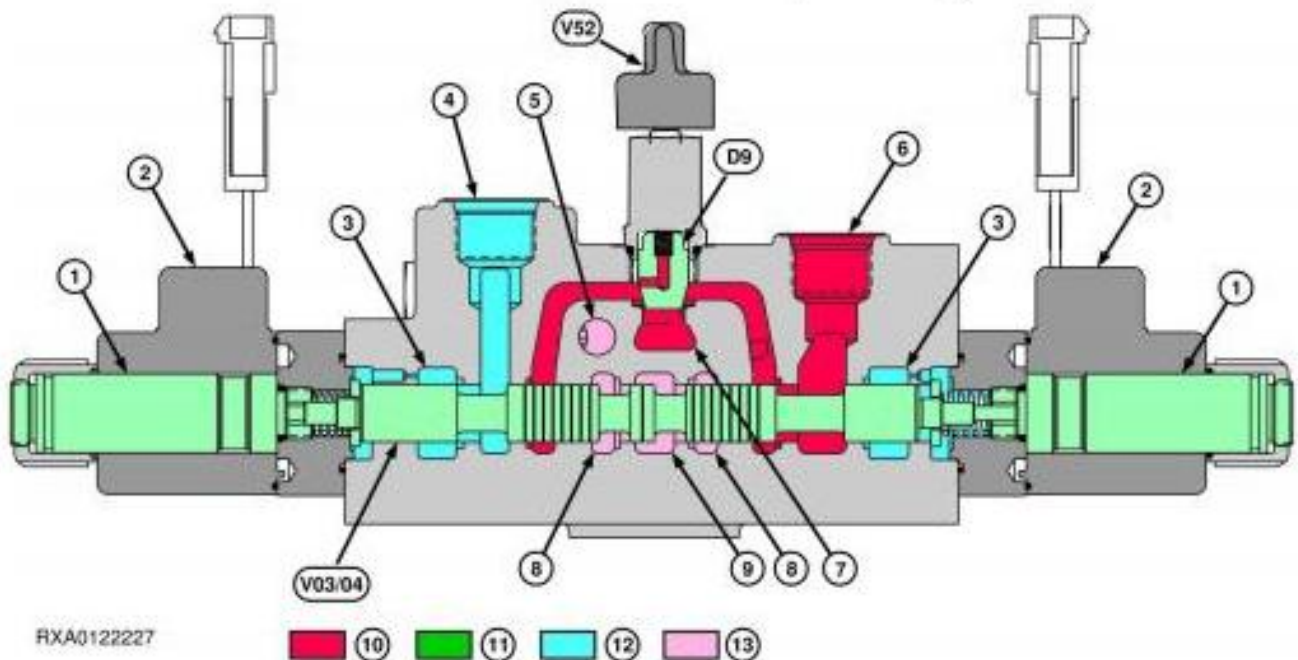
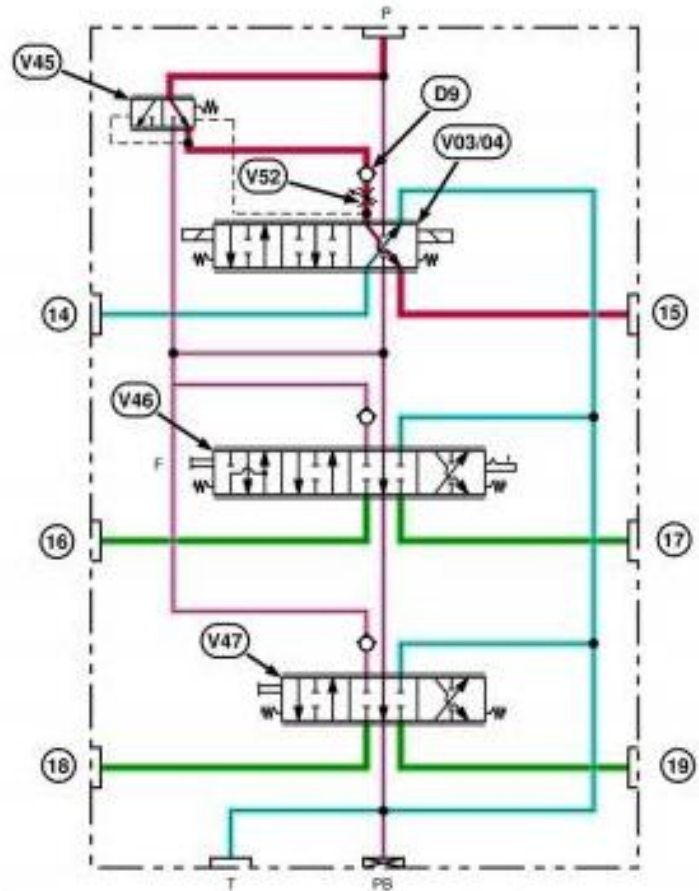
**Contents:**

- General Information
- Specifications
- Serial Number Location
- Engine Specifications
- Engine Diagnostics
- Engine Tests and Adjustments
- Engine Repair
- Power Train
- Transmission
- Axles
- Differential
- PTO
- Hydraulic System
- Electrical System
- Electrical Tests and Diagnostics
- Wiring Diagram / Schematic
- Ignition and Charging
- Steering
- Brakes
- Wheels
- Operator's Platform
- Body Panels
- Disassembly and Assembly
- Diagnostics, Tests and Adjustments
- Troubleshooting
- and much more...

Please note this manual is in **downloadable PDF format only**. If you have any questions about this product or would like to request sample pages, please contact us and reference the product name or SKU.

## Group 20DE - Triple Mid-Mount SCV Theory of Operation

### Hydraulics - Triple Mid-Mount SCV Extend and Retract Operation



RXA0122227

- 10
- 11
- 12
- 13



Thank you very much  
for your reading.  
Please click here  
to get more information.