



# John Deere 245GLC (SN.from F800001) Excavator Operation & Test Technical Service Manual (TM14057X19)

John Deere Agriculture


6120, 6220, 6320, 6420, 6120L, 6220L, 6320L,  
6420L & 6520L Tractors Operation and Tests

**DIAGNOSIS AND TESTS SERVICE  
MANUAL**

6120, 6220, 6320, 6420, 6120L, 6220L, 6320L,  
6420L, 6520L (North American models)

**PDF**  **DOWNLOAD** 

tm4646, March 2006



Covers: 245GLC,1FF245GX\_,\_F800001 (7 icons)

**Type:** Service Manual

**Language:** English

**Pages:** 683

**Format:** PDF

**Features:** Bookmarked, searchable, printable

**Compatibility:** Windows/Mac/Tablet/Mobile

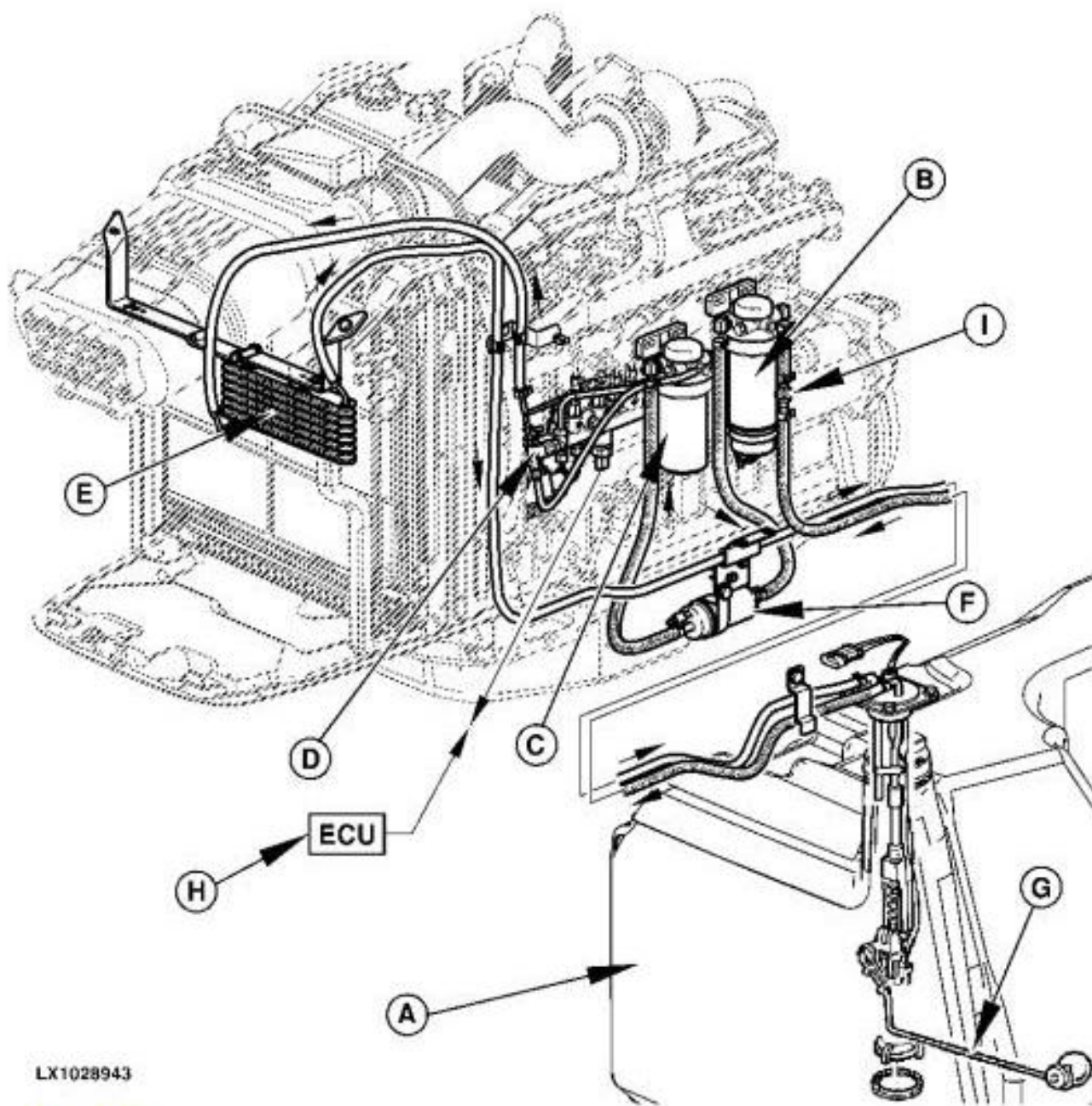
This service manual contains important information for the maintenance, troubleshooting and servicing of the **John Deere 245GLC (SN.from F800001) Excavator Operation & Test Technical Service Manual (TM14057X19)**

In this manual you will find detailed specifications, illustrations, schematics, diagrams and step-by-step procedures to properly service and diagnose the machine to the manufacturer's standards.

**Contents:**

- General Information
- Specifications
- Serial Number Location
- Engine Specifications
- Engine Diagnostics
- Engine Tests and Adjustments
- Engine Repair
- Power Train
- Transmission
- Axles
- Differential
- PTO
- Hydraulic System
- Electrical System
- Electrical Tests and Diagnostics
- Wiring Diagram / Schematic
- Ignition and Charging
- Steering
- Brakes
- Wheels
- Operator's Platform
- Body Panels
- Disassembly and Assembly
- Diagnostics, Tests and Adjustments
- Troubleshooting
- and much more...

Please note this manual is in **downloadable PDF format only**. If you have any questions about this product or would like to request sample pages, please contact us and reference the product name or SKU.



LX1028943

**LEGEND:**

- |   |                     |
|---|---------------------|
| A | Fuel tank           |
| B | Primary fuel filter |
| C | Fuel filter         |
| D | High pressure pump  |
| E | Fuel cooler         |
| F | Fuel transfer pump  |
| G | Fuel gauge sender   |
| H | Control unit        |
| I | Check valve         |

The fuel system consists of fuel tank (A), fuel gauge sending unit (G), primary fuel filter (B), fuel filter (C), high pressure pump (D), fuel cooler (E), fuel transfer pump (F) and control unit (H).



Thank you very much  
for your reading.  
Please click here  
to get more information.