

John Deere 250D, 300D Ser.2 Dump Truck (SN.from C642001) Diagnostic & Test Service Manual (TM12403)

670GLC Excavator Diagnostic

OPERATION AND TEST MANUAL
670GLC with Engine 6WG1XZSA-02
TM12175 01NOV15 (ENGLISH)

For complete service information also see:

670GLC Excavator (PIN: 1FF670GX_ _E670001-)	TM12181
JDLink (MTG) Technical Manual	TM114519



John Deere Construction and Forestry

Covers: 250D,1DW250DX**C642001-),300D,1DW300DX**C642001-)

Type: Service Manual

Language: English

Pages: 1198

Format: PDF

Features: Bookmarked, searchable, printable

Compatibility: Windows/Mac/Tablet/Mobile

This service manual contains important information for the maintenance, troubleshooting and servicing of the **John Deere 250D, 300D Ser.2 Dump Truck (SN.from C642001) Diagnostic & Test Service Manual (TM12403)**

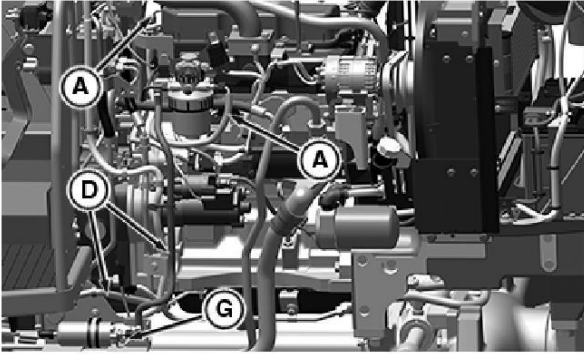
In this manual you will find detailed specifications, illustrations, schematics, diagrams and step-by-step procedures to properly service and diagnose the machine to the manufacturer's standards.

Contents:

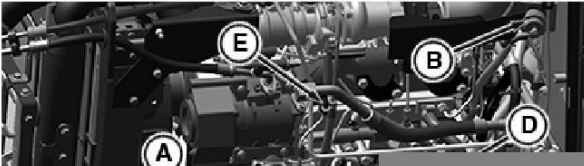
- General Information
- Specifications
- Serial Number Location
- Engine Specifications
- Engine Diagnostics
- Engine Tests and Adjustments
- Engine Repair
- Power Train
- Transmission
- Axles
- Differential
- PTO
- Hydraulic System
- Electrical System
- Electrical Tests and Diagnostics
- Wiring Diagram / Schematic
- Ignition and Charging
- Steering
- Brakes
- Wheels
- Operator's Platform
- Body Panels
- Disassembly and Assembly
- Diagnostics, Tests and Adjustments
- Troubleshooting
- and much more...

Please note this manual is in **downloadable PDF format only**. If you have any questions about this product or would like to request sample pages, please contact us and reference the product name or SKU.

Clutch Housing



21. PY33114-UN: 5050E IOOS and CAB



22. **For Cab Tractors:** Connect A/C compressor connector (E) and Ground terminal (F).
23. Connect engine harness to front harness connector (B). Identify, label, and Connect to front engine harness.
24. Identify, label, and connect engine control unit (C).
25. Connect wiring harness fuel pump connector (G) and throttle connector (H).
26. Bleed fuel system. (Refer 'PowerTech™ 2.9L Diesel Engines' CTM.)
27. Install dash panels.
28. Install exhaust. (See [Service Exhaust System, Stage III](#) [Service Exhaust System, Stage III Bin Section 30](#), Group 15.)
29. Install tool box and side grille panels.
30. Connect battery negative (—) cable to battery.
31. Install hood. (See [Remove and Install Hood](#) in Section 80, Group 25.)



Thank you very much
for your reading.
Please click here
to get more information.