

John Deere 260E, 310E Articulated Dump Truck (SN. D677827-) Diagnostic Technical Manual (TM13843X19)

60G Excavator (SN. from J285001—)



REPAIR TECHNICAL MANUAL
FT4 models 60G (PIN: 1FF060GXJ285001—)**
TM12882 14 SEP 15 (ENGLISH)

For complete service information also see:
60G Excavator (SN. from J285001) Repair TM12879



DOWNLOAD



John Deere Construction and Forestry
Printed by Belgreen



TM12882

Covers: 260E,1DW260EX_,_D677827(???)?,310E,1DW310EX_,_D677827

Type: Service Manual

Language: English

Pages: 1029

Format: PDF

Features: Bookmarked, searchable, printable

Compatibility: Windows/Mac/Tablet/Mobile

This service manual contains important information for the maintenance, troubleshooting and servicing of the **John Deere 260E, 310E Articulated Dump Truck (SN. D677827-) Diagnostic Technical Manual (TM13843X19)**

In this manual you will find detailed specifications, illustrations, schematics, diagrams and step-by-step procedures to properly service and diagnose the machine to the manufacturer's standards.

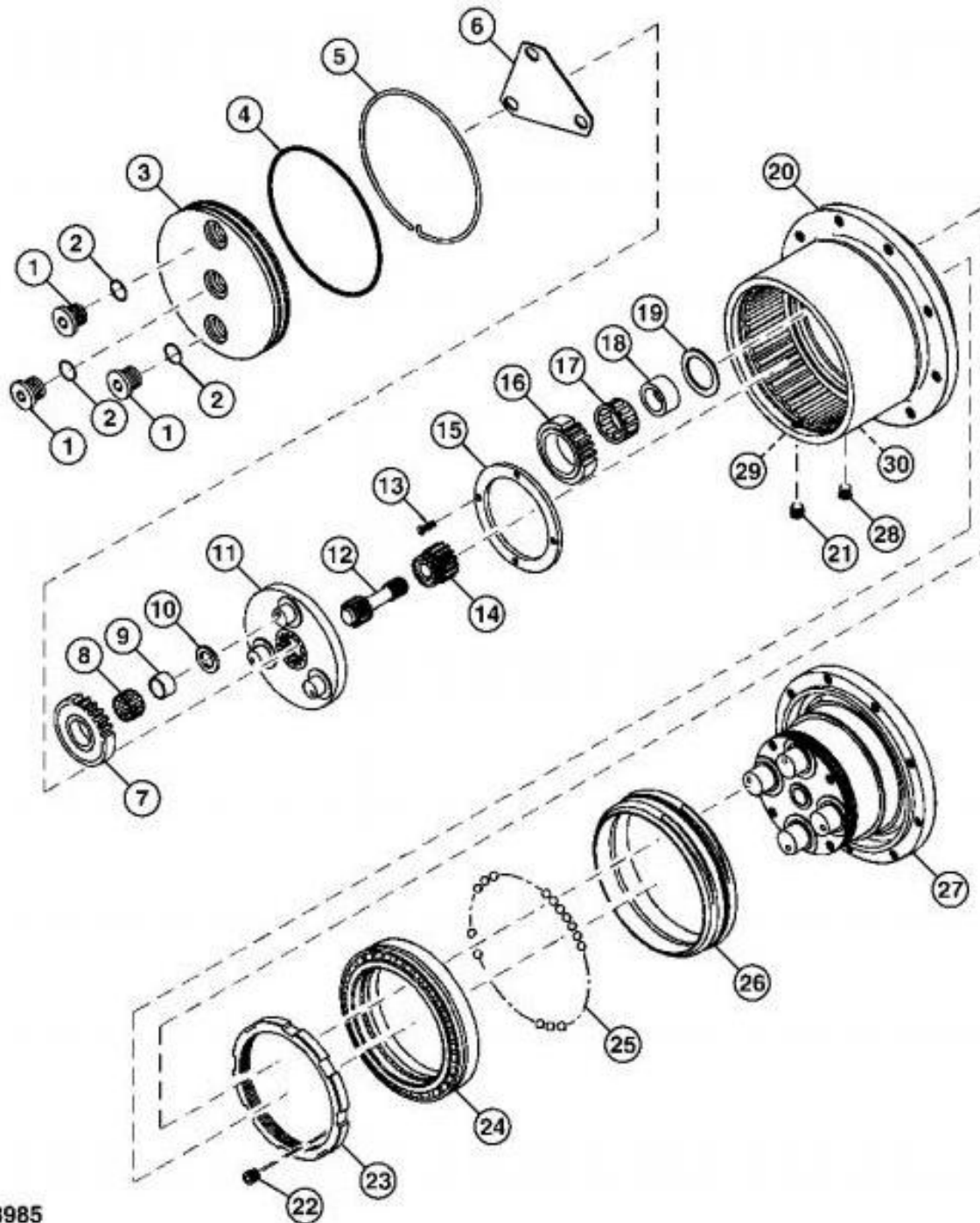
Contents:

- General Information
- Specifications
- Serial Number Location
- Engine Specifications
- Engine Diagnostics
- Engine Tests and Adjustments
- Engine Repair
- Power Train
- Transmission
- Axles
- Differential
- PTO
- Hydraulic System
- Electrical System
- Electrical Tests and Diagnostics
- Wiring Diagram / Schematic
- Ignition and Charging
- Steering
- Brakes
- Wheels
- Operator's Platform
- Body Panels
- Disassembly and Assembly
- Diagnostics, Tests and Adjustments
- Troubleshooting
- and much more...

Please note this manual is in **downloadable PDF format only**. If you have any questions about this product or would like to request sample pages, please contact us and reference the product name or SKU.

Travel Gear Case Disassemble and Assemble

Disassemble Travel Gear Case



TX1133985

Travel Gear Case Exploded View

LEGEND:

- | | |
|----|-------------------------------------|
| 1 | Plug (3 used) |
| 2 | O-Ring (3 used) |
| 3 | Cover |
| 4 | O-Ring |
| 5 | Wire Retainer |
| 6 | Thrust Plate |
| 7 | First Stage Planetary Gear (3 used) |
| 8 | Needle Bearing (3 used) |
| 9 | Bearing Race (3 used) |
| 10 | Thrust Washer (3 used) |
| 11 | First Stage Planetary Carrier |



Thank you very much
for your reading.
Please click here
to get more information.