

John Deere 2954D Log Loader Service Repair Technical Manual (TM10407)

624KR Loader Repair



REPAIR TECHNICAL MANUAL

4WD Loaders models 624KR

TM10693 04 MAR 16 (ENGLISH)

For complete service information also see:

JDLINK (MTG) Technical Manual	TM114519
624KR Loader Diagnostic	TM10692
TMIV1200 - 1400 Series Inboard Planetary Axles	CTM442
PowerTech 4045, 6068 Diesel Engine Level 1 Electronic Fuel System with the Denso High Pressure Common Rail Fuel System and ECU	CTM320
Super Caddy Oil Cooler	
120 Series Hydraulic Cylinders	
185 Series Hydraulic Cylinders	
120 Series Hydraulic Cylinders	
125 Series Hydraulic Cylinders	CTM109319
PowerTech 4.5L & 6.8L Diesel Engines Tier 1/Stage I, Tier 2/Stage II, Tier 3/Stage IIIA, Tier 3/Stage IIA Tier 3/Stage III, (Base Engine)	CTM104



DOWNLOAD



John Deere Construction and Forestry
Printed by Belgreen



TM10693

Covers: 2954D

Type: Service Manual

Language: English

Pages: 417

Format: PDF

Features: Bookmarked, searchable, printable

Compatibility: Windows/Mac/Tablet/Mobile

This service manual contains important information for the maintenance, troubleshooting and servicing of the **John Deere 2954D Log Loader Service Repair Technical Manual (TM10407)**

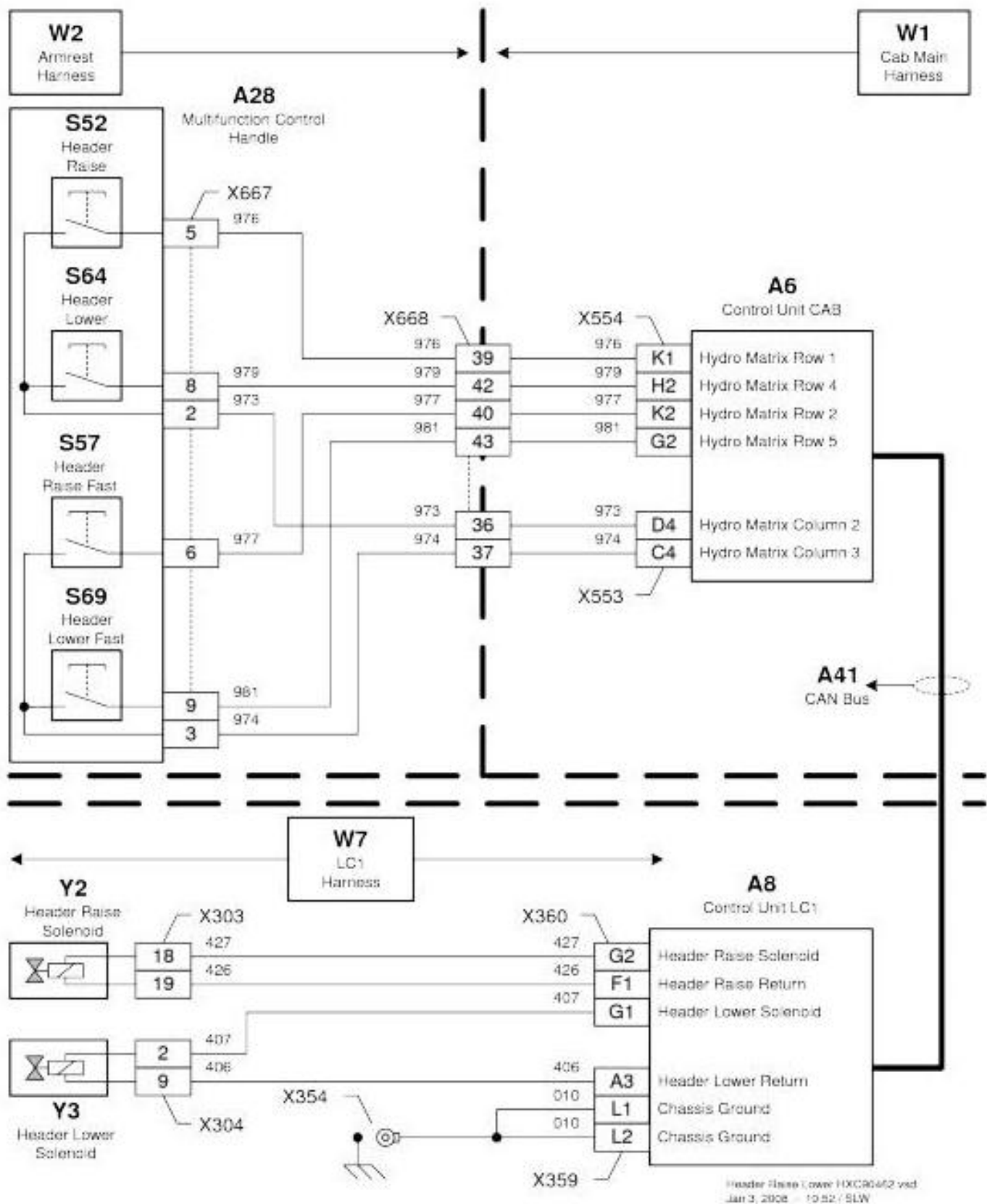
In this manual you will find detailed specifications, illustrations, schematics, diagrams and step-by-step procedures to properly service and diagnose the machine to the manufacturer's standards.

Contents:

- General Information
- Specifications
- Serial Number Location
- Engine Specifications
- Engine Diagnostics
- Engine Tests and Adjustments
- Engine Repair
- Power Train
- Transmission
- Axles
- Differential
- PTO
- Hydraulic System
- Electrical System
- Electrical Tests and Diagnostics
- Wiring Diagram / Schematic
- Ignition and Charging
- Steering
- Brakes
- Wheels
- Operator's Platform
- Body Panels
- Disassembly and Assembly
- Diagnostics, Tests and Adjustments
- Troubleshooting
- and much more...

Please note this manual is in **downloadable PDF format only**. If you have any questions about this product or would like to request sample pages, please contact us and reference the product name or SKU.

Schematic



Electrical Schematic

LEGEND:

- A6 Control Unit CAB
- A8 Control Unit LC1
- A28 Multifunction Control Handle



Thank you very much
for your reading.
Please click here
to get more information.