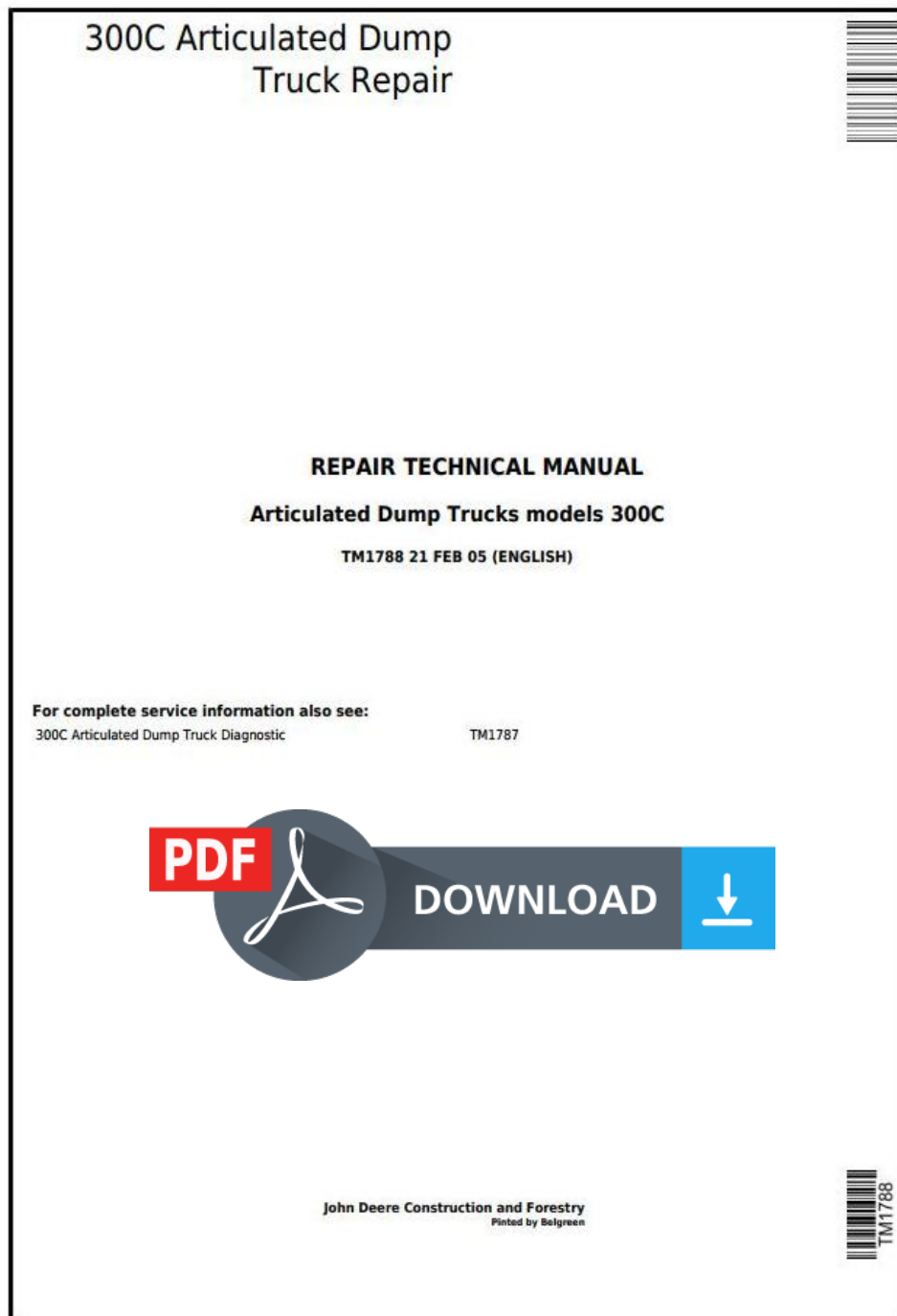


# John Deere 300C Articulated Dump Truck Service Repair Technical Manual (tm1788)



**Covers:** 300C

**Type:** Service Manual

**Language:** English

**Pages:** 797

**Format:** PDF

**Features:** Bookmarked, searchable, printable

**Compatibility:** Windows/Mac/Tablet/Mobile

This service manual contains important information for the maintenance, troubleshooting and servicing of the **John Deere 300C Articulated Dump Truck Service Repair Technical Manual (tm1788)**

In this manual you will find detailed specifications, illustrations, schematics, diagrams and step-by-step procedures to properly service and diagnose the machine to the manufacturer's standards.

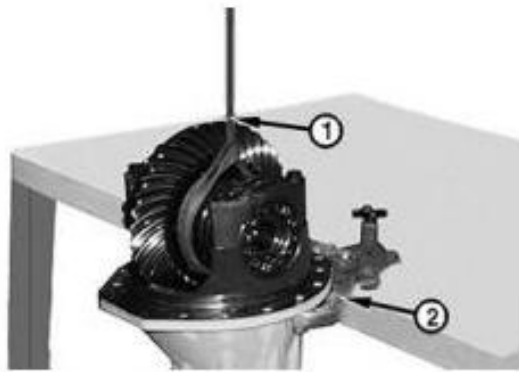
**Contents:**

- General Information
- Specifications
- Serial Number Location
- Engine Specifications
- Engine Diagnostics
- Engine Tests and Adjustments
- Engine Repair
- Power Train
- Transmission
- Axles
- Differential
- PTO
- Hydraulic System
- Electrical System
- Electrical Tests and Diagnostics
- Wiring Diagram / Schematic
- Ignition and Charging
- Steering
- Brakes
- Wheels
- Operator's Platform
- Body Panels
- Disassembly and Assembly
- Diagnostics, Tests and Adjustments
- Troubleshooting
- and much more...

Please note this manual is in **downloadable PDF format only**. If you have any questions about this product or would like to request sample pages, please contact us and reference the product name or SKU.

## Disassemble and Assemble Front or Rear Axle Differentials

[1] -



**LEGEND:**

- 1 Lifting Strap
- 2 D01006AA Bench Mount Fixture

**Bench Mounting Fixture**

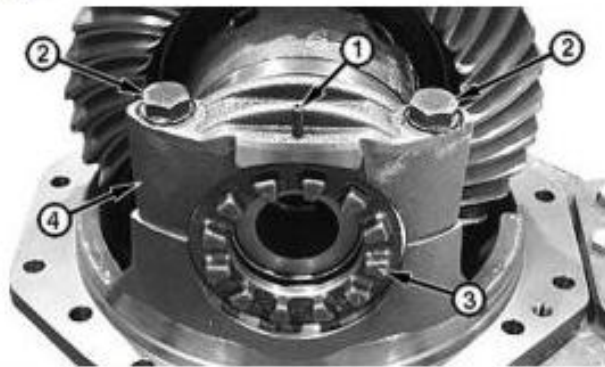
Attach D01006AA Bench Mount Fixture (2) to housing and lock in bench mount.

Bench Mount Fixture

D01006AA

Mount differential housing to work bench for disassembly and assembly.

[2] -



**LEGEND:**

- 1 Lock Pin
- 2 Cap Screw and Washer (4 used)
- 3 Adjuster Nut (2 used)
- 4 Bearing Cap (2 used)

**Unlocked Position (Shown)**

Mark locations of bearing caps (4).

[3] - Loosen cap screws (2), remove lock pin (1), and loosen adjuster nuts (3) with JDG1278 Axle Spanner Nut Wrench.

Axle Spanner Nut Wrench

JDG1278

Adjust differential carrier bearing nuts.

[4] - Remove cap screws and washers, adjuster nuts, and bearing caps.

[5] -



**Lifting Carrier**

Remove carrier with lifting strap.



Thank you very much  
for your reading.  
Please click here  
to get more information.