

John Deere 310K Backhoe Loader (SN.from D219707;C219607) Diagnostic and Test Service Manual (TM12447)

643L Wheeled Feller
Buncher (SN. from
F666898) Diagnostic



OPERATION AND TEST MANUAL

Wheeled models 643L (PIN: 1DW643L***F666898—)

TM13125X19 05 OCT 15 (ENGLISH)

For complete service information also see:

FD45 DRIVE TO TREE DISC SAW FELLING HEAD	TMF386946
643L Wheeled Feller Buncher (PIN: 1DW643L__F666898-) Repair	TM13126X19
JDLink (MTG) Technical Manual	TM114519
FD22B, FS22B, FR22B, FR24B Disc Saw Felling Heads	TM10110
TMIV1200 - 1400	CTM442
PowerTech 4045, Denso High Press	
TeamMate II 1400 Series Inb	
120 Series Hydraulic Cylinders	
PowerTech 6068 OEM Diesel Eng (Stage IV platform) Level 33 ECU	CTM120019
FD55 Disk Saw Felling Head	CTM10061

PDF



DOWNLOAD



John Deere Construction and Forestry
Printed by Belgreen



TM13125X19

Covers: 310K,(PIN:1T0310KX**D219707-;;1T0310KX**C219607-)

Type: Service Manual

Language: English

Pages: 874

Format: PDF

Features: Bookmarked, searchable, printable

Compatibility: Windows/Mac/Tablet/Mobile

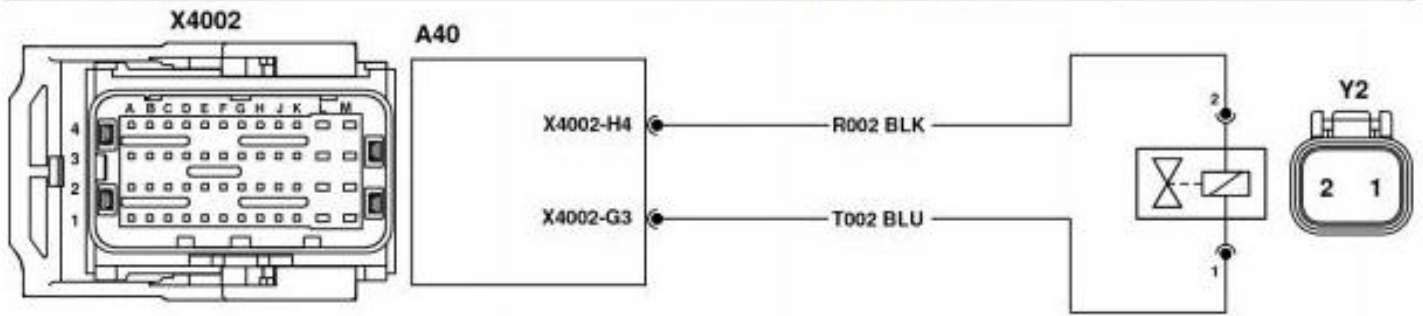
This service manual contains important information for the maintenance, troubleshooting and servicing of the **John Deere 310K Backhoe Loader (SN.from D219707;C219607) Diagnostic and Test Service Manual (TM12447)**

In this manual you will find detailed specifications, illustrations, schematics, diagrams and step-by-step procedures to properly service and diagnose the machine to the manufacturer's standards.

Contents:

- General Information
- Specifications
- Serial Number Location
- Engine Specifications
- Engine Diagnostics
- Engine Tests and Adjustments
- Engine Repair
- Power Train
- Transmission
- Axles
- Differential
- PTO
- Hydraulic System
- Electrical System
- Electrical Tests and Diagnostics
- Wiring Diagram / Schematic
- Ignition and Charging
- Steering
- Brakes
- Wheels
- Operator's Platform
- Body Panels
- Disassembly and Assembly
- Diagnostics, Tests and Adjustments
- Troubleshooting
- and much more...

Please note this manual is in **downloadable PDF format only**. If you have any questions about this product or would like to request sample pages, please contact us and reference the product name or SKU.



TX1176977

Hydrostatic Pump Solenoid (Y2) Forward Circuit Schematic**LEGEND:**

A40	Transmission Control Unit (TCU)
X4002	Transmission Control Unit (TCU) Connector 2
X4002—G3	Supply
X4002—H4	Return
Y2	Hydrostatic Pump Solenoid

Alarm Level:

- Service Required Indicator

Machine Response:

- None

Circuit Information:

- [See Transmission Control Unit \(TCU\) Circuit Theory of Operation](#). (Group 9015-05.)

Component Location:

- [See Engine Frame Harness \(W1\) Component Location](#). (Group 9015-10.)

Diagnostic Test Box Information:

- Not Applicable

Additional References:

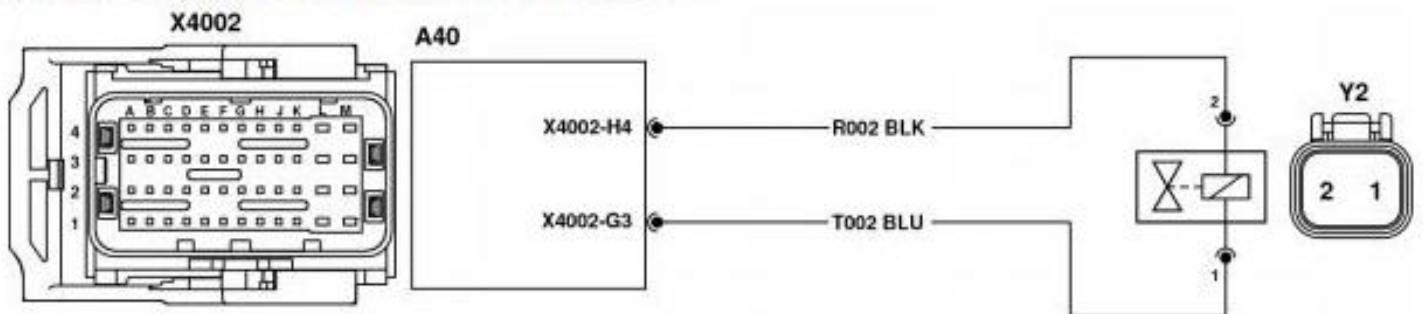
- Intermittent DTCs: [See Intermittent Diagnostic Trouble Code \(DTC\) Diagnostics](#). (Group 9015-15.)
- Service ADVISOR™ Remote: [See Using Service ADVISOR™ Remote](#). (Group 9015-15.)

Possible Causes:

1. Circuit is open.
2. Circuit is short to ground.
3. Component malfunction. [See Electrical Component Specifications](#). (Group 9015-25.)
4. Software malfunction. Program controller.

522873.06- HST Pump Forward Solenoid

⁴⁴
Hydrostatic pump solenoid (Y2) forward circuit is short to power.



TX1176977

Hydrostatic Pump Solenoid (Y2) Forward Circuit Schematic



Thank you very much
for your reading.
Please click here
to get more information.