

# John Deere 310L Backhoe Loader (SN. from 273920) Diagnostic Operation and Test Manual (TM13291X19)

844K Series II 4WD Loader  
(SN. from F664098)  
Diagnostic



## OPERATION AND TEST MANUAL

4WD Loaders models 844K-II (PIN: 1DW844K\*\*\*F664098-)

TM13222X19 22 FEB 16 (ENGLISH)

**For complete service information also see:**

844K Series II 4WD Loader (SN. from F664098) Repair	TM13228X19
JDLINK (MTG) Technical Manual	TM114519
120 Series Hydraulic Cylinders	CTM120519
6135 PowerTech Diesel Engine (Final Tier 4 Stage IV platform) Level 32 ECU	CTM119919



John Deere Construction and Forestry  
Printed by Belgreen



**Covers:** 310L,1T0310LX\*\*C273920-;,1T0310LX\*\*D273920-)

**Type:** Service Manual

**Language:** English

**Pages:** 899

**Format:** PDF

**Features:** Bookmarked, searchable, printable

**Compatibility:** Windows/Mac/Tablet/Mobile

This service manual contains important information for the maintenance, troubleshooting and servicing of the **John Deere 310L Backhoe Loader (SN. from 273920) Diagnostic Operation and Test Manual (TM13291X19)**

In this manual you will find detailed specifications, illustrations, schematics, diagrams and step-by-step procedures to properly service and diagnose the machine to the manufacturer's standards.

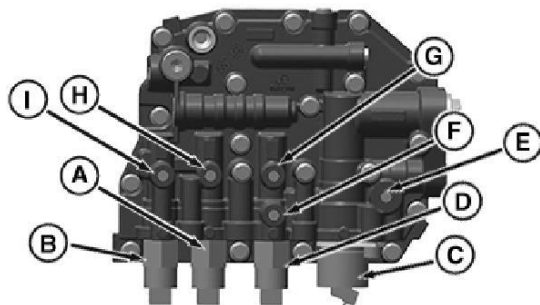
**Contents:**

- General Information
- Specifications
- Serial Number Location
- Engine Specifications
- Engine Diagnostics
- Engine Tests and Adjustments
- Engine Repair
- Power Train
- Transmission
- Axles
- Differential
- PTO
- Hydraulic System
- Electrical System
- Electrical Tests and Diagnostics
- Wiring Diagram / Schematic
- Ignition and Charging
- Steering
- Brakes
- Wheels
- Operator's Platform
- Body Panels
- Disassembly and Assembly
- Diagnostics, Tests and Adjustments
- Troubleshooting
- and much more...

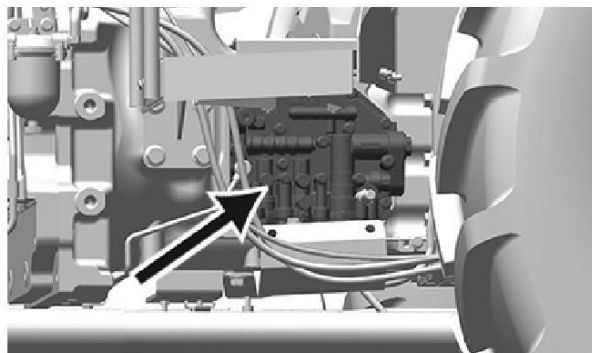
Please note this manual is in **downloadable PDF format only**. If you have any questions about this product or would like to request sample pages, please contact us and reference the product name or SKU.

### G13 PR Plus Control Valve

PY21152-UN: Location



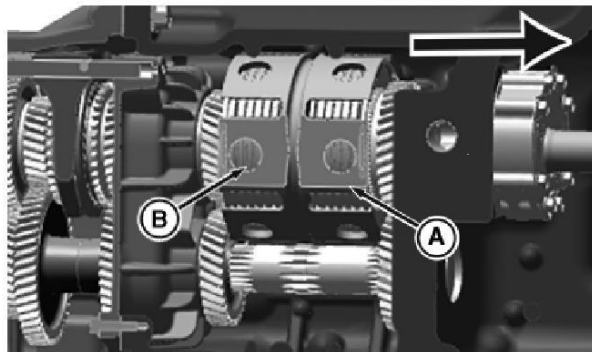
PY21157-UN: G13 PR Plus Control Valve (SJ11710)



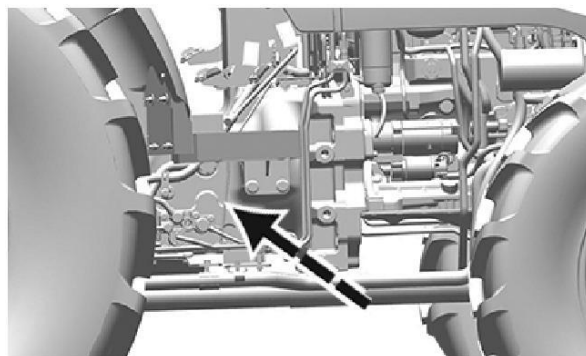
<b>Schematic Section:</b>	<a href="#">Drivetrain Hydraulic Schematic — PR Plus</a>
<b>Theory</b>	Refer '12x12 And 24x12 PowrReverser™ Transmission - John Deere Pune Works' CTM
<b>Test</b>	<a href="#">Drivetrain — Tests and Adjustments</a>
<b>Specification</b>	—
<b>Terminal</b>	<b>Function</b>
A	<a href="#">Y05 Forward/Forward Low Solenoid</a>
B	<a href="#">Y06 Reverse Solenoid</a>
C	<a href="#">Y07 Enable Proportional Valve Solenoid</a>
D	<a href="#">Y09 Forward High Solenoid</a>
E	X2 PR Lubrication Test Port
F	X1 PR Pump Pressure Test Port
G	X4 Forward High Clutch Pressure
H	X3 Forward/Forward Low Clutch Pressure
I	X5 Reverse Clutch Pressure

SM27053,0000257-19-20160622

### G14 PR Clutch Pack



PY21155-UN: G14 PR Clutch Pack



PY21156-UN: Location

<b>Schematic Section:</b>	<a href="#">Drivetrain Hydraulic Schematic — PR</a>
<b>Theory</b>	Refer '12x12 And 24x12 PowrReverser™ Transmission - John Deere Pune Works' CTM
<b>Test</b>	<a href="#">Drivetrain — Tests and Adjustments</a>



Thank you very much  
for your reading.  
Please click here  
to get more information.