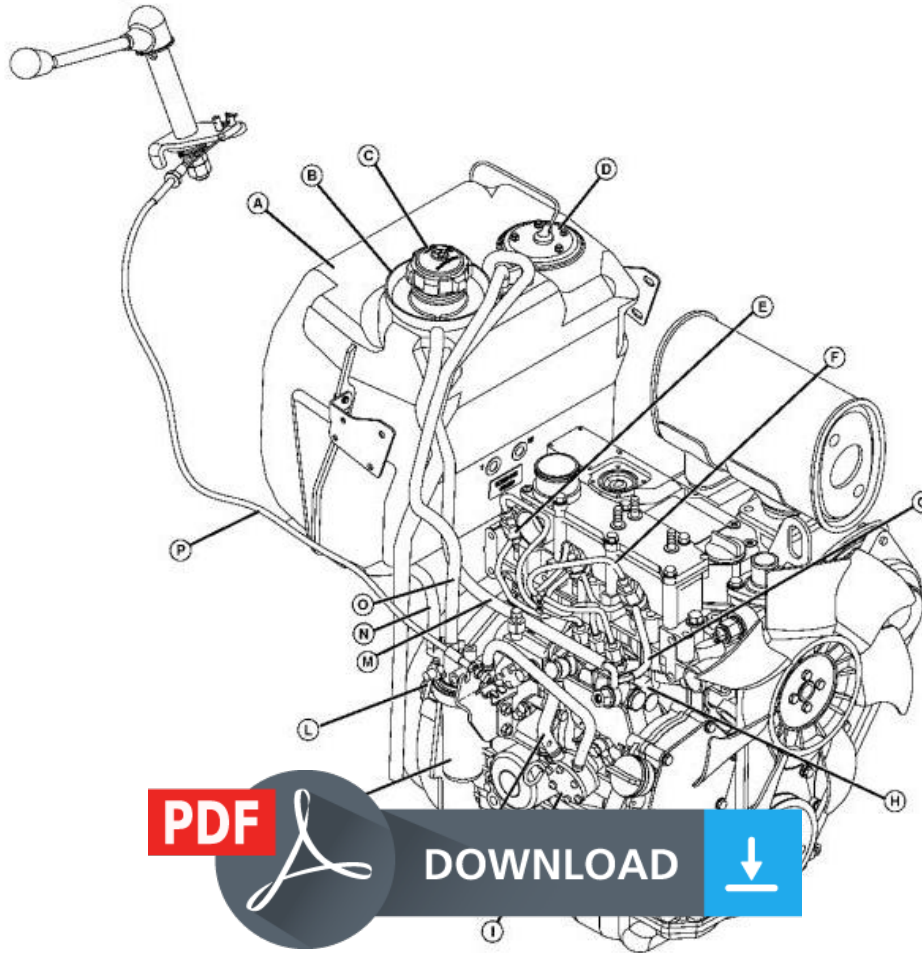


John Deere 310L EP Backhoe Loader (S.N.273920-329327) Service Repair Technical Manual (TM13290X19)

Section 30 - ENGINE - DIESEL

Group 15: Component Location

Fuel System



Fuel System Component Location.

LEGEND:

A	Fuel Tank
B	Fuel Filler Overflow Collar
C	Fuel Filler Cap
D	Fuel Lever Sensor
E	Fuel Injector
F	High Pressure Fuel Injector Lines
G	Fuel Injector Leak-Off Hose
H	Fuel Injector Pump
I	Fuel Pump
J	Injection Pump Fuel Supply Line
K	Fuel Filter

[← Go to Section TOC](#)

Section 30 page 23

TM2388-TECHNICAL MANUAL

Covers: 310L,1T0310EL**G273920-329327)

Type: Service Manual

Language: English

Pages: 728

Format: PDF

Features: Bookmarked, searchable, printable

Compatibility: Windows/Mac/Tablet/Mobile

This service manual contains important information for the maintenance, troubleshooting and servicing of the **John Deere 310L EP Backhoe Loader (S.N.273920-329327) Service Repair Technical Manual (TM13290X19)**

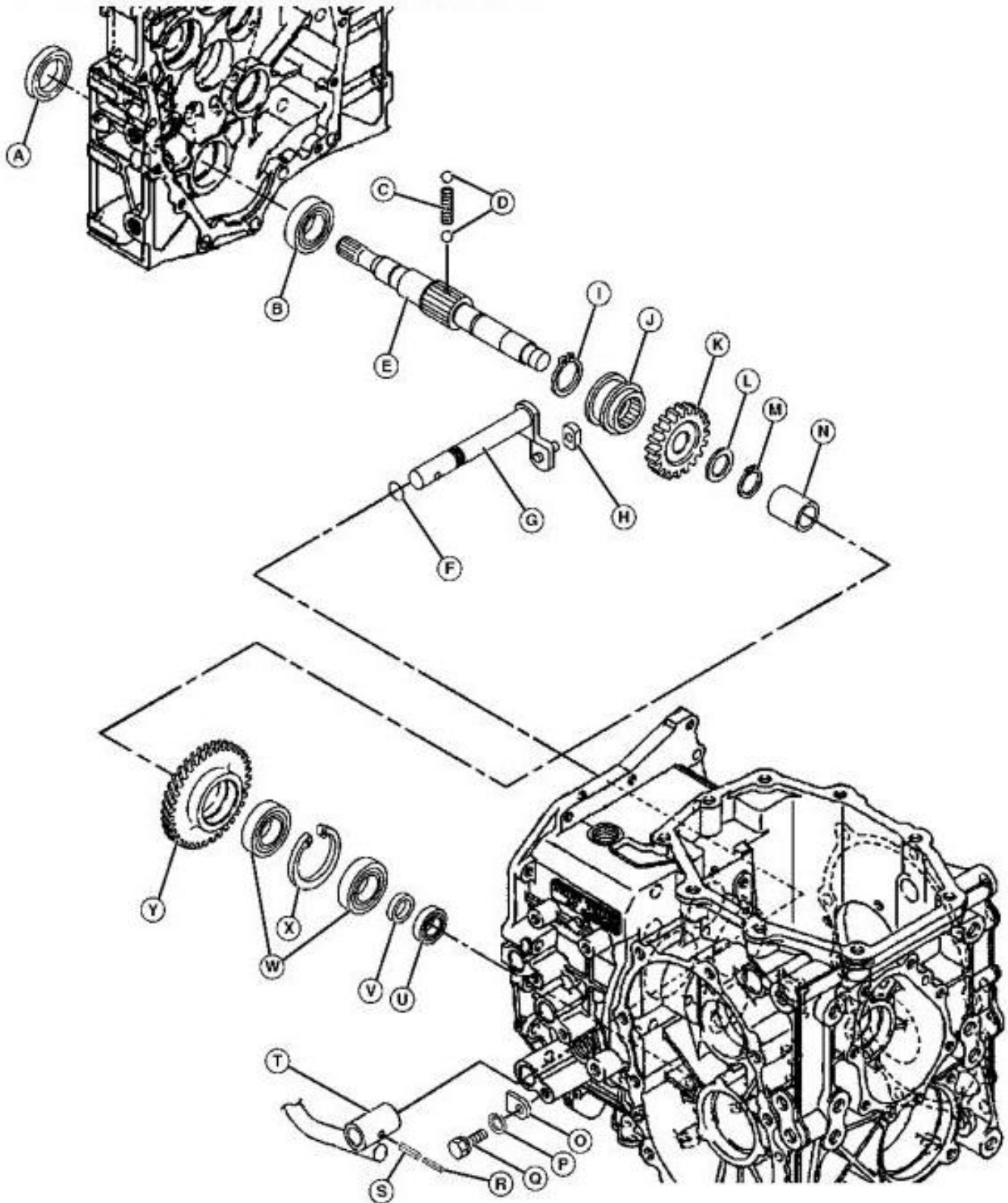
In this manual you will find detailed specifications, illustrations, schematics, diagrams and step-by-step procedures to properly service and diagnose the machine to the manufacturer's standards.

Contents:

- General Information
- Specifications
- Serial Number Location
- Engine Specifications
- Engine Diagnostics
- Engine Tests and Adjustments
- Engine Repair
- Power Train
- Transmission
- Axles
- Differential
- PTO
- Hydraulic System
- Electrical System
- Electrical Tests and Diagnostics
- Wiring Diagram / Schematic
- Ignition and Charging
- Steering
- Brakes
- Wheels
- Operator's Platform
- Body Panels
- Disassembly and Assembly
- Diagnostics, Tests and Adjustments
- Troubleshooting
- and much more...

Please note this manual is in **downloadable PDF format only**. If you have any questions about this product or would like to request sample pages, please contact us and reference the product name or SKU.

MFWD Front Drive Shaft Components



MFWD Front Drive Shaft Components

LEGEND:

A	Seal
B	Ball Bearing
C	Spring
D	Ball (2 used)
E	Shaft, Front Drive
F	O-Ring



Thank you very much
for your reading.
Please click here
to get more information.