


John Deere 3154G (SN. F310001-) Forestry Excavator Operation & Test Technical Manual (TM14025X19)



1770NT 24-Row Planter
Frame (Worldwide Edition)

JOHN HARE

COLLECTION

DIAGNOSIS AND TESTS MANUAL
Planters models 1770NT 24ROW (SN.740101-745000)
TM111619 01 MAY 15 (ENGLISH)

For complete service information also see:

1770NT and 1770NT CCS 24-Row Planter Repair	TM2128
SeedStar2 Seed Monitor SeedStar XP Enhanced Monitor, Pneumatic Down Force, Row Command and Variable Rate Diagnostic Technical Manual	TM111219
Central Insecticide System Repair Manual	TM101119
Machine Connect	CTM441
120 Series Hydraulic	
120 Series Hydraulic	
100 Series Hydraulic Cylinder	

PDF  **DOWNLOAD** 

John Deere Agriculture
Printed by Belgreen

TM111619

Covers: 3154G,1FF3154G_,_F310001 (???)

Type: Service Manual

Language: English

Pages: 809

Format: PDF

Features: Bookmarked, searchable, printable

Compatibility: Windows/Mac/Tablet/Mobile

This service manual contains important information for the maintenance, troubleshooting and servicing of the **John Deere 3154G (SN. F310001-) Forestry Excavator Operation & Test Technical Manual (TM14025X19)**

In this manual you will find detailed specifications, illustrations, schematics, diagrams and step-by-step procedures to properly service and diagnose the machine to the manufacturer's standards.

Contents:

- General Information
- Specifications
- Serial Number Location
- Engine Specifications
- Engine Diagnostics
- Engine Tests and Adjustments
- Engine Repair
- Power Train
- Transmission
- Axles
- Differential
- PTO
- Hydraulic System
- Electrical System
- Electrical Tests and Diagnostics
- Wiring Diagram / Schematic
- Ignition and Charging
- Steering
- Brakes
- Wheels
- Operator's Platform
- Body Panels
- Disassembly and Assembly
- Diagnostics, Tests and Adjustments
- Troubleshooting
- and much more...

Please note this manual is in **downloadable PDF format only**. If you have any questions about this product or would like to request sample pages, please contact us and reference the product name or SKU.

Track Chain Repair to Replace Broken Part

NOTE:

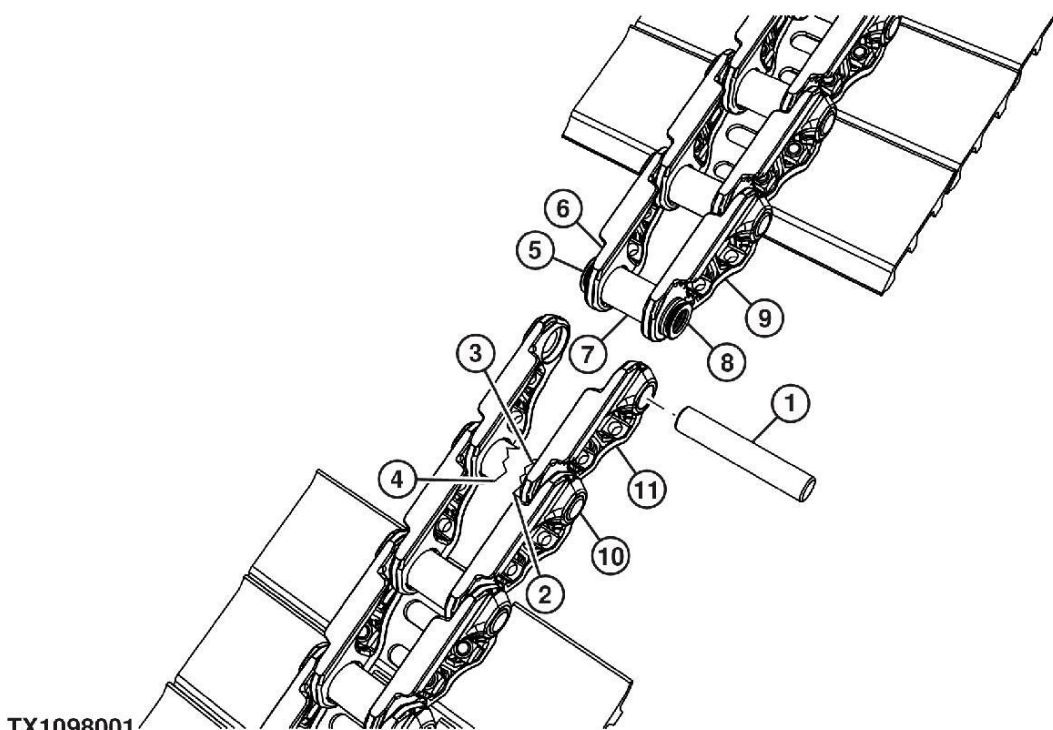
This procedure is to address a broken track pin or broken track link.

Broken Track Pin Replacement

1. Remove three track shoes surrounding damaged area. [See Track Shoe Remove and Install](#). (Group 0130.)

2. NOTE:

All track pins, bushings, and links will be discarded and replaced with new parts.



TX1098001

TX1098001-UN: Track Pin

LEGEND:

1-Broken Track Pin

2-Bushing

3-Cut Point

4-Cut Point

5-Grind Point

6-Track Link

7-Bushing

8-Grind Point

9-Track Link

10-Track Pin

11-Track Link Assembly

Remove broken track pin (1).

IMPORTANT:

3. **Avoid damage to good parts. Use care when operating cutting torch.**

Cut bushing (2) and pin at cut points (3 and 4).



Thank you very much
for your reading.
Please click here
to get more information.