

John Deere 3156G (SN. F316001-) Log Loader Operation & Test Technical Manual (TM14029X19)

**6205 and 6505
Tractors
Repair**



For complete service information also see:

6205 and 6505 Tractors
Operation and Maintenance
Front Wheel Drive Tractors
POWERTECH® Engines
Alternators and Starting

PDF



DOWNLOAD



John Deere Werke Mannheim
TM4612 (01JUL99)

Printed in Germany
ENGLISCH

Covers: 3156G,1FF3156G,_,_F316001 (???)

Type: Service Manual

Language: English

Pages: 837

Format: PDF

Features: Bookmarked, searchable, printable

Compatibility: Windows/Mac/Tablet/Mobile

This service manual contains important information for the maintenance, troubleshooting and servicing of the **John Deere 3156G (SN. F316001-) Log Loader Operation & Test Technical Manual (TM14029X19)**

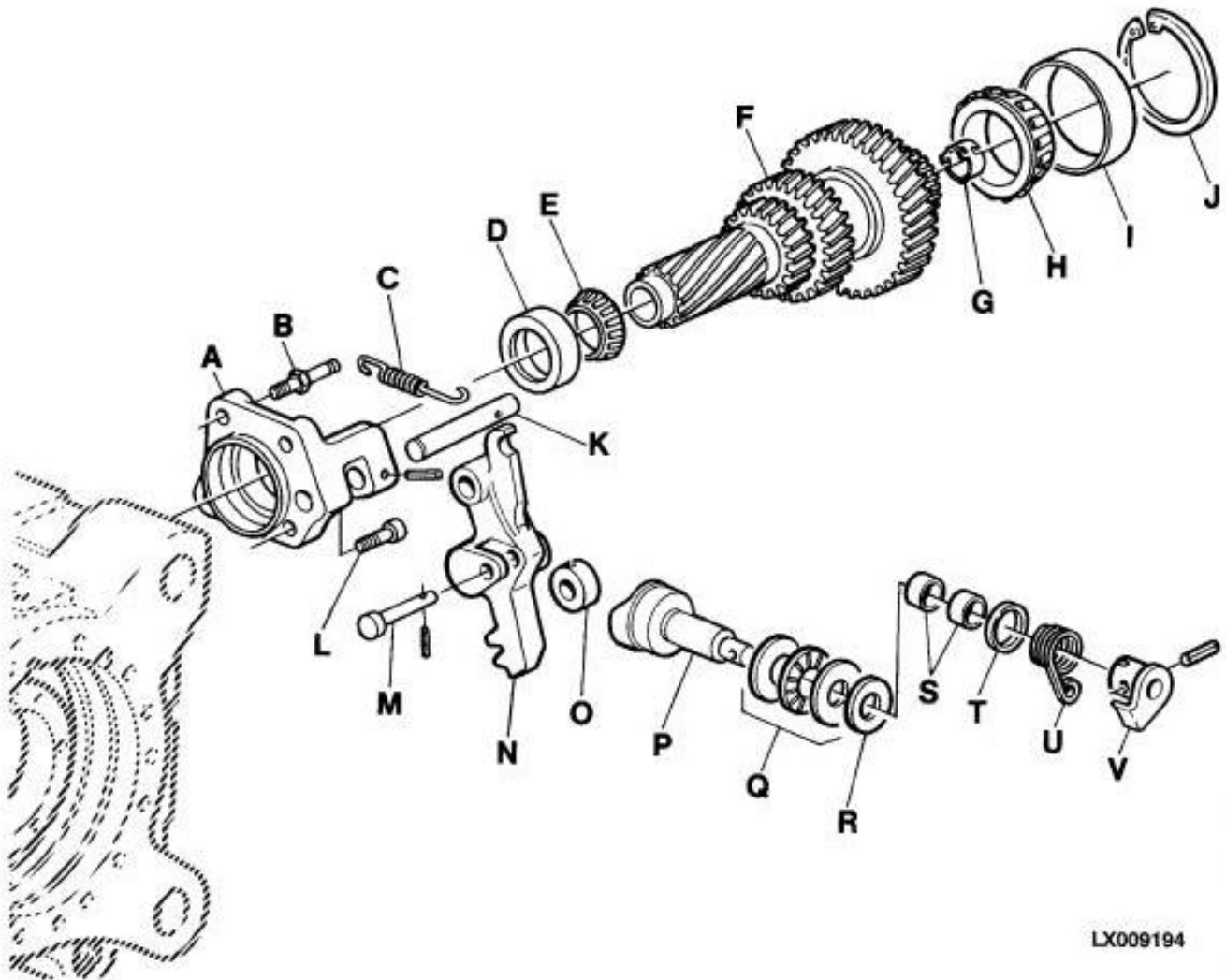
In this manual you will find detailed specifications, illustrations, schematics, diagrams and step-by-step procedures to properly service and diagnose the machine to the manufacturer's standards.

Contents:

- General Information
- Specifications
- Serial Number Location
- Engine Specifications
- Engine Diagnostics
- Engine Tests and Adjustments
- Engine Repair
- Power Train
- Transmission
- Axles
- Differential
- PTO
- Hydraulic System
- Electrical System
- Electrical Tests and Diagnostics
- Wiring Diagram / Schematic
- Ignition and Charging
- Steering
- Brakes
- Wheels
- Operator's Platform
- Body Panels
- Disassembly and Assembly
- Diagnostics, Tests and Adjustments
- Troubleshooting
- and much more...

Please note this manual is in **downloadable PDF format only**. If you have any questions about this product or would like to request sample pages, please contact us and reference the product name or SKU.

EXPLODED VIEW OF DRIVE SHAFT AND PARKING LOCK



A—Bearing quill
 B—Pin
 C—Spring
 D—Taper roller bearing cup
 E—Taper roller bearing cone
 F—Drive shaft

G—Sealing sleeve
 H—Taper roller bearing cone
 I—Taper roller bearing cup
 J—Snap ring
 K—Shaft
 L—Hex. socket screw

M—Pin
 N—Locking latch
 O—Roller
 P—Shifter cam
 Q—Axial bearing assy.
 R—Spacer washer
 (thickness as required)

S—Bushing
 T—Seal ring
 U—Spring
 V—Lever

LX009194

LX009194 -JUN-21SEP94

LX.RDTG 002111-19-01NOV97



Thank you very much
for your reading.
Please click here
to get more information.