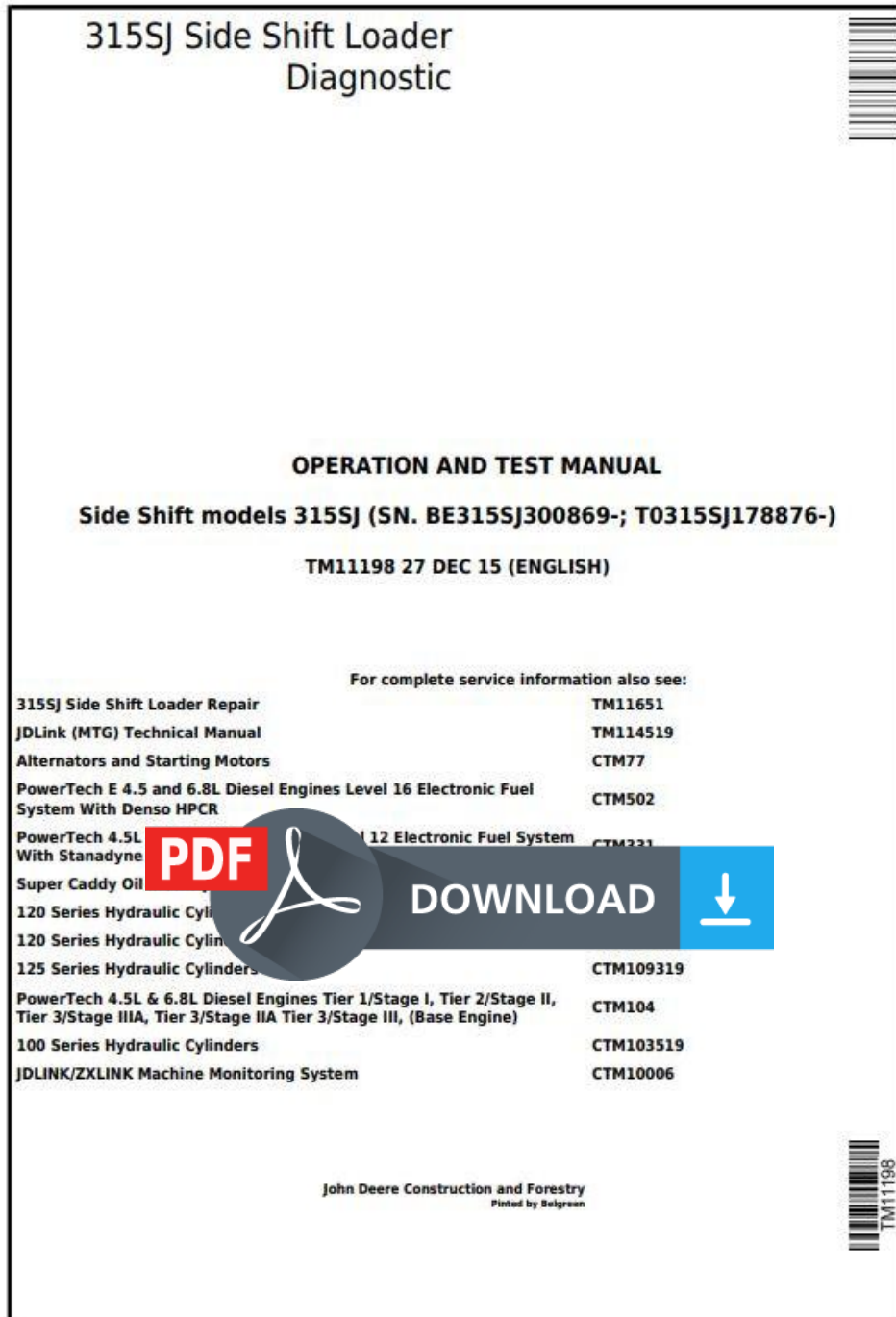


John Deere 315SJ Side Shift Loader (SN.BE315SJ300869-;T0315SJ178876-) Diagnostic&Test Manual TM11198



Covers: 315SJ, BE315SJ300869;, T0315SJ178876)

Type: Service Manual

Language: English

Pages: 820

Format: PDF

Features: Bookmarked, searchable, printable

Compatibility: Windows/Mac/Tablet/Mobile

This service manual contains important information for the maintenance, troubleshooting and servicing of the **John Deere 315SJ Side Shift Loader (SN.BE315SJ300869-;T0315SJ178876-) Diagnostic&Test Manual TM11198**

In this manual you will find detailed specifications, illustrations, schematics, diagrams and step-by-step procedures to properly service and diagnose the machine to the manufacturer's standards.

Contents:

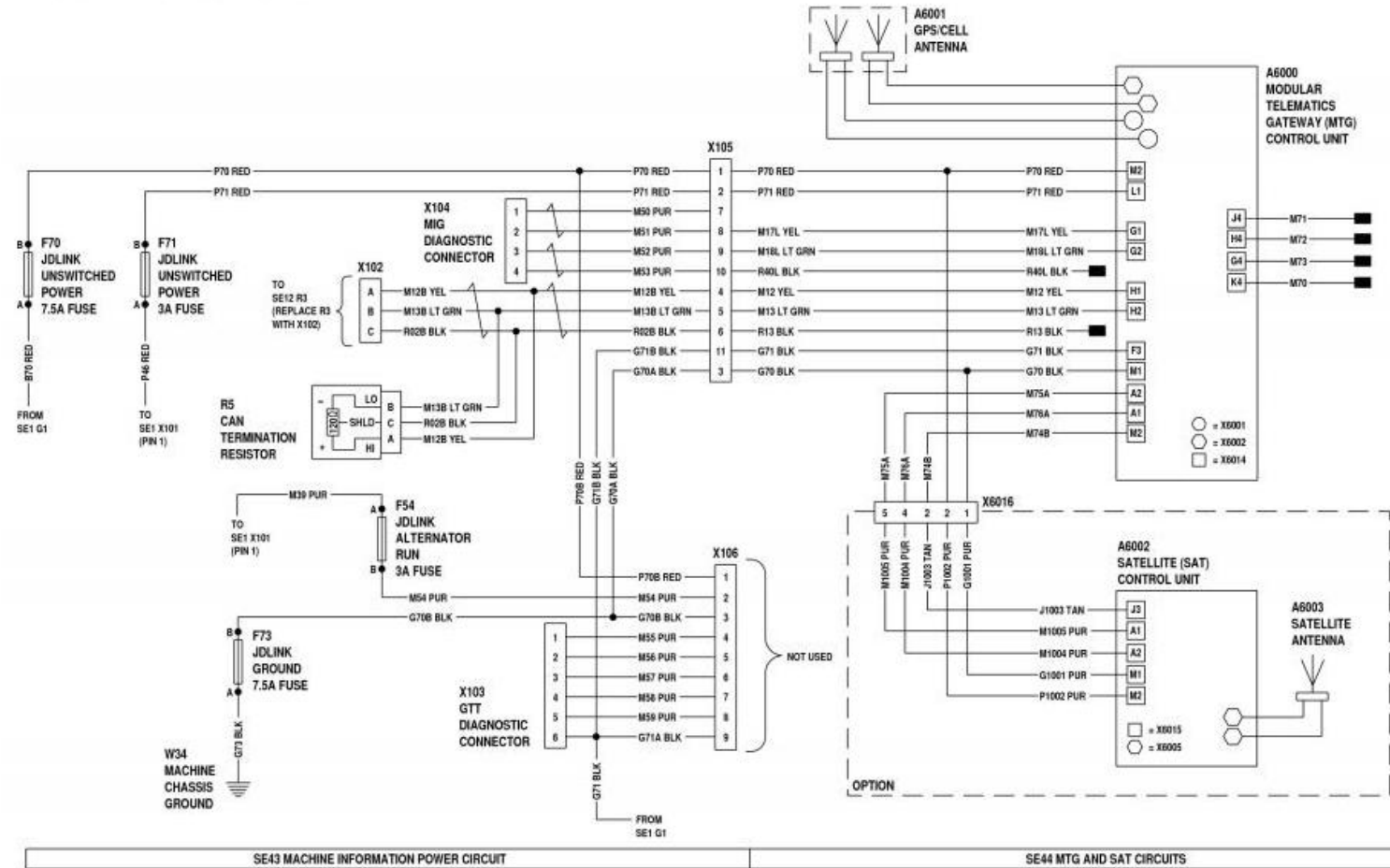
- General Information
- Specifications
- Serial Number Location
- Engine Specifications
- Engine Diagnostics
- Engine Tests and Adjustments
- Engine Repair
- Power Train
- Transmission
- Axles
- Differential
- PTO
- Hydraulic System
- Electrical System
- Electrical Tests and Diagnostics
- Wiring Diagram / Schematic
- Ignition and Charging
- Steering
- Brakes
- Wheels
- Operator's Platform
- Body Panels
- Disassembly and Assembly
- Diagnostics, Tests and Adjustments
- Troubleshooting
- and much more...

Please note this manual is in **downloadable PDF format only**. If you have any questions about this product or would like to request sample pages, please contact us and reference the product name or SKU.

JDLink™ System Functional Schematic—MTG/SAT

Machines may be equipped with one of two different JDLink™ systems. See JDLink™ System Identification. (Group 9015-20.)

JDLink™ System Functional Schematic—If Equipped (S.N. 196271—)



TX1148701

JDLink™ Functional Schematic (SE43—SE44)



Thank you very much
for your reading.
Please click here
to get more information.