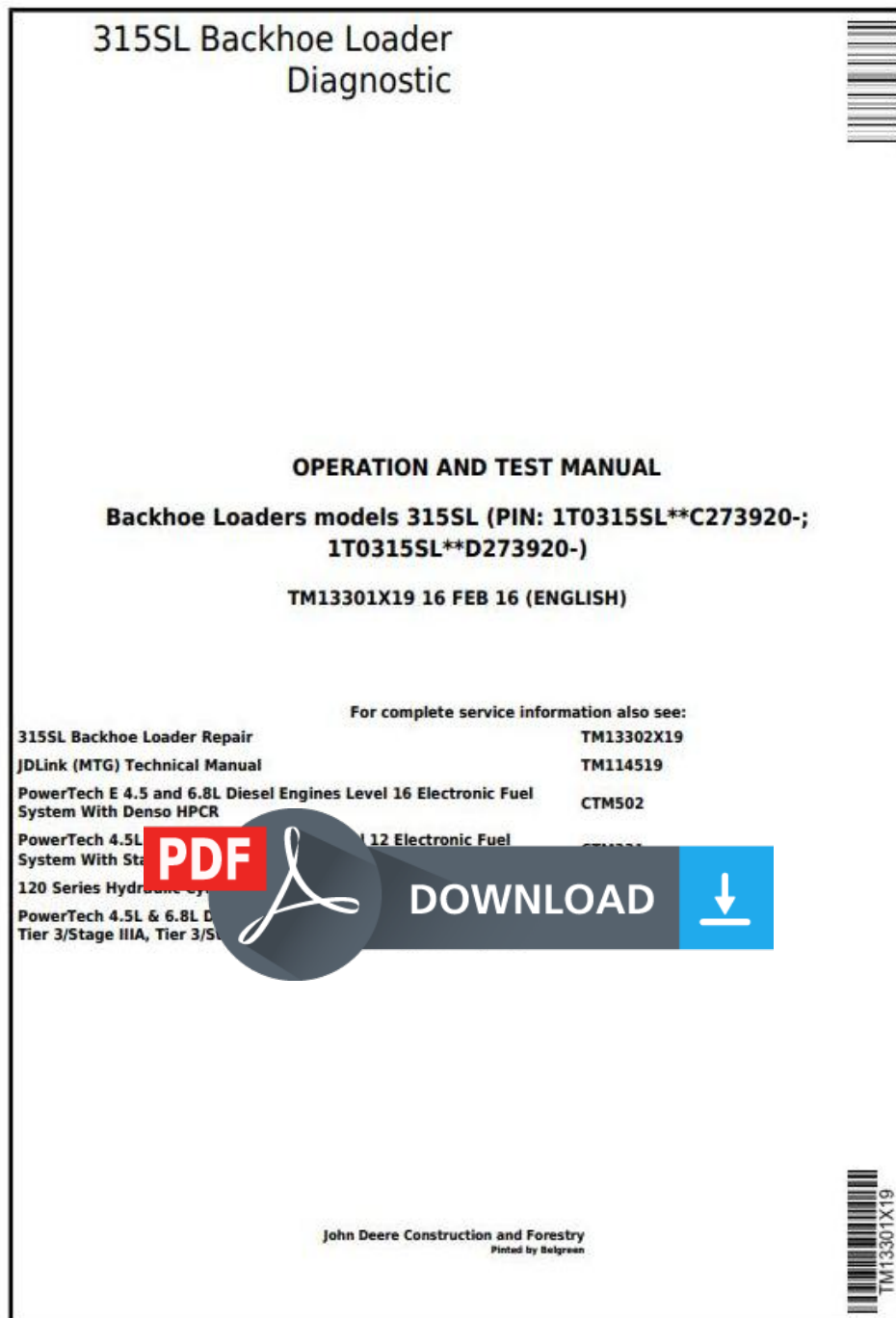


John Deere 315SL Backhoe Loader (SN.from 273920) Diagnostic and Test Service Manual (TM13301X19)



Covers: 315SL,1T0315SL**C273920-;,1T0315SL**D273920-)

Type: Service Manual

Language: English

Pages: 1006

Format: PDF

Features: Bookmarked, searchable, printable

Compatibility: Windows/Mac/Tablet/Mobile

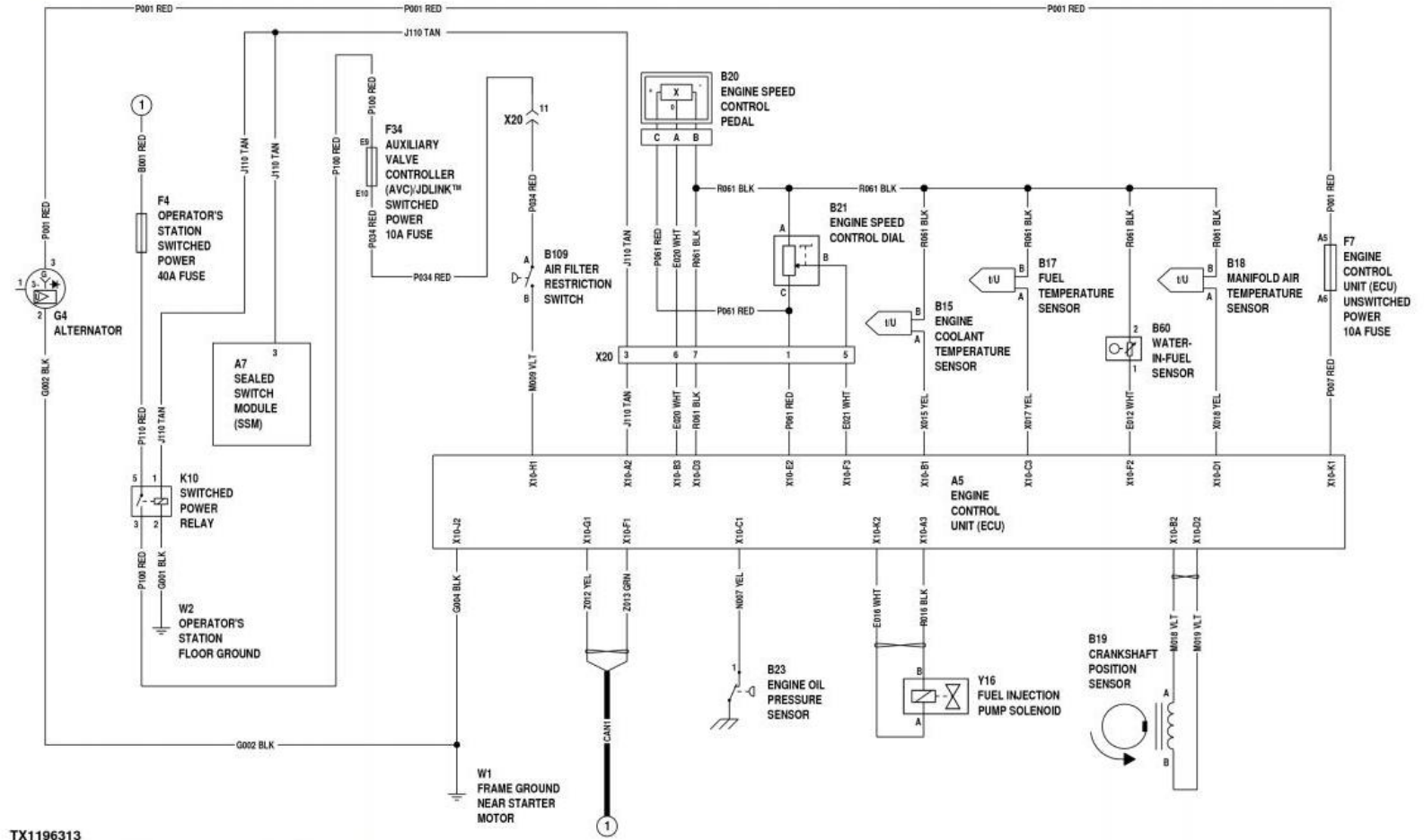
This service manual contains important information for the maintenance, troubleshooting and servicing of the **John Deere 315SL Backhoe Loader (SN.from 273920) Diagnostic and Test Service Manual (TM13301X19)**

In this manual you will find detailed specifications, illustrations, schematics, diagrams and step-by-step procedures to properly service and diagnose the machine to the manufacturer's standards.

Contents:

- General Information
- Specifications
- Serial Number Location
- Engine Specifications
- Engine Diagnostics
- Engine Tests and Adjustments
- Engine Repair
- Power Train
- Transmission
- Axles
- Differential
- PTO
- Hydraulic System
- Electrical System
- Electrical Tests and Diagnostics
- Wiring Diagram / Schematic
- Ignition and Charging
- Steering
- Brakes
- Wheels
- Operator's Platform
- Body Panels
- Disassembly and Assembly
- Diagnostics, Tests and Adjustments
- Troubleshooting
- and much more...

Please note this manual is in **downloadable PDF format only**. If you have any questions about this product or would like to request sample pages, please contact us and reference the product name or SKU.



TX1196313 Engine Control Unit (ECU) Circuit Theory of Operation Schematic (engine model 404577096)



Thank you very much
for your reading.
Please click here
to get more information.