

John Deere 316GR and 318G Skid Steer Loader Repair Service Manual (TM13852X19)

**E18ZS Excavator
Operation and Test**

(PIN: WNCE018A_
_D016000—)



JOHN HARE



COLLECTION

**OPERATION & TEST TECHNICAL MANUAL
E18ZS Excavator (PIN: WNCE018A__D016000—)**

TM14361X19 01DEC18 (ENGLISH)

For complete service information also see:

E185ZS Excavator omt474367x19
E18ZS Excavator Repair TM14362X19



John Deere Tianjin
Construction Works

Covers: 316GR,1T0316G_,_J288093❖❖❖❖❖❖❖),318G,1T0318G_,_J288093❖

Type: Service Manual

Language: English

Pages: 250

Format: PDF

Features: Bookmarked, searchable, printable

Compatibility: Windows/Mac/Tablet/Mobile

This service manual contains important information for the maintenance, troubleshooting and servicing of the **John Deere 316GR and 318G Skid Steer Loader Repair Service Manual (TM13852X19)**

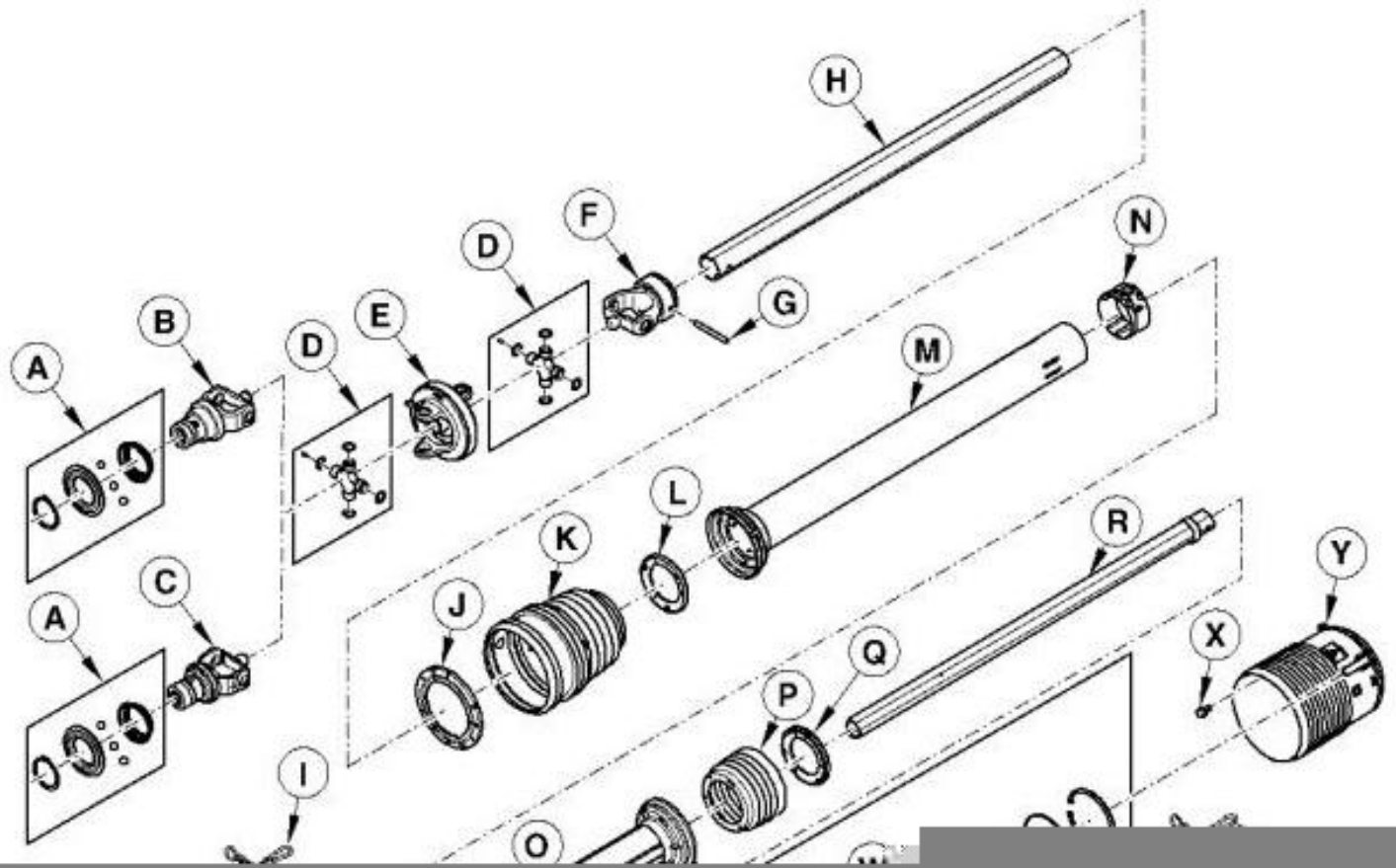
In this manual you will find detailed specifications, illustrations, schematics, diagrams and step-by-step procedures to properly service and diagnose the machine to the manufacturer's standards.

Contents:

- General Information
- Specifications
- Serial Number Location
- Engine Specifications
- Engine Diagnostics
- Engine Tests and Adjustments
- Engine Repair
- Power Train
- Transmission
- Axles
- Differential
- PTO
- Hydraulic System
- Electrical System
- Electrical Tests and Diagnostics
- Wiring Diagram / Schematic
- Ignition and Charging
- Steering
- Brakes
- Wheels
- Operator's Platform
- Body Panels
- Disassembly and Assembly
- Diagnostics, Tests and Adjustments
- Troubleshooting
- and much more...

Please note this manual is in **downloadable PDF format only**. If you have any questions about this product or would like to request sample pages, please contact us and reference the product name or SKU.

Exploded View of Input Driveline (F440R Baler with 1000 rpm Gear Case)





Thank you very much
for your reading.
Please click here
to get more information.