

John Deere 3203 Compact Utility Tractors All Inclusive Technical Manual (tm1150)

Compact Utility Tractors
4520, 4720 (With Cab)
Diagnostic and Repair



TECHNICAL MANUAL

Compact Utility models 4520 (SN. 650001-), 4720 (SN. 650001-)

TM105419 14 APR 15 (ENGLISH)

For complete service information also see:

POWERTECH 2.4 L & 3.0 L Diesel Engines

CTM301



John Deere Agriculture
Printed by Belgroen



TM105419

Type: Service Manual

Language: English

Pages: 461

Format: PDF

Features: Bookmarked, searchable, printable

Compatibility: Windows/Mac/Tablet/Mobile

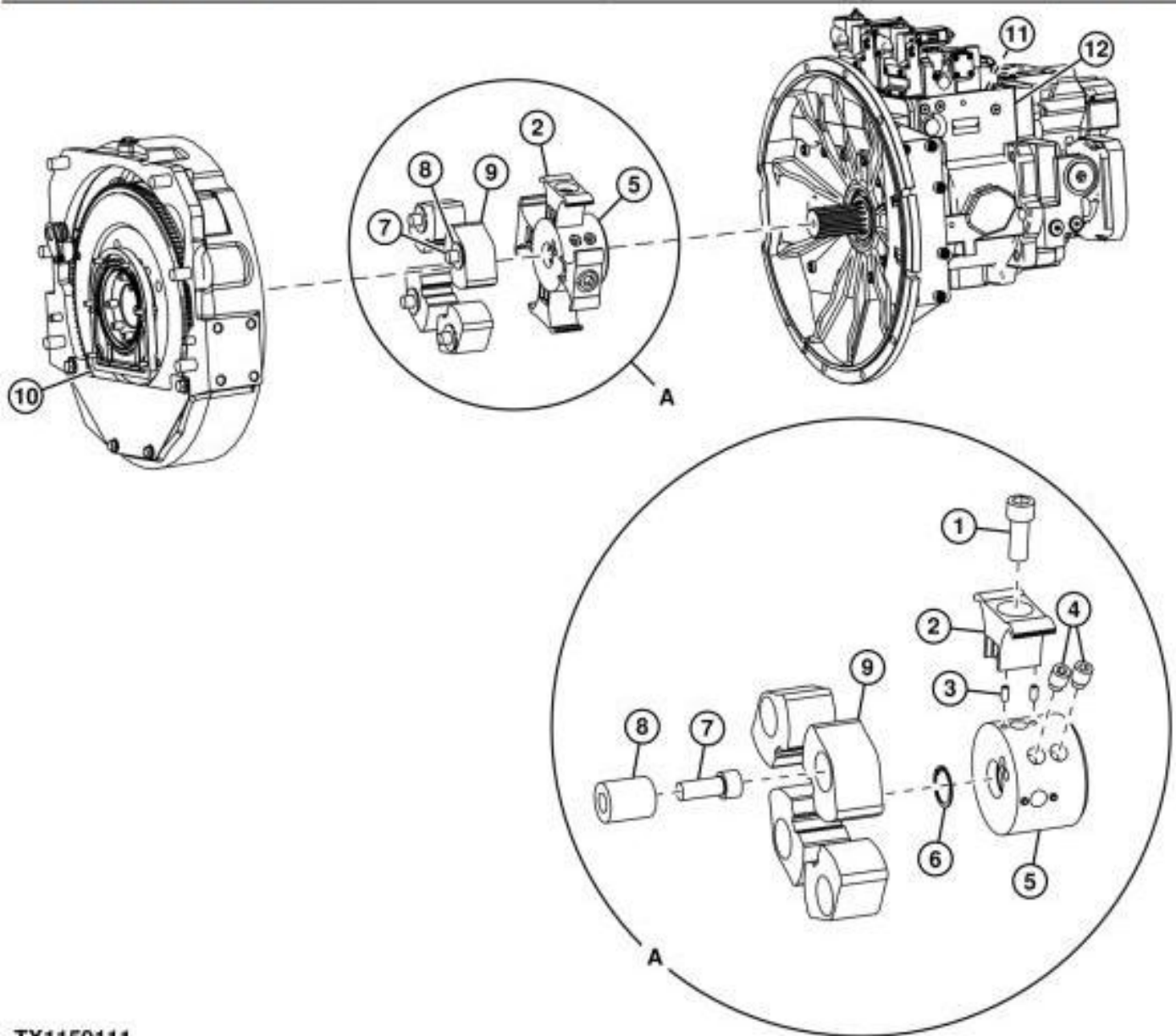
This service manual contains important information for the maintenance, troubleshooting and servicing of the **John Deere 3203 Compact Utility Tractors All Inclusive Technical Manual (tm1150)**

In this manual you will find detailed specifications, illustrations, schematics, diagrams and step-by-step procedures to properly service and diagnose the machine to the manufacturer's standards.

Contents:

- General Information
- Specifications
- Serial Number Location
- Engine Specifications
- Engine Diagnostics
- Engine Tests and Adjustments
- Engine Repair
- Power Train
- Transmission
- Axles
- Differential
- PTO
- Hydraulic System
- Electrical System
- Electrical Tests and Diagnostics
- Wiring Diagram / Schematic
- Ignition and Charging
- Steering
- Brakes
- Wheels
- Operator's Platform
- Body Panels
- Disassembly and Assembly
- Diagnostics, Tests and Adjustments
- Troubleshooting
- and much more...

Please note this manual is in **downloadable PDF format only**. If you have any questions about this product or would like to request sample pages, please contact us and reference the product name or SKU.



TX1159111

Damper Drive (flex coupling)**LEGEND:**

1	Socket Head Cap Screw (4 used)
2	Insert (4 used)
3	Guide Pin (8 used)
4	Set Screw (2 used)
5	Splined Hub
6	Snap Ring
7	Socket Head Cap Screw (4 used)
8	Insert (4 used)
9	Coupler (4 used)
10	Flywheel
11	Hydraulic Pump 2
12	Hydraulic Pump 1

Remove hydraulic pumps 1 and 2 (12 and 11). [See Pump 1 and 2 Remove and Install.](#) (Group 3360.)

[4] - Remove socket head cap screws (1) and inserts (2) from splined hub (5).

[5] - Loosen set screws (4) and remove splined hub.



Thank you very much
for your reading.
Please click here
to get more information.