

# John Deere 325SK (T2/S2) Backhoe Loader (SN: C235589-) Service Repair Technical Manual (TM12828)

**3754G and 3754GLC  
Forestry Excavator  
Operation and Test**  
(PIN: 1FF3754G\_\_F371001—)



JOHN HARE



COLLECTION

**OPERATION & TEST TECHNICAL MANUAL**  
**3754G and 3754GLC Forestry Excavator (PIN:  
1FF3754G\_\_F371001—)**

TM14021X19 01DEC18 (ENGLISH)

For complete service information also see:

6090 PowerTech™ OEM Diesel Engines (Final Tier 4/  
Stage IV platform) ..... ctm117719  
3754G and 3754GLC Forestry Excavator Operators  
Manual..... TM351450X19  
3754G and 3754GLC Fores  
Manual..... 2X19



Worldwide Construction and  
Forestry Division

**Covers:** 325SK,1T0325SK\*\*C235589-)

**Type:** Service Manual

**Language:** English

**Pages:** 675

**Format:** PDF

**Features:** Bookmarked, searchable, printable

**Compatibility:** Windows/Mac/Tablet/Mobile

This service manual contains important information for the maintenance, troubleshooting and servicing of the **John Deere 325SK (T2/S2) Backhoe Loader (SN: C235589-) Service Repair Technical Manual (TM12828)**

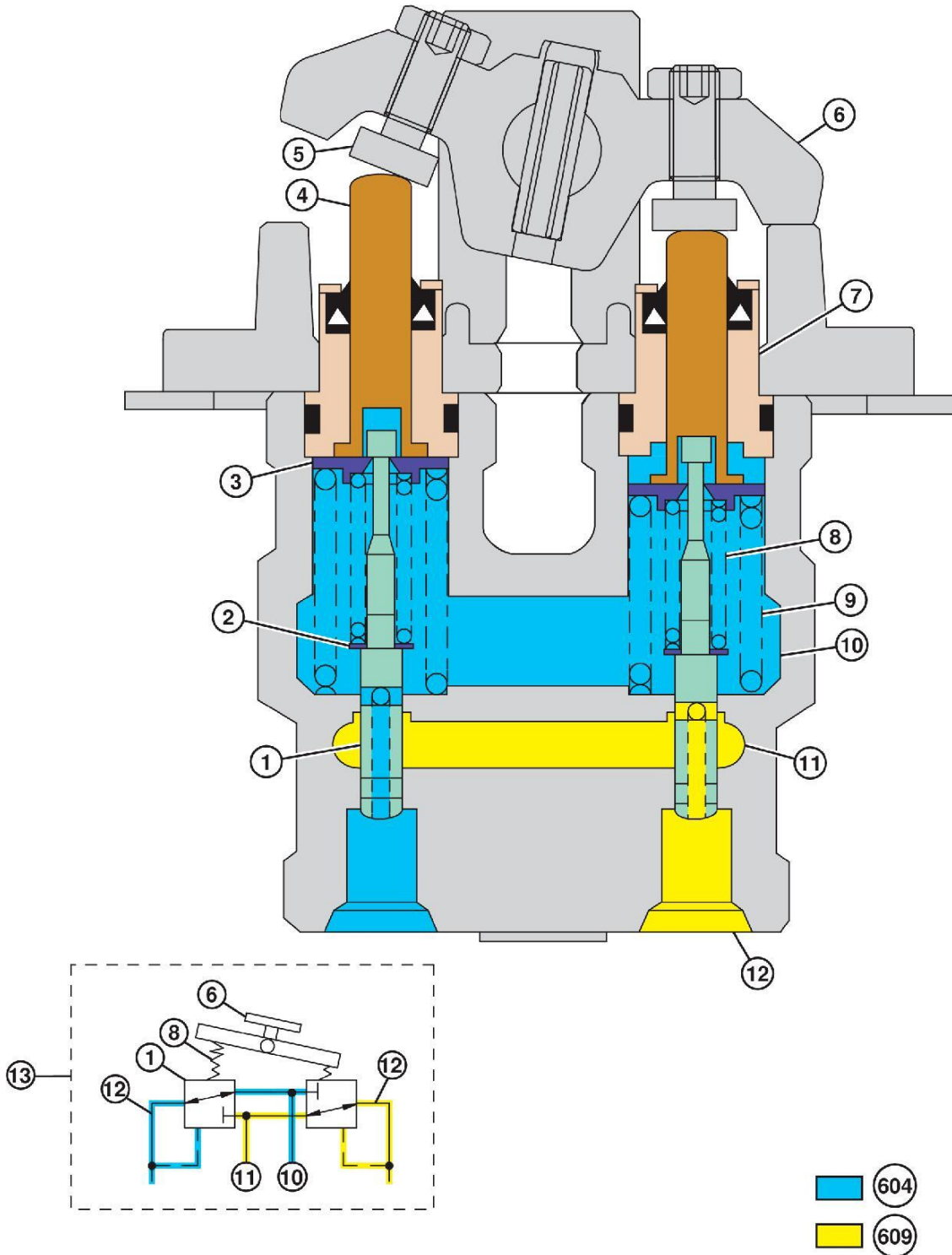
In this manual you will find detailed specifications, illustrations, schematics, diagrams and step-by-step procedures to properly service and diagnose the machine to the manufacturer's standards.

**Contents:**

- General Information
- Specifications
- Serial Number Location
- Engine Specifications
- Engine Diagnostics
- Engine Tests and Adjustments
- Engine Repair
- Power Train
- Transmission
- Axles
- Differential
- PTO
- Hydraulic System
- Electrical System
- Electrical Tests and Diagnostics
- Wiring Diagram / Schematic
- Ignition and Charging
- Steering
- Brakes
- Wheels
- Operator's Platform
- Body Panels
- Disassembly and Assembly
- Diagnostics, Tests and Adjustments
- Troubleshooting
- and much more...

Please note this manual is in **downloadable PDF format only**. If you have any questions about this product or would like to request sample pages, please contact us and reference the product name or SKU.

## Travel Pilot Control Valve Operation



### TX1086424

TX1086424-UN: Travel Pilot Control Valve Operation

#### LEGEND:

- |  |   |   |
|--|---|---|
| <ul style="list-style-type: none"> <li>1-Spool</li> <li>2-Washer</li> <li>3-Spring Guide</li> <li>4-Plunger</li> <li>5-Adjustment Screw</li> </ul> | <ul style="list-style-type: none"> <li>6-Cam and Pedal</li> <li>7-Sleeve</li> <li>8-Balance Spring</li> <li>9-Return Spring</li> <li>10-Port T to Hydraulic Oil Tank</li> </ul> | <ul style="list-style-type: none"> <li>11-Port P From Pilot Shutoff Solenoid Valve</li> <li>12-Port 1, 2, 3, or 4 to Control Valve Pilot Cap</li> <li>13-Travel Pilot Control Valve—Full Stroke</li> <li>604-Return Oil</li> <li>609-Pilot Oil</li> </ul> |
|--|---|---|

The travel pilot control valve regulates the pilot oil (609) pressure to actuate the pilot valves in the pilot signal manifold and to shift the control valve spools to actuate the travel functions.

See [Pilot Signal Manifold Operation](#) for pilot valve operation. (Group 9025-05.)



Thank you very much  
for your reading.  
Please click here  
to get more information.