

# John Deere 326E (SN.J247388-) Skid Steer Loader (EH Controls) Diagnostic Service Manual (TM13043X19)

326E Skid Steer Loader (EH  
Controls) Diagnostic



## OPERATION AND TEST MANUAL

FT4/S4 models 326E (PIN: 1T0326E\*\*\*J247388-)

TM13043X19 21 OCT 15 (ENGLISH)

**For complete service information also see:**

326E Skid Steer Loader (PIN: 1T0326E\*\*\*J247388-) Repair

120 Series Hydraulic Cylinders

4TNV98C and 4TNV98CT Diesel Engines(Final Tier 4/Stage IV platform)

120 Series Hydraulic Cylinders

TM13044X19

CTM120519

CTM120319

CTM114319



John Deere Construction and Forestry  
Printed by Belgreen



**Covers:** 326E,1T0326E\*\*\*J247388-)

**Type:** Service Manual

**Language:** English

**Pages:** 1071

**Format:** PDF

**Features:** Bookmarked, searchable, printable

**Compatibility:** Windows/Mac/Tablet/Mobile

This service manual contains important information for the maintenance, troubleshooting and servicing of the **John Deere 326E (SN.J247388-) Skid Steer Loader (EH Controls) Diagnostic Service Manual (TM13043X19)**

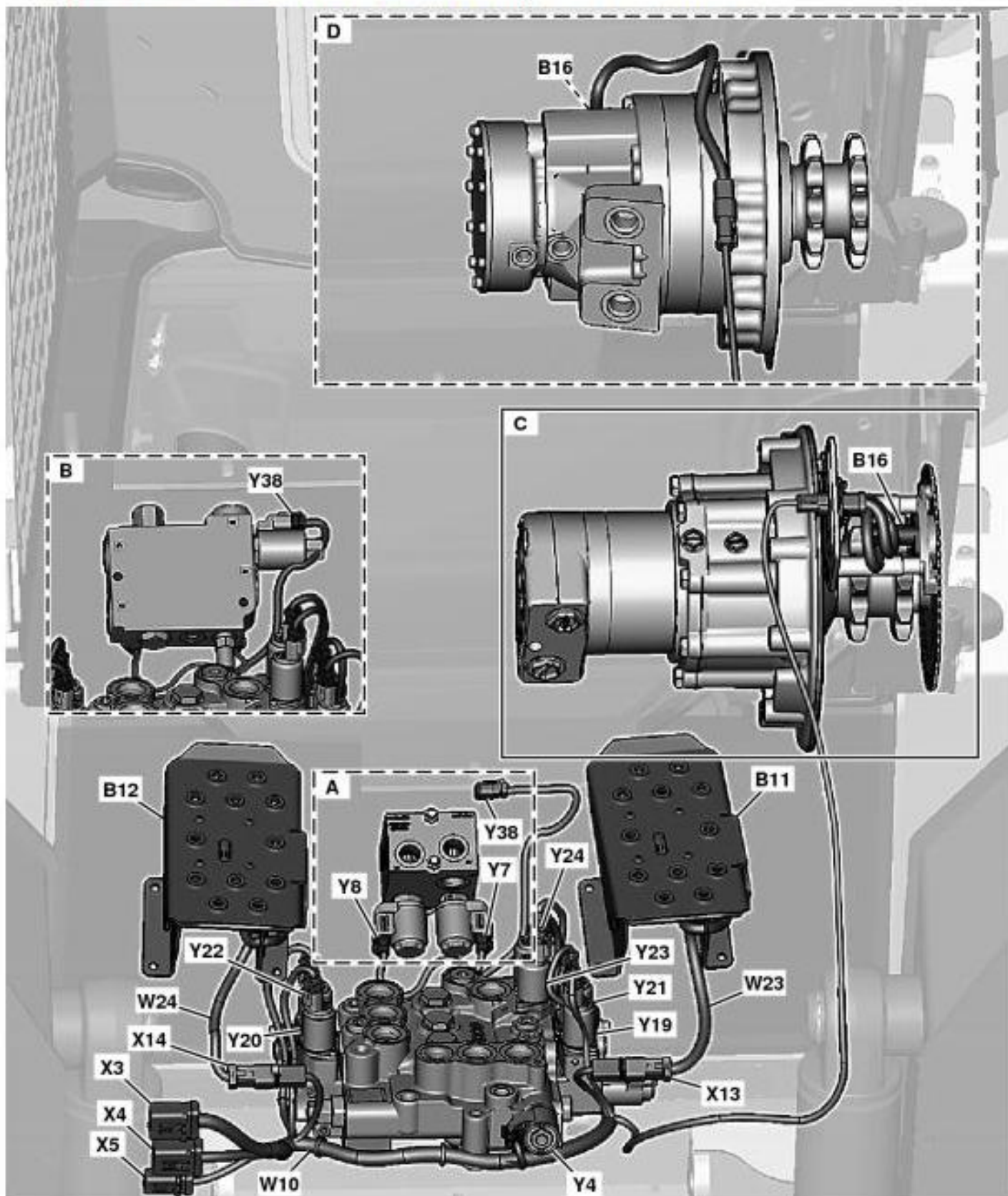
In this manual you will find detailed specifications, illustrations, schematics, diagrams and step-by-step procedures to properly service and diagnose the machine to the manufacturer's standards.

**Contents:**

- General Information
- Specifications
- Serial Number Location
- Engine Specifications
- Engine Diagnostics
- Engine Tests and Adjustments
- Engine Repair
- Power Train
- Transmission
- Axles
- Differential
- PTO
- Hydraulic System
- Electrical System
- Electrical Tests and Diagnostics
- Wiring Diagram / Schematic
- Ignition and Charging
- Steering
- Brakes
- Wheels
- Operator's Platform
- Body Panels
- Disassembly and Assembly
- Diagnostics, Tests and Adjustments
- Troubleshooting
- and much more...

Please note this manual is in **downloadable PDF format only**. If you have any questions about this product or would like to request sample pages, please contact us and reference the product name or SKU.

## Hydraulic Valve Harness (W10) Component Location



TX1126297

### Hydraulic Valve Harness (W10) Component Location

#### LEGEND:

- A Ride Control Option (if equipped)
- B Self Leveling Option (if equipped)
- C Location of left motor speed sensor (B16) for single speed wheeled machine.
- D Location of left motor speed sensor (B16) for two speed wheeled machine.



Thank you very much  
for your reading.  
Please click here  
to get more information.