

John Deere 326E Skid Steer Loader with Manual Controls Service Repair Technical Manual (TM13092X19)

7200, 7300, 7400, 7500,
7700 and 7800 Self-Propelled Forage Harvesters Repair (Worldwide Edition)



REPAIR TECHNICAL MANUAL

Harvest Lab models 7200, 7300, 7400, 7500, 7700, 7800

TM4668 29 DEC 13 (ENGLISH)

For complete service information also see:

| | |
|--|----------|
| 7200, 7300, 7400, 7500, 7700 and 7800 Self-Propelled Forage Harvesters Diagnostic | TM4670 |
| John Deere Manure Sensing Technical Manual | TM141619 |
| Harvest Lab Stationary / Harvest Lab on 7x00, 7x50 and 7x80 Self-Propelled Forage Harvesters Technical Solutions | TM132019 |
| PowerTech 8.1 L Diesel Engines, Level 6 Electronic Fuel Systems with Denso High Pressure Common Rail | CTM86 |
| PowerTech 8.1L Diesel Engines, Level 6 Electronic Fuel Systems with Denso High Pressure Common Rail | CTM255 |
| PowerTech 10.5 L & 12.5 L Diesel Engines, Level 6 Electronic Fuel Systems with Lucas EUIs | CTM188 |
| PowerTech 10.5 L & 12.5 L Diesel Base Engine | CTM100 |

  **DOWNLOAD** 

John Deere Agriculture
Printed by Belgreen



Covers: 326E,1T0326E***G254998-)

Type: Service Manual

Language: English

Pages: 379

Format: PDF

Features: Bookmarked, searchable, printable

Compatibility: Windows/Mac/Tablet/Mobile

This service manual contains important information for the maintenance, troubleshooting and servicing of the **John Deere 326E Skid Steer Loader with Manual Controls Service Repair Technical Manual (TM13092X19)**

In this manual you will find detailed specifications, illustrations, schematics, diagrams and step-by-step procedures to properly service and diagnose the machine to the manufacturer's standards.

Contents:

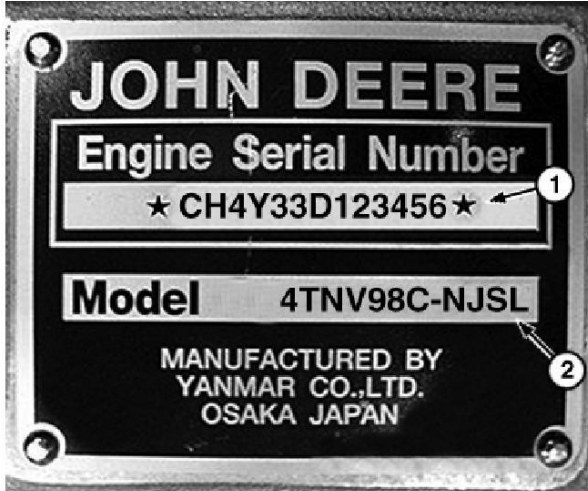
- General Information
- Specifications
- Serial Number Location
- Engine Specifications
- Engine Diagnostics
- Engine Tests and Adjustments
- Engine Repair
- Power Train
- Transmission
- Axles
- Differential
- PTO
- Hydraulic System
- Electrical System
- Electrical Tests and Diagnostics
- Wiring Diagram / Schematic
- Ignition and Charging
- Steering
- Brakes
- Wheels
- Operator's Platform
- Body Panels
- Disassembly and Assembly
- Diagnostics, Tests and Adjustments
- Troubleshooting
- and much more...

Please note this manual is in **downloadable PDF format only**. If you have any questions about this product or would like to request sample pages, please contact us and reference the product name or SKU.

Engine Identification

This machine has two engine options available: 4TNV86CHT or 4TNV86HT. Use the following information to identify engine model.

Engine Serial and Model Number Identification



TX1142169A-UN: Example of Engine Serial Number Plate



- 1-Engine Serial Number
- 2-Engine Model Number
- 3-Engine Serial Number Tag

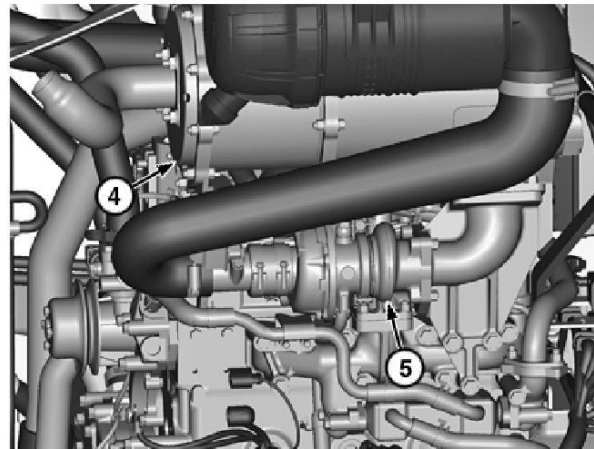
The engine serial number tag (3) is located on top of engine rocker arm cover.

The engine model number (2) can be used to identify the following engine options, based on machine application:

- Turbocharged (T)
- Intercooled (H)
- High-pressure common rail (C)

| Engine Model Number | |
|---------------------|------------------------------------|
| 4TNV86CHT | Final Tier 4 turbocharged engine |
| 4TNV86HT | Interim Tier 4 turbocharged engine |

Engine Component Identification





Thank you very much
for your reading.
Please click here
to get more information.