

# John Deere 330G and 332G Skid Steer Loader Repair Service Manual (TM14063X19)

## 944K Hybrid 4WD Loader Operation And Test

(PIN: 1DW944K\_\_  
\_F690605—)



JOHN HARE



COLLECTION

### OPERATION & TEST TECHNICAL MANUAL 944K Hybrid 4WD Loader (PIN: 1DW944K\_\_ \_F690605—)

TM14317X19 01DEC18 (ENGLISH)

For complete service information also see:

944K Hybrid 4WD Loader .....	omt414135x19
6135 Diesel Engine — Level 32 ECU .....	ctm119919
944K Hybrid 4WD Loader Repair .....	tm14319x19
Hydraulic Cylinders .....	120519
GPD2224 59000 Series G .....	3419



Worldwide Construction And  
Forestry Division

Covers: 330G,1T0330G\_\_,\_F300253(???,),332G,1T0332G\_\_,\_F300253(???)

**Type:** Service Manual

**Language:** English

**Pages:** 262

**Format:** PDF

**Features:** Bookmarked, searchable, printable

**Compatibility:** Windows/Mac/Tablet/Mobile

This service manual contains important information for the maintenance, troubleshooting and servicing of the **John Deere 330G and 332G Skid Steer Loader Repair Service Manual (TM14063X19)**

In this manual you will find detailed specifications, illustrations, schematics, diagrams and step-by-step procedures to properly service and diagnose the machine to the manufacturer's standards.

**Contents:**

- General Information
- Specifications
- Serial Number Location
- Engine Specifications
- Engine Diagnostics
- Engine Tests and Adjustments
- Engine Repair
- Power Train
- Transmission
- Axles
- Differential
- PTO
- Hydraulic System
- Electrical System
- Electrical Tests and Diagnostics
- Wiring Diagram / Schematic
- Ignition and Charging
- Steering
- Brakes
- Wheels
- Operator's Platform
- Body Panels
- Disassembly and Assembly
- Diagnostics, Tests and Adjustments
- Troubleshooting
- and much more...

Please note this manual is in **downloadable PDF format only**. If you have any questions about this product or would like to request sample pages, please contact us and reference the product name or SKU.

## Avoid Pressure Washing Electric Drive Components

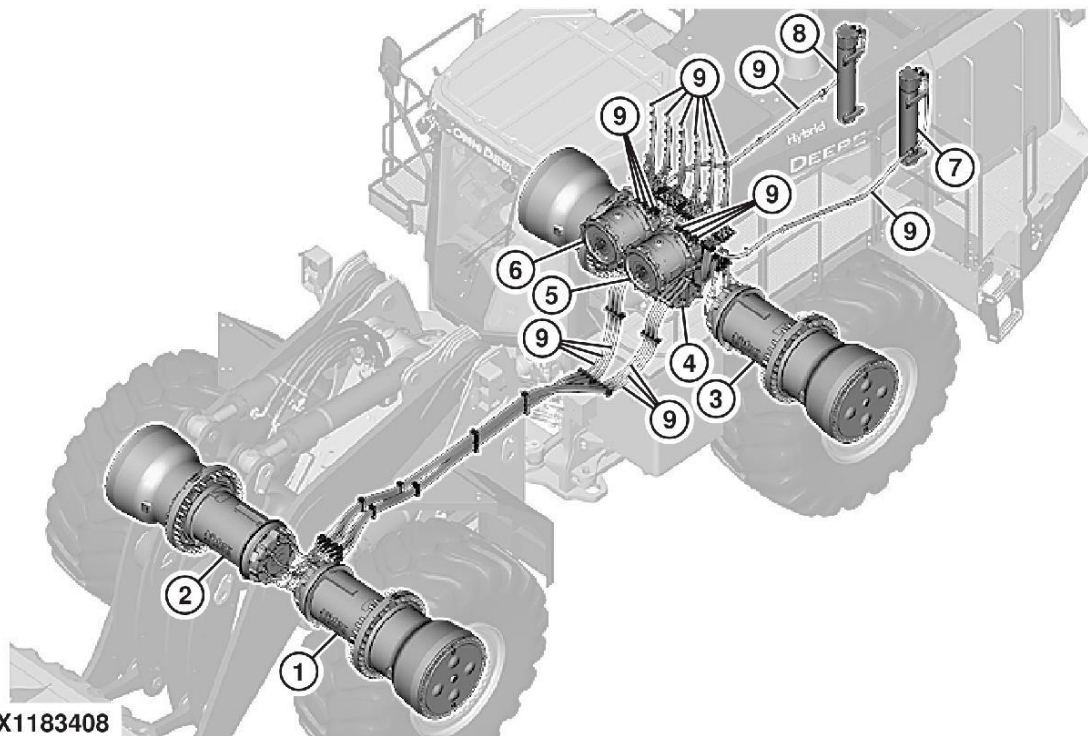


**CAUTION:**

Prevent fires and possible injury or death from electric shock. Avoid pressure washing electric drive components directly. Engine must be OFF and engine lockout switch in OFF position prior to pressure washing machine.

Park machine and turn engine lockout switch to the OFF position. See Engine Lockout Switch. (Section 2-2.)

While pressure washing machine, avoid directing spray nozzle at orange electric drive power cables (9) and components.



**TX1183408**

TX1183408-UN: Electric Drive Component Locations

**LEGEND:**

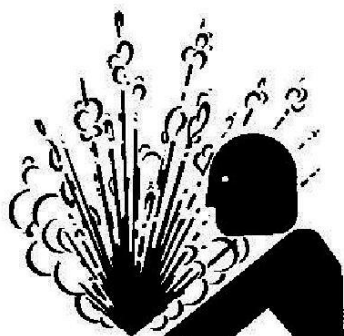
- 1-Left Front Electric Motor
- 2-Right Front Electric Motor
- 3-Left Rear Electric Motor
- 4-Right Rear Electric Motor

- 5-Electric Drive Generator 1
- 6-Electric Drive Generator 2
- 7-Brake Resistor 2
- 8-Brake Resistor 1

- 9-Orange Electric Drive Power Cable (34 used)

KR46761,00010AC-19-20160122

## Service Cooling System Safely



TS281-UN: Cooling System

Explosive release of fluids from pressurized cooling system can cause serious burns.

Do not service radiator through the radiator cap. Only fill through the surge tank filler cap. Shut off engine. Only remove surge tank filler cap when cool enough to touch with bare hands. Slowly loosen cap to relieve pressure before removing completely.

TX,SURGE-19-20110119



Thank you very much  
for your reading.  
Please click here  
to get more information.