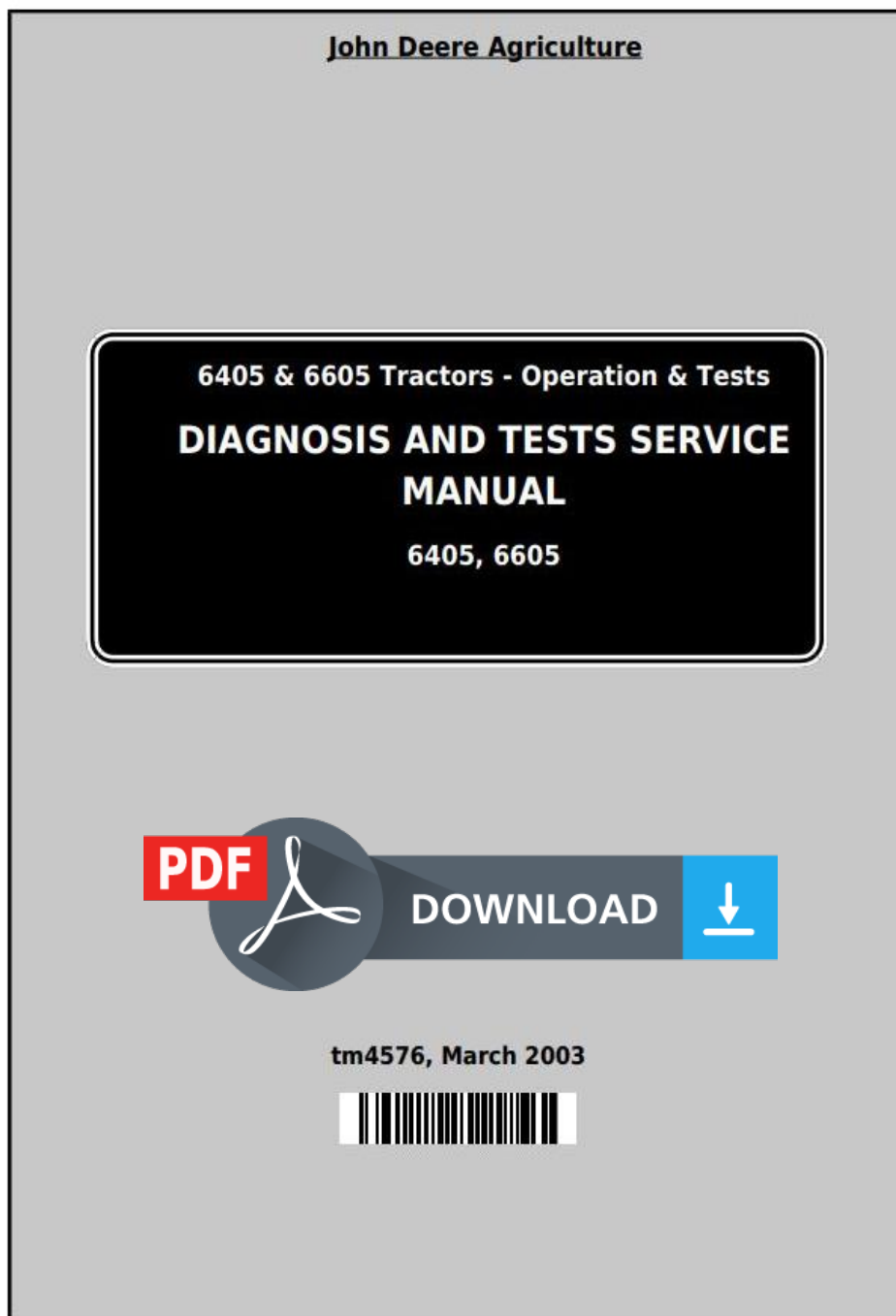


# John Deere 344J 4WD Loader (SN. from 22914) Service Repair Technical Manual (TM11219)



**Type:** Service Manual

**Language:** English

**Pages:** 305

**Format:** PDF

**Features:** Bookmarked, searchable, printable

**Compatibility:** Windows/Mac/Tablet/Mobile

This service manual contains important information for the maintenance, troubleshooting and servicing of the **John Deere 344J 4WD Loader (SN. from 22914) Service Repair Technical Manual (TM11219)**

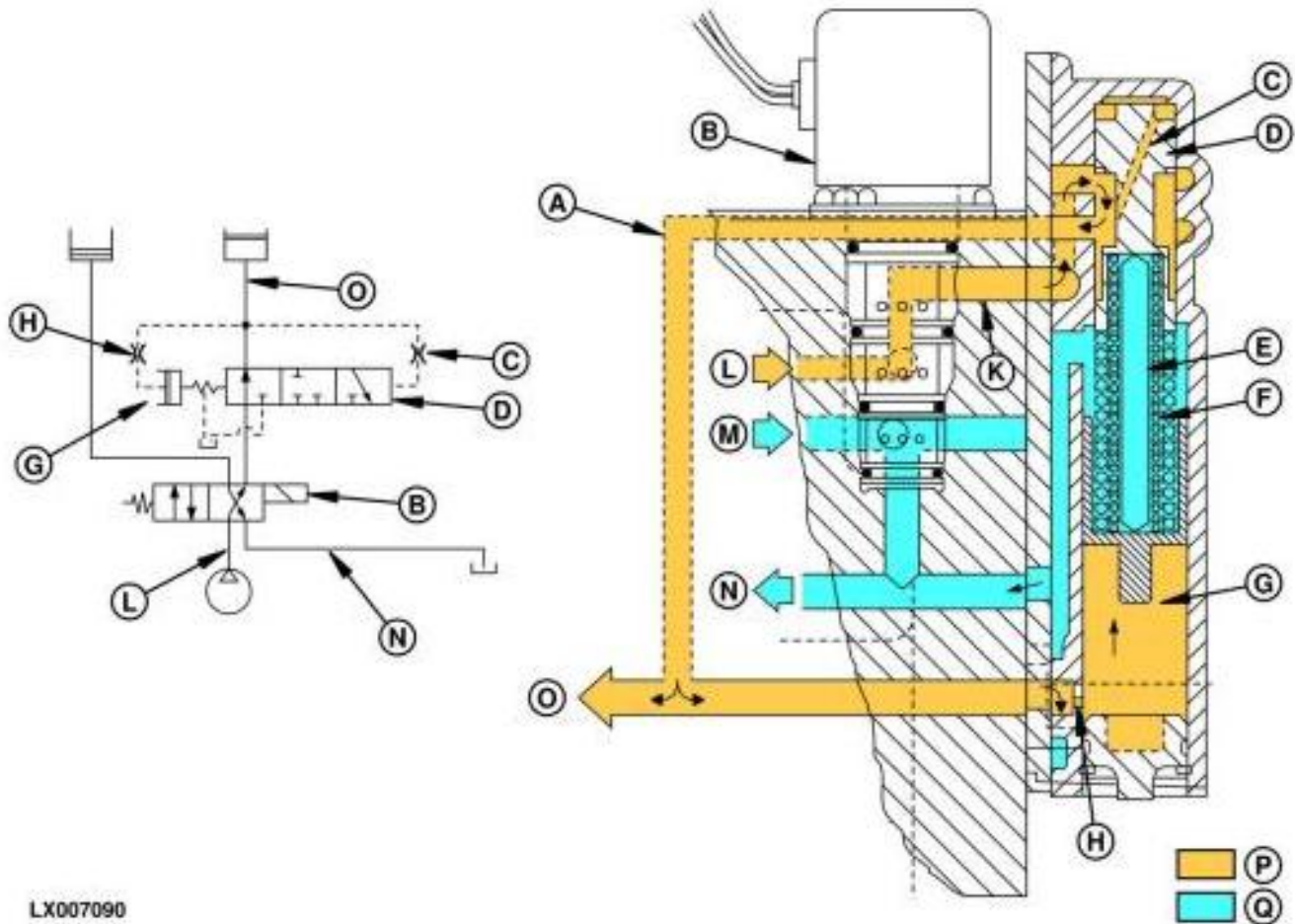
In this manual you will find detailed specifications, illustrations, schematics, diagrams and step-by-step procedures to properly service and diagnose the machine to the manufacturer's standards.

**Contents:**

- General Information
- Specifications
- Serial Number Location
- Engine Specifications
- Engine Diagnostics
- Engine Tests and Adjustments
- Engine Repair
- Power Train
- Transmission
- Axles
- Differential
- PTO
- Hydraulic System
- Electrical System
- Electrical Tests and Diagnostics
- Wiring Diagram / Schematic
- Ignition and Charging
- Steering
- Brakes
- Wheels
- Operator's Platform
- Body Panels
- Disassembly and Assembly
- Diagnostics, Tests and Adjustments
- Troubleshooting
- and much more...

Please note this manual is in **downloadable PDF format only**. If you have any questions about this product or would like to request sample pages, please contact us and reference the product name or SKU.

## PTO Modulating Valve and Solenoid Valve



LX007090

### LEGEND:

A	Oil passage
B	Solenoid valve
C	Oil passage
D	Spool
E	Spring
F	Spring
G	Piston
H	Orifice
K	Pressure oil passage
L	From transmission oil pump
M	From PTO brake
N	To sump
O	To PTO clutch
P	Pilot oil pressure
Q	Return oil

When engaging PTO, the spool of solenoid valve (B) is attracted by the magnet and opens the passage (K) to the PTO modulating valve.

As a result, pressure oil is directed to passage (A) and at the same time through oil passage



Thank you very much  
for your reading.  
Please click here  
to get more information.