

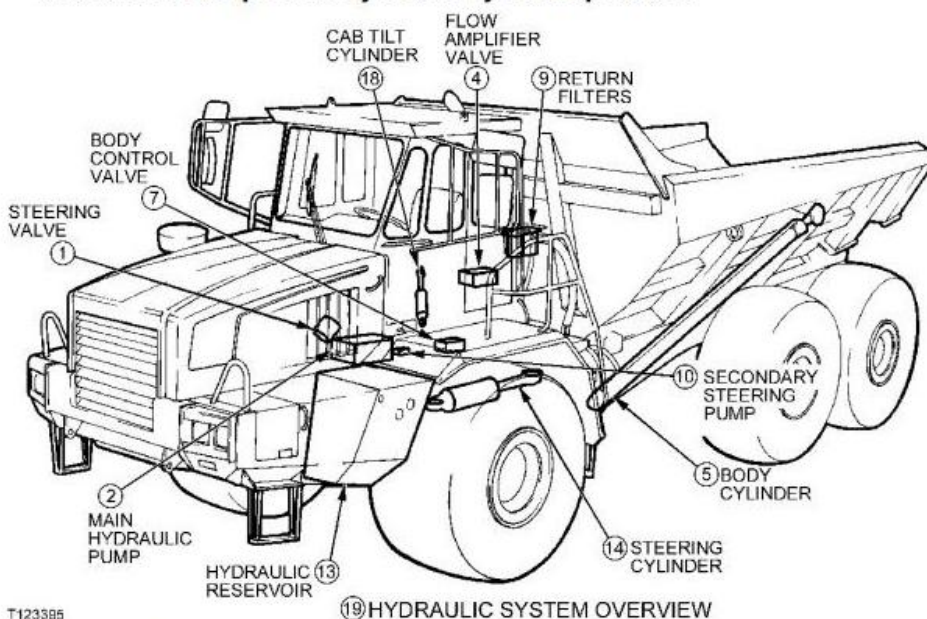
John Deere 350C and 400C Articulated Dump Truck Diagnostic, Operation & Test Service Manual (tm1789)

Section 9025 - HYDRAULIC SYSTEM

Group 05: Theory of Operation

Group 05 - Theory of Operation

Articulated Dump Truck Hydraulic System Operation



T123395

Hydraulic System Overview

LEGEND:

- | | |
|----|---------------------------|
| 1 | Steering Valve |
| 2 | Main Hydraulic Pump |
| 4 | Flow Amplifier Valve |
| 5 | Body Cylinder |
| 7 | Body Control Valve |
| 9 | Return Filters |
| 10 | Secondary Steering Pump |
| 13 | Hydraulic Reservoir |
| 14 | Steering Cylinder |
| 18 | Cab Tilt Cylinder |
| 19 | Hydraulic System Overview |



The articulated dump truck hydraulic system (19) is a closed-center hydraulic system and consists of the steering circuit and body control circuit. The major components of the system are:

- Hydraulic reservoir
- Suction strainer
- Main hydraulic pump
- Flow amplifier valve
- Shuttle valve
- Steering valve
- Left and right steering cylinders
- Body control valve
- Right and left body cylinders
- Return filters

The hydraulic reservoir (13) is a storage compartment for the hydraulic oil used in the system. The reservoir is pressurized by the pneumatic system and controlled by a regulator valve to provide a head of oil to the hydraulic pump. [\(See Pneumatic](#)

Type: Service Manual

Language: English

Pages: 659

Format: PDF

Features: Bookmarked, searchable, printable

Compatibility: Windows/Mac/Tablet/Mobile

This service manual contains important information for the maintenance, troubleshooting and servicing of the **John Deere 350C and 400C Articulated Dump Truck Diagnostic, Operation & Test Service Manual (tm1789)**

In this manual you will find detailed specifications, illustrations, schematics, diagrams and step-by-step procedures to properly service and diagnose the machine to the manufacturer's standards.

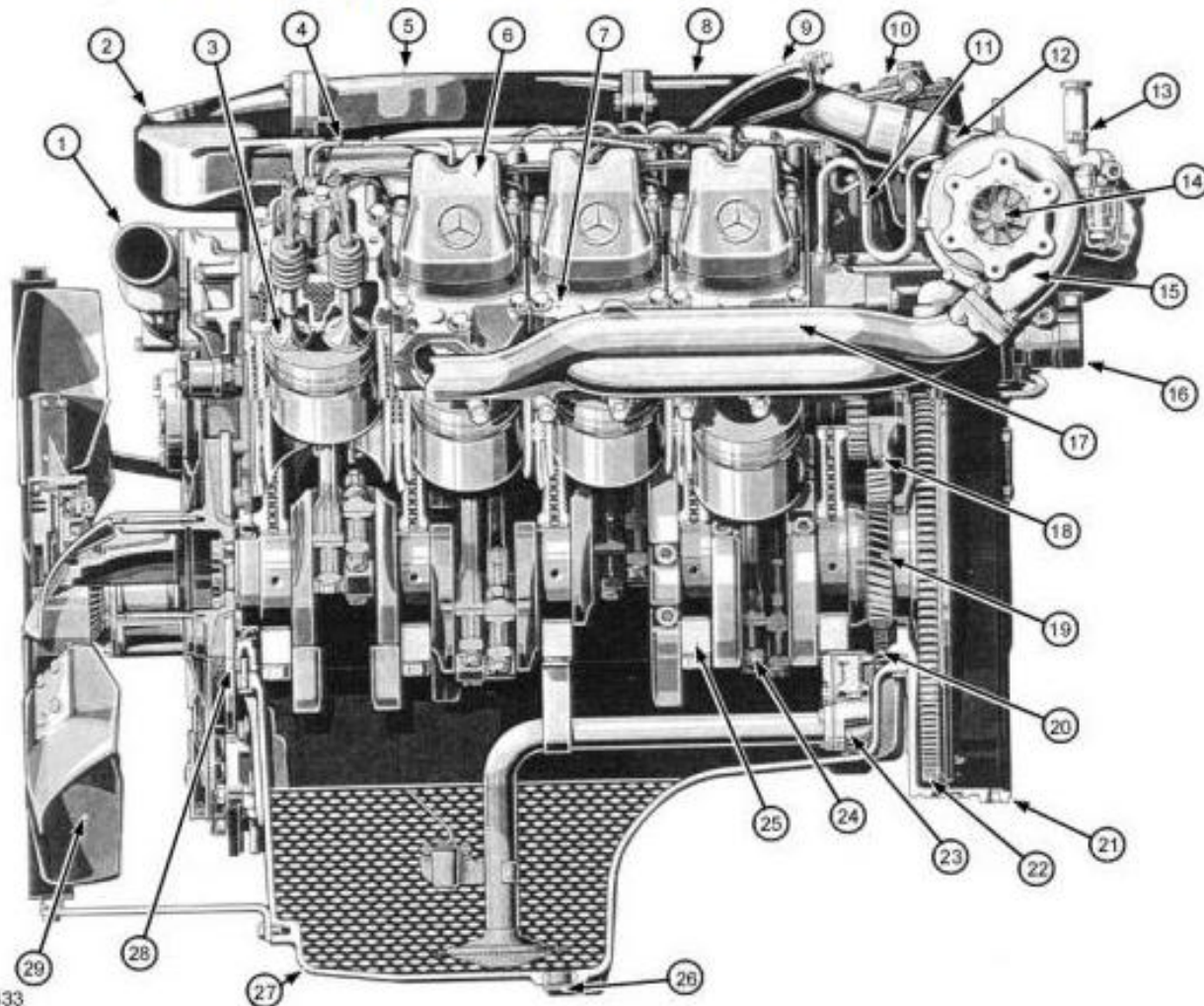
Contents:

- General Information
- Specifications
- Serial Number Location
- Engine Specifications
- Engine Diagnostics
- Engine Tests and Adjustments
- Engine Repair
- Power Train
- Transmission
- Axles
- Differential
- PTO
- Hydraulic System
- Electrical System
- Electrical Tests and Diagnostics
- Wiring Diagram / Schematic
- Ignition and Charging
- Steering
- Brakes
- Wheels
- Operator's Platform
- Body Panels
- Disassembly and Assembly
- Diagnostics, Tests and Adjustments
- Troubleshooting
- and much more...

Please note this manual is in **downloadable PDF format only**. If you have any questions about this product or would like to request sample pages, please contact us and reference the product name or SKU.

Group 05 - Theory of Operation

350C (OM 442A) Engine Sectional View



T122433

350C Engine

LEGEND:

1	Cooling Water Outlet (To Radiator)
2	Charge Air Traverse Connection Line
3	Exhaust Valve
4	Charge Air Line, Left
5	Cylinder Head Cover
6	Cylinder Head Cover
7	Cylinder Head
8	Charge Air Line (Turbocharger Side)
9	Fuel Return Line
10	Fuel Double Filter
11	Oil Supply Line (To Turbocharger)
12	Compressor
13	Fuel Priming Pump
14	Turbine Wheel
15	Turbine
16	Power Steering Pump
17	Exhaust Manifold
18	Camshaft Gear
19	Crankshaft Gear
20	Oil Pump Drive Gear



Thank you very much
for your reading.
Please click here
to get more information.