


John Deere 350DLC Excavator Service Repair Technical Manual (TM2360)

310L EP Backhoe Loader
Diagnostic





OPERATION AND TEST MANUAL

Backhoe Loaders model 310L EP (PIN: 1T0310ELG273920-329327)**


TM13289X19 16 FEB 16 (ENGLISH)

For complete service information also see:

310L EP Backhoe Loader Repair	TM13290X19
JDLink (MTG) Technical Manual	TM114519
PowerTech E 4.5 and 6.8L Diesel Engines Level 16 Electronic Fuel System With Denso HPCR	CTM502
120 Series Hydraulic Cylinders	CTM120519
PowerTech 4.5L Diesel Engines Tier 1/Stage I, Tier 2/Stage II, Tier 3/Stage IIIA, Tier 3/Stage IIIB	CTM104

PDF  **DOWNLOAD** 

John Deere Construction and Forestry
Printed by Belgreen



TM13289X19

Type: Service Manual

Language: English

Pages: 443

Format: PDF

Features: Bookmarked, searchable, printable

Compatibility: Windows/Mac/Tablet/Mobile

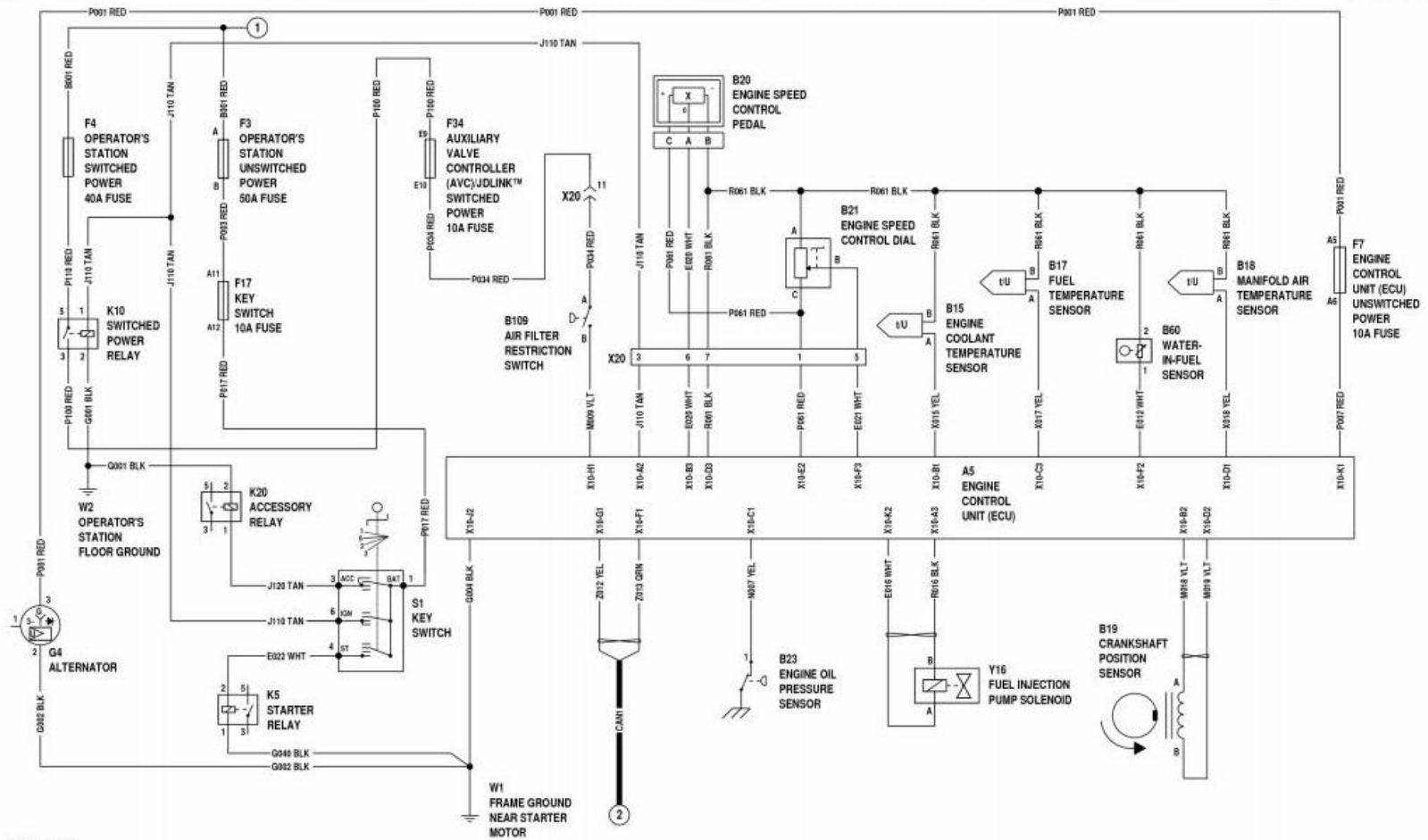
This service manual contains important information for the maintenance, troubleshooting and servicing of the **John Deere 350DLC Excavator Service Repair Technical Manual (TM2360)**

In this manual you will find detailed specifications, illustrations, schematics, diagrams and step-by-step procedures to properly service and diagnose the machine to the manufacturer's standards.

Contents:

- General Information
- Specifications
- Serial Number Location
- Engine Specifications
- Engine Diagnostics
- Engine Tests and Adjustments
- Engine Repair
- Power Train
- Transmission
- Axles
- Differential
- PTO
- Hydraulic System
- Electrical System
- Electrical Tests and Diagnostics
- Wiring Diagram / Schematic
- Ignition and Charging
- Steering
- Brakes
- Wheels
- Operator's Platform
- Body Panels
- Disassembly and Assembly
- Diagnostics, Tests and Adjustments
- Troubleshooting
- and much more...

Please note this manual is in **downloadable PDF format only**. If you have any questions about this product or would like to request sample pages, please contact us and reference the product name or SKU.



TX1198825
 Engine Control Unit (ECU) Circuit Theory of Operation Schematic (engine model 4D4377096)



Thank you very much
for your reading.
Please click here
to get more information.