


# John Deere 350GLC (PIN: 1FF350GX\_F809192-) Excavator Service Repair Technical Manual (TM13207X19)

250D and 300D Series II  
Articulated Dump Truck  
TIER 3 Diagnostic





**OPERATION AND TEST MANUAL**

**Tier 3 / Stage 3A models 250D, 300D Series II (SN: 626761-642000)**


**TM11516 30 AUG 15 (ENGLISH)**

For complete service information also see:

250D and 300D Series II Articulated Dump Truck Repair	TM11517
JDLink (MTG) Technical Manual	TM114519
Alternators and Starting Motors	CTM77
OEM Engine Accessories	CTM67
PowerTech 9.0L OEM Diesel Engine (2000 Tier 3 / Stage IIIA Emissions Certified Base Engine)	CTM400
PowerTech 6090 Diesel Engine (2000 Tier 3 / Stage IIIA Emissions Certified Base Engine)	CTM400
Denso High Pressure Fuel Pump	CTM400
Super Caddy Oil Cleanup	CTM400
PowerTech 6.8L and 8.1L Diesel Engines (2000 Tier 3 / Stage IIIA Emissions Certified Base Engine)	CTM400
Electronic Fuel Systems with (2000 Tier 3 / Stage IIIA Emissions Certified Base Engine)	CTM400
120 Series Hydraulic Cylinders	CTM120519
120 Series Hydraulic Cylinders	CTM114319
JDLink/ZXLink Machine Monitoring System	CTM10006

**PDF**  **DOWNLOAD** 

John Deere Construction and Forestry  
Printed by Belgroen



TM11516

**Covers:** 350GLC,1FF350GX\_F809192-)

**Type:** Service Manual

**Language:** English

**Pages:** 619

**Format:** PDF

**Features:** Bookmarked, searchable, printable

**Compatibility:** Windows/Mac/Tablet/Mobile

This service manual contains important information for the maintenance, troubleshooting and servicing of the **John Deere 350GLC (PIN: 1FF350GX\_F809192-) Excavator Service Repair Technical Manual (TM13207X19)**

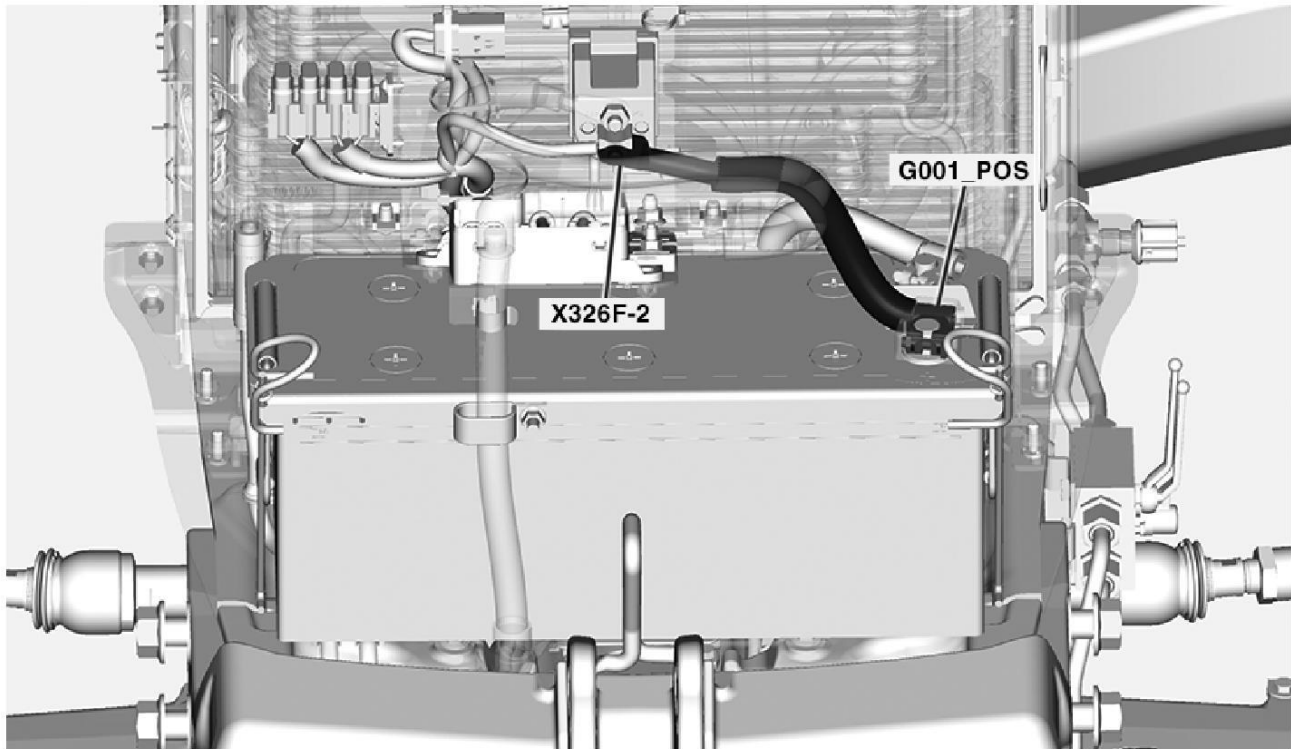
In this manual you will find detailed specifications, illustrations, schematics, diagrams and step-by-step procedures to properly service and diagnose the machine to the manufacturer's standards.

**Contents:**

- General Information
- Specifications
- Serial Number Location
- Engine Specifications
- Engine Diagnostics
- Engine Tests and Adjustments
- Engine Repair
- Power Train
- Transmission
- Axles
- Differential
- PTO
- Hydraulic System
- Electrical System
- Electrical Tests and Diagnostics
- Wiring Diagram / Schematic
- Ignition and Charging
- Steering
- Brakes
- Wheels
- Operator's Platform
- Body Panels
- Disassembly and Assembly
- Diagnostics, Tests and Adjustments
- Troubleshooting
- and much more...

Please note this manual is in **downloadable PDF format only**. If you have any questions about this product or would like to request sample pages, please contact us and reference the product name or SKU.

### W\_PWR01/1: Battery Plus Cable to Battery Cut-Off Relay



AL176514A6RC-UN: W\_PWR01/1

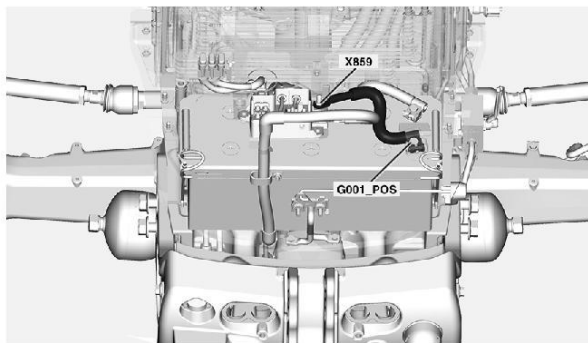
**NOTE:**

The wiring harness shown is for a machine equipped with all relevant components available. The wiring harness installed in the tractor may be different.

CK69047,000033E-19-20170706

### W\_PWR01/2: Battery Plus Cable to PLB

AL176514ARC-UN: W\_PWR01/2



**NOTE:**

The wiring harness shown is for a machine equipped with all relevant components available. The wiring harness installed in the tractor may be different.

CK69047,0000340-19-20170706



Thank you very much  
for your reading.  
Please click here  
to get more information.