

John Deere 3520, 3522 (SN.-120020) Wheel Sugar Cane Harvesters Diagnostic Service Manual (TM100519)

2653 Professional Utility Mower



JOHN DEERE



Covers: 3520,120700),3522,120020)

Type: Service Manual

Language: English

Pages: 2140

Format: PDF

Features: Bookmarked, searchable, printable

Compatibility: Windows/Mac/Tablet/Mobile

This service manual contains important information for the maintenance, troubleshooting and servicing of the **John Deere 3520, 3522 (SN.-120020) Wheel Sugar Cane Harvesters Diagnostic Service Manual (TM100519)**

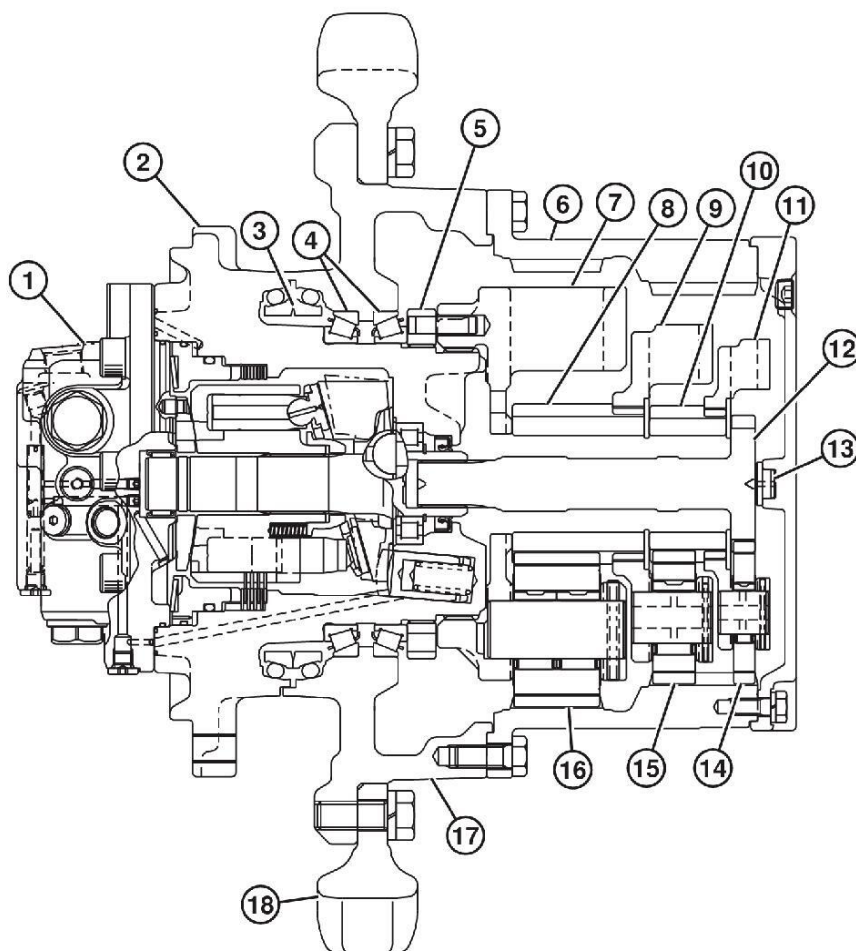
In this manual you will find detailed specifications, illustrations, schematics, diagrams and step-by-step procedures to properly service and diagnose the machine to the manufacturer's standards.

Contents:

- General Information
- Specifications
- Serial Number Location
- Engine Specifications
- Engine Diagnostics
- Engine Tests and Adjustments
- Engine Repair
- Power Train
- Transmission
- Axles
- Differential
- PTO
- Hydraulic System
- Electrical System
- Electrical Tests and Diagnostics
- Wiring Diagram / Schematic
- Ignition and Charging
- Steering
- Brakes
- Wheels
- Operator's Platform
- Body Panels
- Disassembly and Assembly
- Diagnostics, Tests and Adjustments
- Troubleshooting
- and much more...

Please note this manual is in **downloadable PDF format only**. If you have any questions about this product or would like to request sample pages, please contact us and reference the product name or SKU.

Travel Gear Case Operation

**TX1001983**

TX1001983-UN: Travel Gear Case Operation

LEGEND:

1-Park Brake Valve Housing
2-Travel Motor Housing
3-Metal Face Seal
4-Bearing Cone and Cup (2 used)
5-Bearing Nut
6-Ring Gear

7-Third Stage Carrier
8-Third Stage Sun Gear
9-Second Stage Carrier
10-Second Stage Sun Gear
11-First Stage Carrier
12-First Stage Sun Gear (input shaft)

13-Thrust Pad
14-First Stage Planetary Gear
15-Second Stage Planetary Gear
16-Third Stage Planetary Gear
17-Drum
18-Sprocket

The travel gear case is a triple-reduction gear system. The travel gear case converts high-speed, low-torque from travel motor into low-speed, high-torque rotation. The gear case is interchangeable from right side to left side of machine. Travel gear case housing is fastened to the track frame.

The travel motor drive shaft is connected to the first stage sun gear (input shaft) (12) by a spline coupler. Travel motion is transferred from the first stage sun gear to the sprocket (18) by three planetary gear sets that mesh with the ring gear (6). As the first stage sun gear is rotated, it rotates the first stage planetary gear (14), causing the first stage carrier (11) to rotate.

The first stage carrier is connected to second stage sun gear (10). The second stage sun gear meshes with the second stage planetary gear (15). The second stage planetary gear is connected to the second stage carrier (9). The second stage carrier is connected to the third stage sun gear (8). The third stage sun gear rotates the third stage planetary gear (16). The third stage planetary gear is fastened to the gear case housing and does not rotate. Rotation is transferred to the ring gear. The ring gear, drum



Thank you very much
for your reading.
Please click here
to get more information.