

John Deere 370E, 410E, 460E Articulated Dump Truck (SN:D634583-668586) Service Repair Manual (TM13032)

9660 CTS Combine (705401-) - Diagnosis

OPERATION AND TEST MANUAL

Combines models 9660CTS

TM2172 12 NOV 09 (ENGLISH)

For complete service information also see:

925D (705701-), 930D (705851-), 936D (705951-) Draper Platforms - Diagnostic	TM2174
9660 CTS Combine Repair	TM2171
900P Belt Pickup (705101-) - Diagnosis and Test	TM2170
90 Series Corn Heads (705101-) - Diagnostic	TM2168
600 F&R Series Diagnostic	TM2166
PowerTech 8.1 L Engine	
Alternators and Starting	
OEM Engine Accessories	CTM67
PowerTech 9.0 L OEM Diesel Engines Base Engine Repair	CTM400
PowerTech 8.1L Diesel Engines Level 9 Electronic Fuel System With Denso High Pressure Common Rail	CTM255



DOWNLOAD



John Deere Agriculture

Type: Service Manual

Language: English

Pages: 574

Format: PDF

Features: Bookmarked, searchable, printable

Compatibility: Windows/Mac/Tablet/Mobile

This service manual contains important information for the maintenance, troubleshooting and servicing of the **John Deere 370E, 410E, 460E Articulated Dump Truck (SN:D634583-668586) Service Repair Manual (TM13032)**

In this manual you will find detailed specifications, illustrations, schematics, diagrams and step-by-step procedures to properly service and diagnose the machine to the manufacturer's standards.

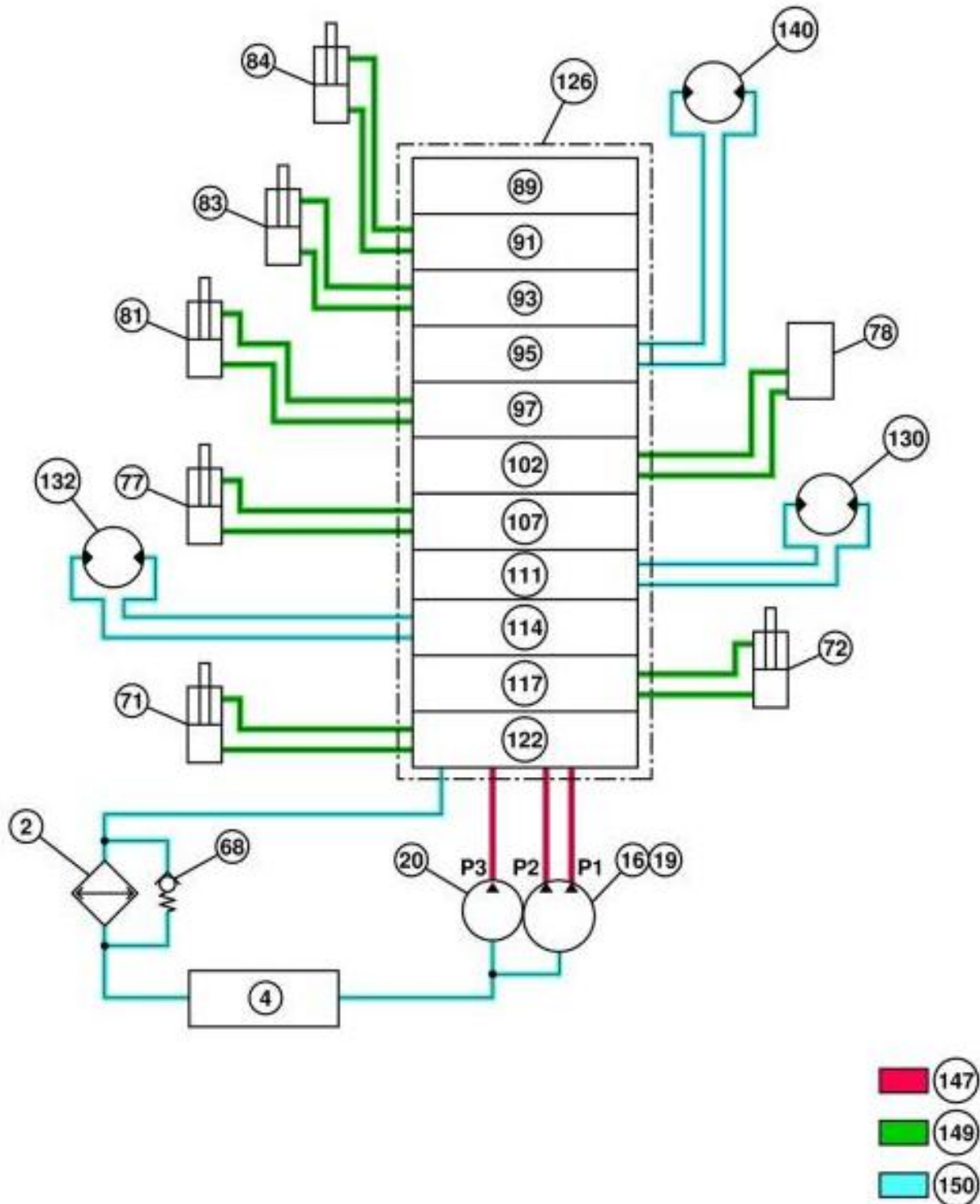
Contents:

- General Information
- Specifications
- Serial Number Location
- Engine Specifications
- Engine Diagnostics
- Engine Tests and Adjustments
- Engine Repair
- Power Train
- Transmission
- Axles
- Differential
- PTO
- Hydraulic System
- Electrical System
- Electrical Tests and Diagnostics
- Wiring Diagram / Schematic
- Ignition and Charging
- Steering
- Brakes
- Wheels
- Operator's Platform
- Body Panels
- Disassembly and Assembly
- Diagnostics, Tests and Adjustments
- Troubleshooting
- and much more...

Please note this manual is in **downloadable PDF format only**. If you have any questions about this product or would like to request sample pages, please contact us and reference the product name or SKU.

Group 05 - Theory of Operation

Hydraulic System Diagram



TX1013317

Hydraulic System Diagram

LEGEND:

2 Oil Cooler



Thank you very much
for your reading.
Please click here
to get more information.