



John Deere 3756G and 3756GLC (SN. F376001-) Log Loader Service Repair Technical Manual (TM14024X19)

844K 4WD Loader (S.N. before 642007)

REPAIR TECHNICAL MANUAL
4WD Loaders models 844K (SN. —642007)
TM10701 26 FEB 16 (ENGLISH)

For complete service information also see:

JDLink (MTG) Technical Manual	TM114519
844K 4WD Loader (SN. —642007)	TM10700
PowerTech, PowerTech Plus & PowerTech E 13.5L OEM Diesel Engines Base Engine Repair	CTM415
PowerTech 6135 Diesel Engines Fuel Systems With Delphi EUIs	CTM370
Super Caddy Oil	
120 Series Hydraulic Cylinders	CTM114519
185 Series Hydraulic Cylinders	CTM109319
120 Series Hydraulic Cylinders	CTM109319
125 Series Hydraulic Cylinders	CTM10090X19
COOLANT HEATER SERVICE MANUAL	CTM10006
JDLINK/ZXLINK Machine Monitoring System	CTM10006

PDF  **DOWNLOAD** 

John Deere Construction and Forestry
Printed by Belgreen

TM10701

Covers: 3756G,3756GLC,1FF3756G_,_F376001 (7 icons)

Type: Service Manual

Language: English

Pages: 424

Format: PDF

Features: Bookmarked, searchable, printable

Compatibility: Windows/Mac/Tablet/Mobile

This service manual contains important information for the maintenance, troubleshooting and servicing of the **John Deere 3756G and 3756GLC (SN. F376001-) Log Loader Service Repair Technical Manual (TM14024X19)**

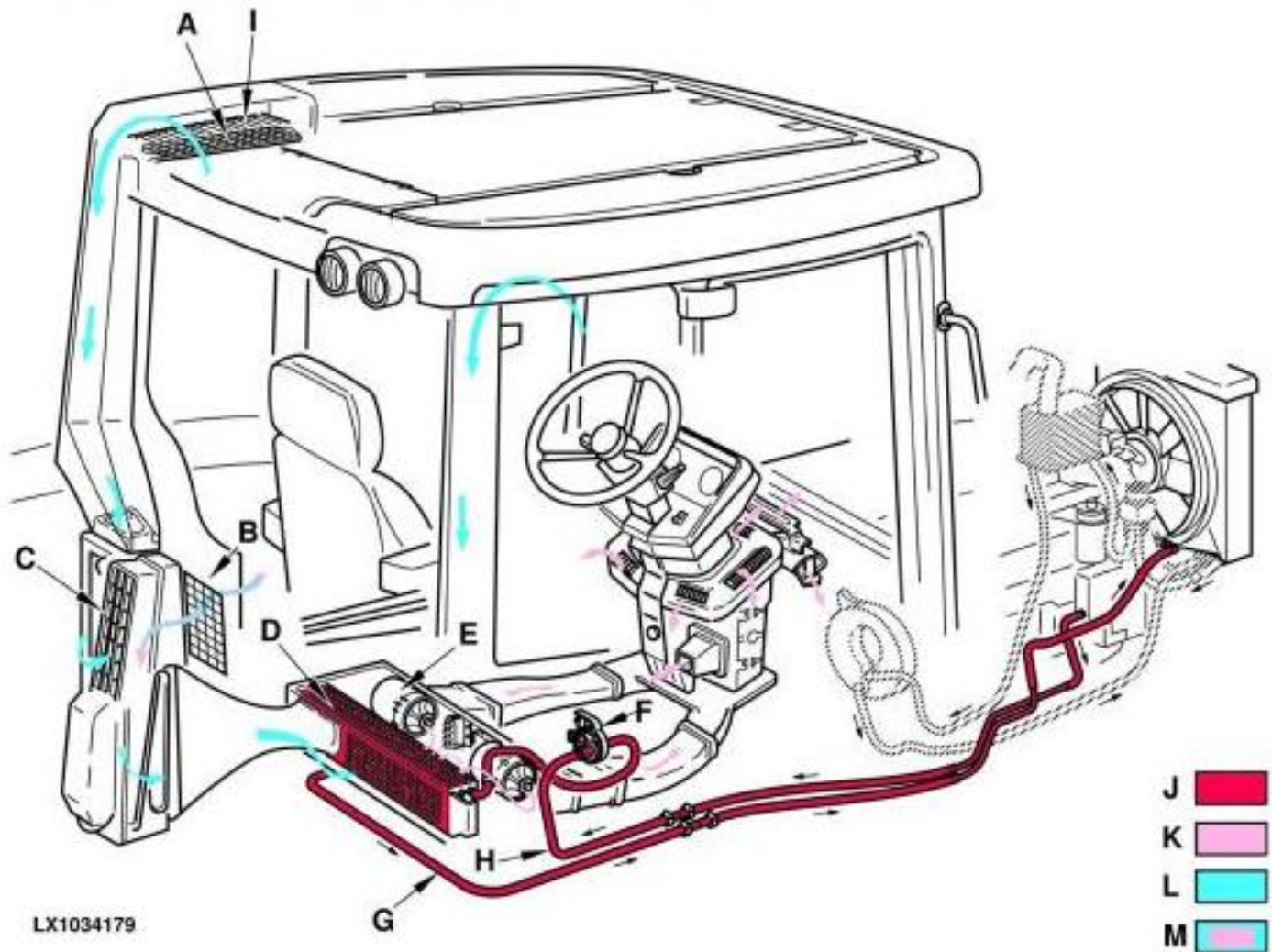
In this manual you will find detailed specifications, illustrations, schematics, diagrams and step-by-step procedures to properly service and diagnose the machine to the manufacturer's standards.

Contents:

- General Information
- Specifications
- Serial Number Location
- Engine Specifications
- Engine Diagnostics
- Engine Tests and Adjustments
- Engine Repair
- Power Train
- Transmission
- Axles
- Differential
- PTO
- Hydraulic System
- Electrical System
- Electrical Tests and Diagnostics
- Wiring Diagram / Schematic
- Ignition and Charging
- Steering
- Brakes
- Wheels
- Operator's Platform
- Body Panels
- Disassembly and Assembly
- Diagnostics, Tests and Adjustments
- Troubleshooting
- and much more...

Please note this manual is in **downloadable PDF format only**. If you have any questions about this product or would like to request sample pages, please contact us and reference the product name or SKU.

Ventilation/Heating - Summary of Components



Heating and ventilation

LEGEND:

A	Air inlets, left and right
B	Recirculating air filter (2 used)
C	Air filter (2 used)
D	Radiator
E	Fan (2 used)
F	Heater valve
G	Return (to coolant pump)
H	Inlet (from cylinder block)
I	Baffle (2 used)
J	Hot coolant
K	Warm air
L	Cold or fresh air
M	Recirculated air

The heating system is connected to the tractor engine cooling system. Heated coolant solution from the cylinder block passes to the radiator via the heater valve. The heater valve regulates or stops the flow of coolant solution according to the operator's requirements. When the switch is open, engine coolant flows through the radiator and via the return line to the coolant pump.

The two fans suck in air through the air inlets under each side of the cab roof, and baffles (I) prevent water from entering the cab, e.g. when the tractor is being cleaned.

Air then enters the first air chamber through the first air filter. Stale air from the cab passes through the recirculating filter into the first chamber. There it is mixed with cool outside air. This air passes through the heater core where it is warmed in the second chamber. The two fans push warm air through the cab air vents.



Thank you very much
for your reading.
Please click here
to get more information.