

John Deere 381, 388, 488 Hay and Forage Mower-Conditioners All Inclusive Technical Manual (TM300719)

381, 388 and 488 Mower-
Conditioners TM - All
Inclusive



TECHNICAL MANUAL

Mower Conditioners models 381, 388, 488

TM300719 01 JUL 11 (ENGLISH)



John Deere Agriculture
Printed by Belgreen



Covers: 381,388,488

Type: Service Manual

Language: English

Pages: 224

Format: PDF

Features: Bookmarked, searchable, printable

Compatibility: Windows/Mac/Tablet/Mobile

This service manual contains important information for the maintenance, troubleshooting and servicing of the **John Deere 381, 388, 488 Hay and Forage Mower-Conditioners All Inclusive Technical Manual (TM300719)**

In this manual you will find detailed specifications, illustrations, schematics, diagrams and step-by-step procedures to properly service and diagnose the machine to the manufacturer's standards.

Contents:

- General Information
- Specifications
- Serial Number Location
- Engine Specifications
- Engine Diagnostics
- Engine Tests and Adjustments
- Engine Repair
- Power Train
- Transmission
- Axles
- Differential
- PTO
- Hydraulic System
- Electrical System
- Electrical Tests and Diagnostics
- Wiring Diagram / Schematic
- Ignition and Charging
- Steering
- Brakes
- Wheels
- Operator's Platform
- Body Panels
- Disassembly and Assembly
- Diagnostics, Tests and Adjustments
- Troubleshooting
- and much more...

Please note this manual is in **downloadable PDF format only**. If you have any questions about this product or would like to request sample pages, please contact us and reference the product name or SKU.

Group 10 - Hydraulic 381 and 388

Hydraulic 381 and 388 - Summary of References

Hydraulic 381 and 388 - Summary of References

Specifications

Hydro-Pneumatic Accumulators Configurations

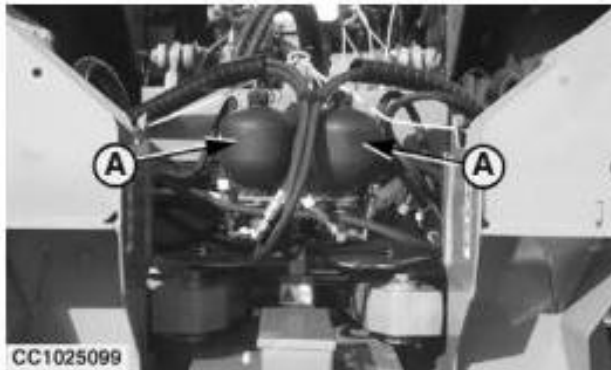
Adjust Transport Cylinder Yokes

Load Sensing (Up to SN 283699)

Specifications

Item	Measurement	Specification
Hydro-pneumatic accumulator initial pressure—381 Mower-conditioner	Pressure	12000 kPa (120 bar; 1740 psi)
Hydro-pneumatic accumulator initial pressure—388 Mower-conditioner	Pressure	13000 kPa (130 bar; 1885 psi)
Relief Valve Adjusting Screw	Length	11.5 mm ± 0.2 mm (0.45 ± 0.007 in.)

Hydro-Pneumatic Accumulator Configurations

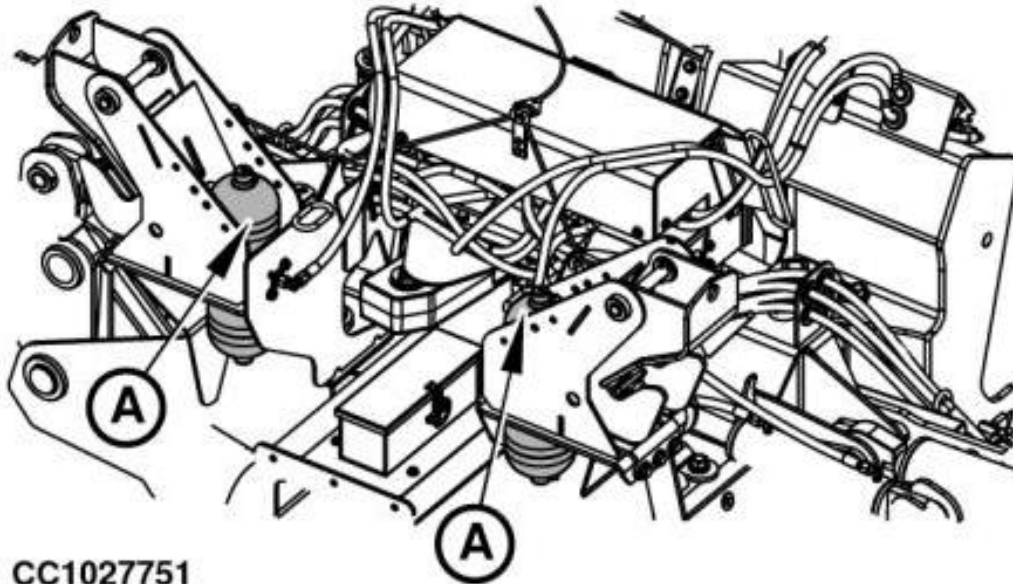


LEGEND:

A Accumulators, 4 used

Hydro-Pneumatic Accumulators

Machine up to SN 283699 Configuration:



Hydro-Pneumatic Accumulators

LEGEND:

A Accumulators, 4 used

Machine From SN 283700 up to SN 286922 Configuration:



Thank you very much
for your reading.
Please click here
to get more information.