

John Deere 4055, 4255, 4455 Tractors Diagnosis and Tests Service Technical Manual (tm1459)

460R, 460R Precutter,
560R, and 560R
Precutter Round Baler



JOHN HARE



COLLECTION

TECHNICAL MANUAL

460R, 460R Precutter, 560R, and 560R Precutter
Round Baler

TM148019 01DEC18 (ENGLISH)



John Deere Ottumwa Works

Covers: 4055,4255,4455

Type: Service Manual

Language: English

Pages: 840

Format: PDF

Features: Bookmarked, searchable, printable

Compatibility: Windows/Mac/Tablet/Mobile

This service manual contains important information for the maintenance, troubleshooting and servicing of the **John Deere 4055, 4255, 4455 Tractors Diagnosis and Tests Service Technical Manual (tm1459)**

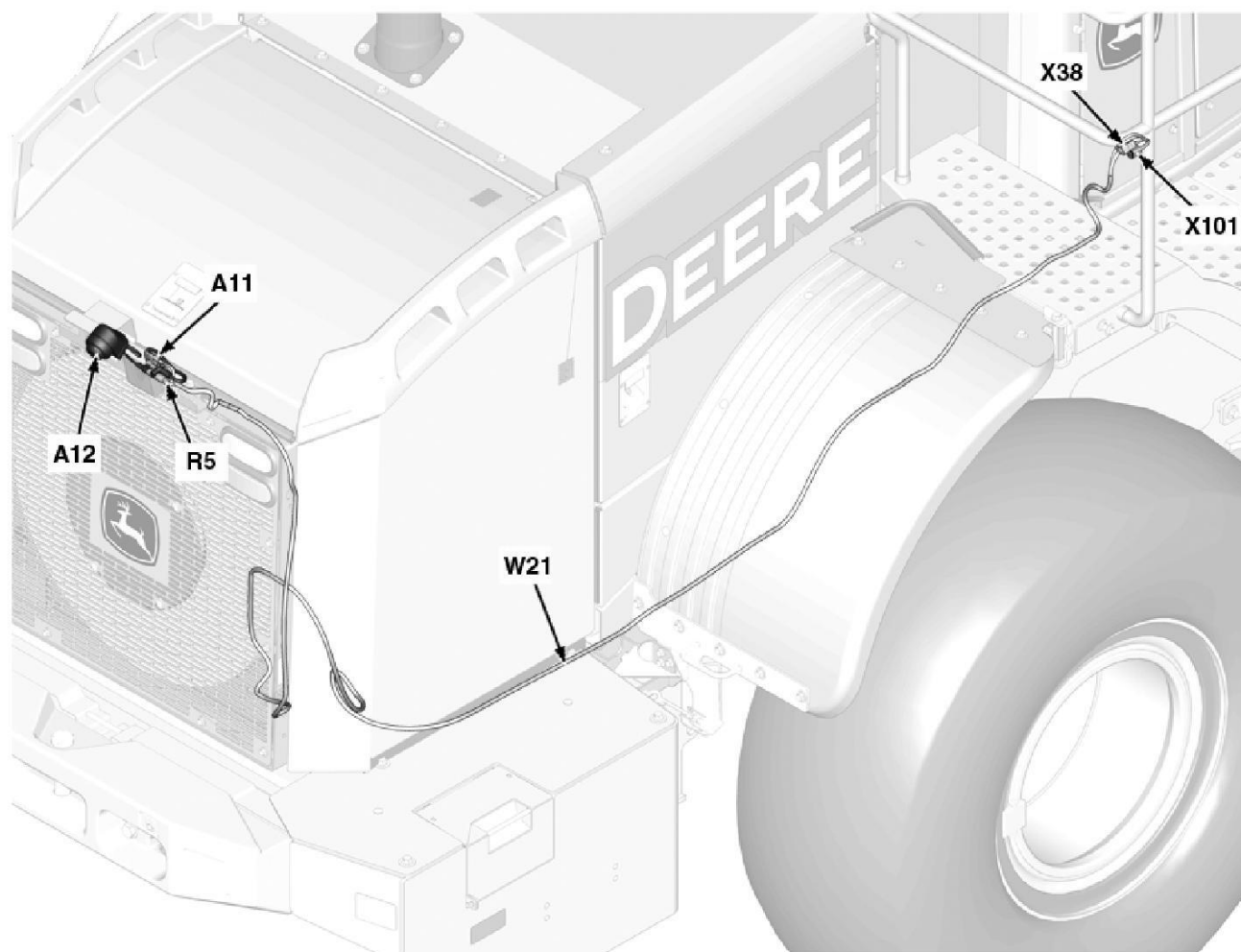
In this manual you will find detailed specifications, illustrations, schematics, diagrams and step-by-step procedures to properly service and diagnose the machine to the manufacturer's standards.

Contents:

- General Information
- Specifications
- Serial Number Location
- Engine Specifications
- Engine Diagnostics
- Engine Tests and Adjustments
- Engine Repair
- Power Train
- Transmission
- Axles
- Differential
- PTO
- Hydraulic System
- Electrical System
- Electrical Tests and Diagnostics
- Wiring Diagram / Schematic
- Ignition and Charging
- Steering
- Brakes
- Wheels
- Operator's Platform
- Body Panels
- Disassembly and Assembly
- Diagnostics, Tests and Adjustments
- Troubleshooting
- and much more...

Please note this manual is in **downloadable PDF format only**. If you have any questions about this product or would like to request sample pages, please contact us and reference the product name or SKU.

Radar Object Detection (ROD) Harness (W21) Component Location



TX1146430A-UN: Radar Object Detection Harness (W21) Component Location

LEGEND:

A11-Radar Object Detection (ROD) Sensor
A12-Rear Camera
R5-CAN 2 Termination Resistor
W21-Radar Object Detection (ROD) Harness

**X38-R5 CAN 2 Termination Resistor or Load
 Center Harness-to-ROD Harness 3-Pin
 Connector**

**X101-Load Center Harness-to-Radar Object
 Detection (ROD) Harness 6-Pin
 Connector**

RK40399,00010C9-19-20160204



Thank you very much
for your reading.
Please click here
to get more information.