

# John Deere 440E and 450E Round Balers Technical Service Manual (TM148319)

## 1842GV & 1842HV SABRE YARD TRACTORS



John Deere  
Worldwide Commercial And  
Consumer Products Division  
TM1740 (01Jan98)

Litho in U.S.A.

**Covers:** 440E,450E

**Type:** Service Manual

**Language:** English

**Pages:** 488

**Format:** PDF

**Features:** Bookmarked, searchable, printable

**Compatibility:** Windows/Mac/Tablet/Mobile

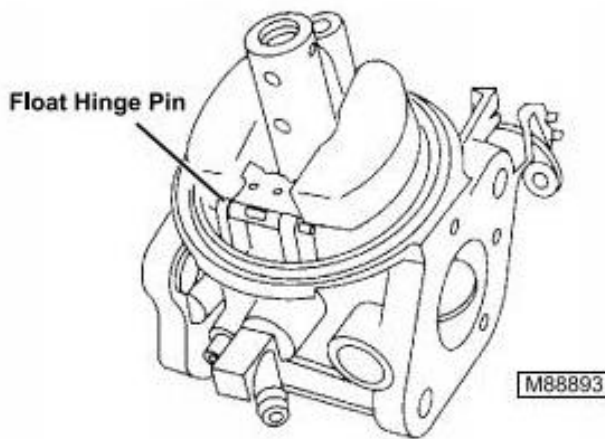
This service manual contains important information for the maintenance, troubleshooting and servicing of the **John Deere 440E and 450E Round Balers Technical Service Manual (TM148319)**

In this manual you will find detailed specifications, illustrations, schematics, diagrams and step-by-step procedures to properly service and diagnose the machine to the manufacturer's standards.

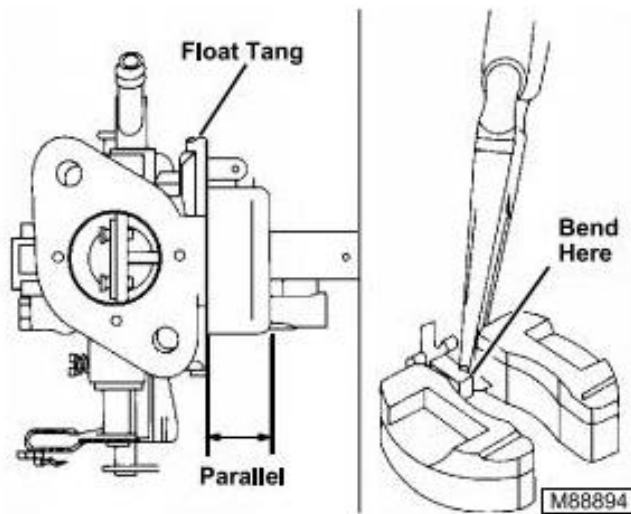
**Contents:**

- General Information
- Specifications
- Serial Number Location
- Engine Specifications
- Engine Diagnostics
- Engine Tests and Adjustments
- Engine Repair
- Power Train
- Transmission
- Axles
- Differential
- PTO
- Hydraulic System
- Electrical System
- Electrical Tests and Diagnostics
- Wiring Diagram / Schematic
- Ignition and Charging
- Steering
- Brakes
- Wheels
- Operator's Platform
- Body Panels
- Disassembly and Assembly
- Diagnostics, Tests and Adjustments
- Troubleshooting
- and much more...

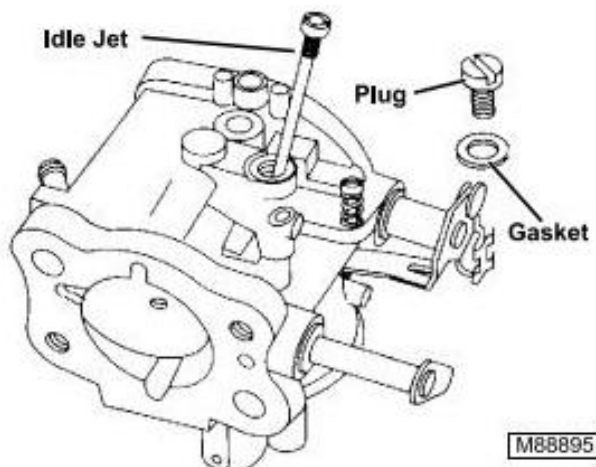
Please note this manual is in **downloadable PDF format only**. If you have any questions about this product or would like to request sample pages, please contact us and reference the product name or SKU.



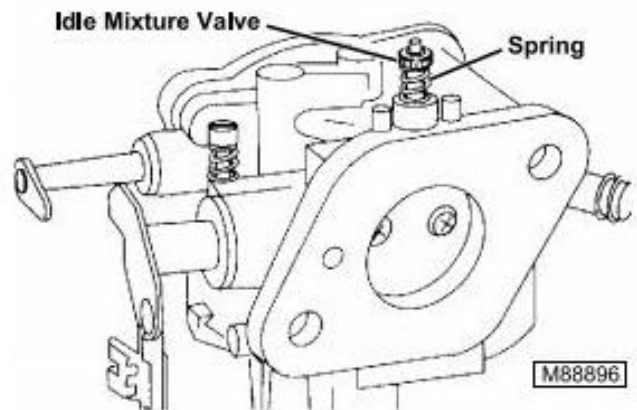
11. Install float hinge pin into place.



12. Hold carburetor in vertical position, with float hinge up. The float should be parallel with carburetor bowl mounting surface. If not, bend tang. DO NOT press on float to adjust.

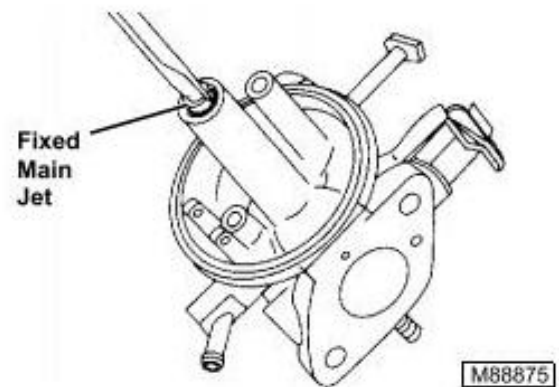


13. Install idle jet, plug and gasket. Tighten plug securely.

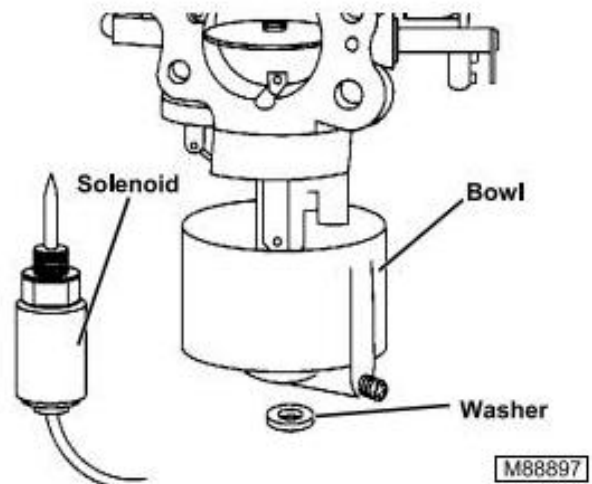


14. Install idle mixture valve and adjustment limiter cap.

*NOTE: Special high altitude jets may be required in certain areas.*



15. Install high speed nozzle and fixed main jet.





Thank you very much  
for your reading.  
Please click here  
to get more information.