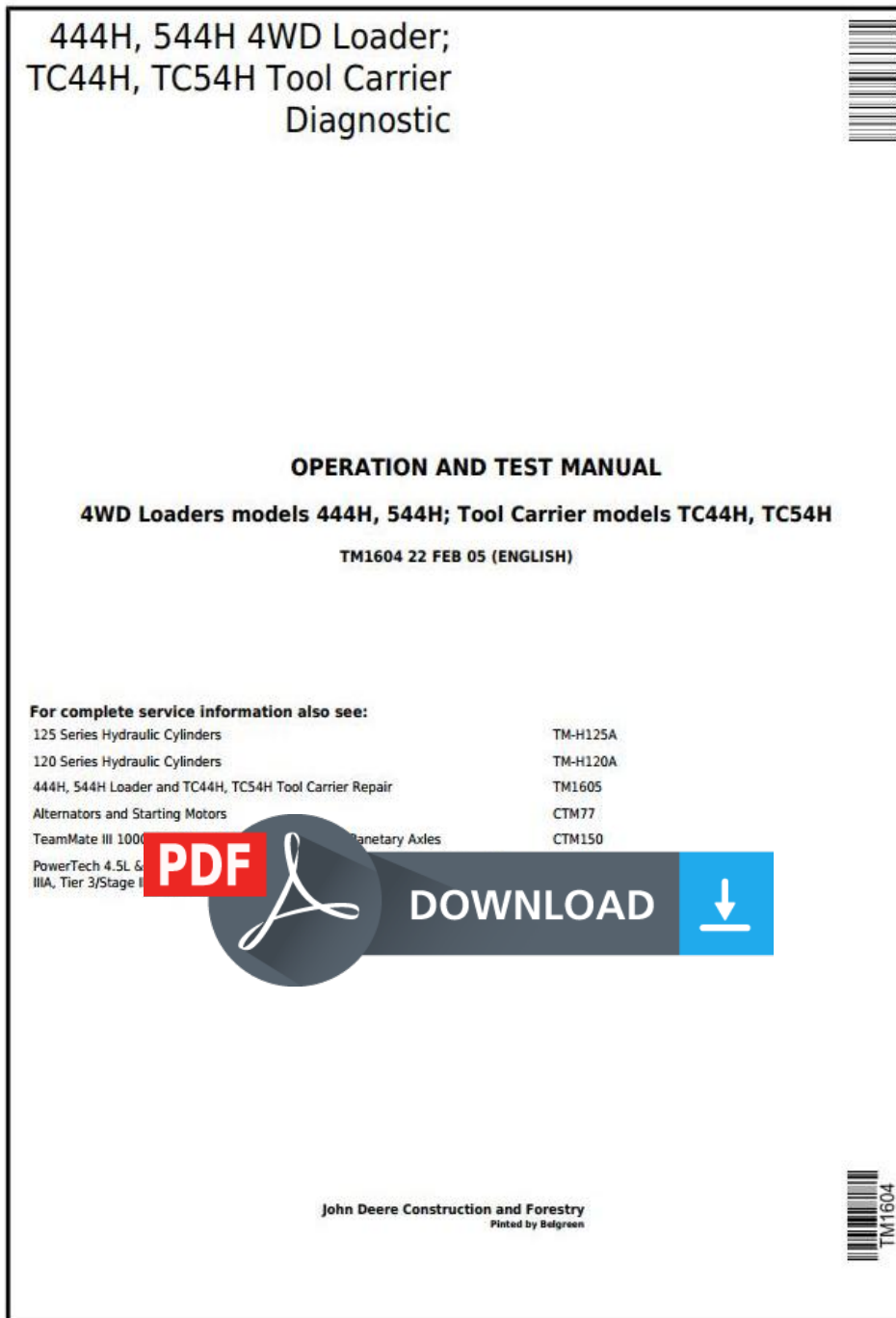


John Deere 444H, 544H 4WD Loader; TC44H, TC54H Tool Carrier Loader Diagnostic Service Manual (tm1604)



Covers: 444H,544H,TC44H,TC54H

Type: Service Manual

Language: English

Pages: 826

Format: PDF

Features: Bookmarked, searchable, printable

Compatibility: Windows/Mac/Tablet/Mobile

This service manual contains important information for the maintenance, troubleshooting and servicing of the **John Deere 444H, 544H 4WD Loader, TC44H, TC54H Tool Carrier Loader Diagnostic Service Manual (tm1604)**

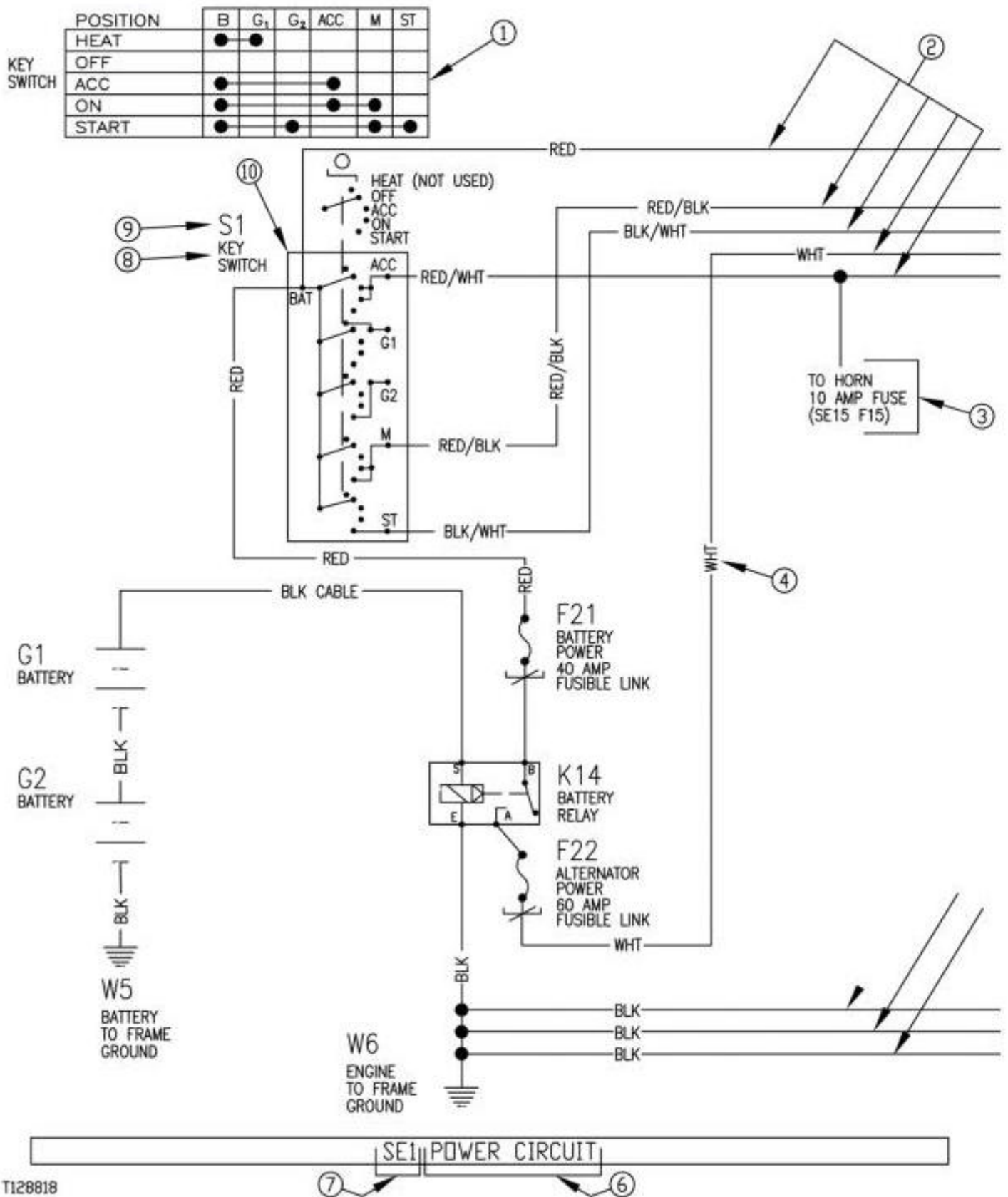
In this manual you will find detailed specifications, illustrations, schematics, diagrams and step-by-step procedures to properly service and diagnose the machine to the manufacturer's standards.

Contents:

- General Information
- Specifications
- Serial Number Location
- Engine Specifications
- Engine Diagnostics
- Engine Tests and Adjustments
- Engine Repair
- Power Train
- Transmission
- Axles
- Differential
- PTO
- Hydraulic System
- Electrical System
- Electrical Tests and Diagnostics
- Wiring Diagram / Schematic
- Ignition and Charging
- Steering
- Brakes
- Wheels
- Operator's Platform
- Body Panels
- Disassembly and Assembly
- Diagnostics, Tests and Adjustments
- Troubleshooting
- and much more...

Please note this manual is in **downloadable PDF format only**. If you have any questions about this product or would like to request sample pages, please contact us and reference the product name or SKU.

Reading a System Functional Schematic



T128818

Reading a System Functional Schematic

- LEGEND:**
- 1 Continuity Chart
 - 2 Power Wires
 - 3 Routing Location Information
 - 4 Wire Identification



Thank you very much
for your reading.
Please click here
to get more information.