

# John Deere 444J (SN.from 611275) 4WD Loader Service Repair Technical Manual (TM10243)

## C441R Wrapping Baler Repair



JOHN HARE



COLLECTION

REPAIR TECHNICAL MANUAL

C441R Wrapping Baler

TM301819 01DEC18 (ENGLISH)

For complete service information also see:

C441R Wrapping Baler Diagnostics..... TM301719



John Deere Arc-les-Gray

**Covers:** 444J,611275

**Type:** Service Manual

**Language:** English

**Pages:** 499

**Format:** PDF

**Features:** Bookmarked, searchable, printable

**Compatibility:** Windows/Mac/Tablet/Mobile

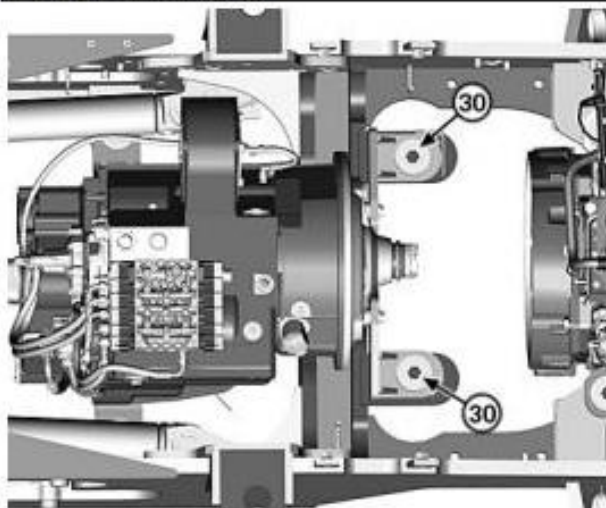
This service manual contains important information for the maintenance, troubleshooting and servicing of the **John Deere 444J (SN.from 611275) 4WD Loader Service Repair Technical Manual (TM10243)**

In this manual you will find detailed specifications, illustrations, schematics, diagrams and step-by-step procedures to properly service and diagnose the machine to the manufacturer's standards.

**Contents:**

- General Information
- Specifications
- Serial Number Location
- Engine Specifications
- Engine Diagnostics
- Engine Tests and Adjustments
- Engine Repair
- Power Train
- Transmission
- Axles
- Differential
- PTO
- Hydraulic System
- Electrical System
- Electrical Tests and Diagnostics
- Wiring Diagram / Schematic
- Ignition and Charging
- Steering
- Brakes
- Wheels
- Operator's Platform
- Body Panels
- Disassembly and Assembly
- Diagnostics, Tests and Adjustments
- Troubleshooting
- and much more...

Please note this manual is in **downloadable PDF format only**. If you have any questions about this product or would like to request sample pages, please contact us and reference the product name or SKU.

**LEGEND:**

30 Cap Screw (2 used)

**Upper Transmission Mount Cap Screws**

Remove upper transmission mount cap screws (30).

**[18] -****LEGEND:**

31 Cap Screw  
 32 Cap Screw  
 33 Mounting Bracket  
 34 Mounting Bracket

**Transmission Mounting Brackets**

Remove lower transmission mount cap screws (31 and 32) and mounting brackets (33 and 34).

**[19] -** Carefully remove transmission and place in D052235T 6000-lb. Engine Repair Stand using JDG1052 Repair Stand Mounting Plate.

6000-LB. Engine Repair Stand

Used to hold transmission during repair

Repair Stand Mounting Plate

JDG1052

**JDG1052**

Used to mount transmission in transmission repair stand

**[20] -** Repair transmission as necessary. For more information, [see Gears, Shafts, Bearings and Power Shift Clutch](#). (Group 0350.)

**[21] -** Install transmission in machine.

**[22] -** Install lower transmission mounts and cap screws. Tighten cap screws to specification.

Item	Measurement	Specification
Lower Mounting Brackets-to-Transmission Cap Screw	Torque	621 N-m



Thank you very much  
for your reading.  
Please click here  
to get more information.