

# John Deere 444K 4WD Loader (SN. from D670308) Service Repair Technical Manual (TM13370X19)



**Covers:** 444K,1DW444K\*\*\*D670308-)

**Type:** Service Manual

**Language:** English

**Pages:** 573

**Format:** PDF

**Features:** Bookmarked, searchable, printable

**Compatibility:** Windows/Mac/Tablet/Mobile

This service manual contains important information for the maintenance, troubleshooting and servicing of the **John Deere 444K 4WD Loader (SN. from D670308) Service Repair Technical Manual (TM13370X19)**

In this manual you will find detailed specifications, illustrations, schematics, diagrams and step-by-step procedures to properly service and diagnose the machine to the manufacturer's standards.

**Contents:**

- General Information
- Specifications
- Serial Number Location
- Engine Specifications
- Engine Diagnostics
- Engine Tests and Adjustments
- Engine Repair
- Power Train
- Transmission
- Axles
- Differential
- PTO
- Hydraulic System
- Electrical System
- Electrical Tests and Diagnostics
- Wiring Diagram / Schematic
- Ignition and Charging
- Steering
- Brakes
- Wheels
- Operator's Platform
- Body Panels
- Disassembly and Assembly
- Diagnostics, Tests and Adjustments
- Troubleshooting
- and much more...

Please note this manual is in **downloadable PDF format only**. If you have any questions about this product or would like to request sample pages, please contact us and reference the product name or SKU.

Hydraulic System Component Location

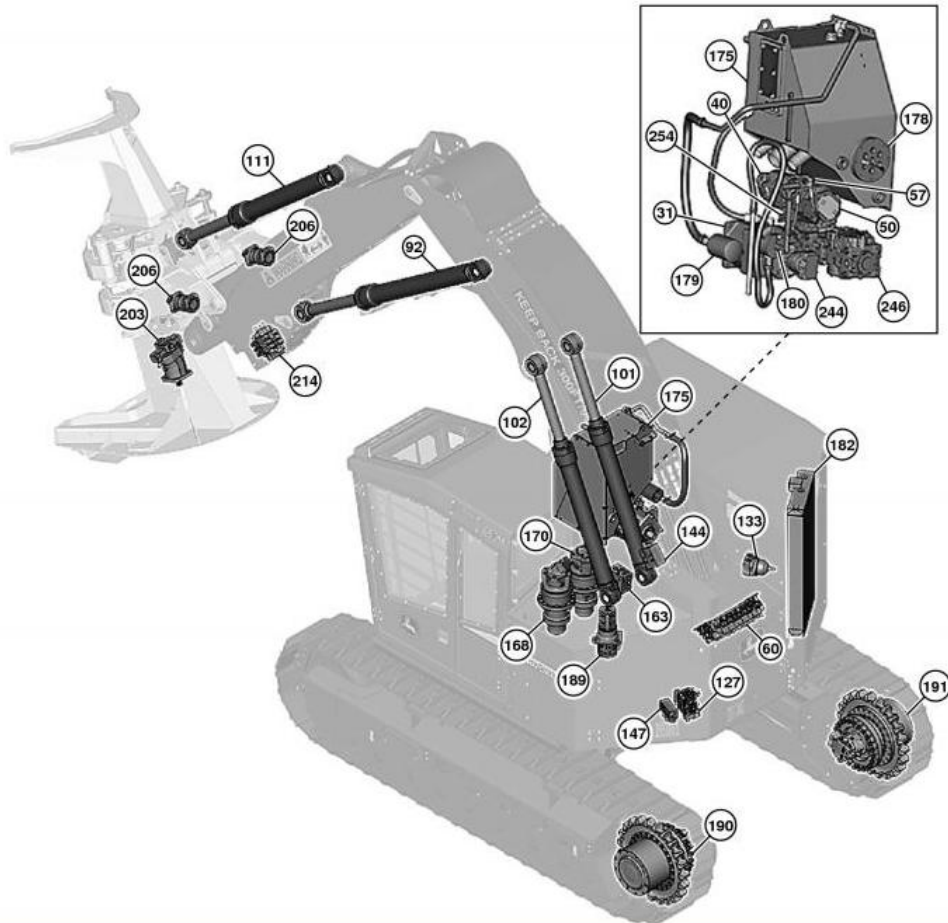


image object

TX1155416

Hydraulic System Component Location (853M)



Thank you very much  
for your reading.  
Please click here  
to get more information.