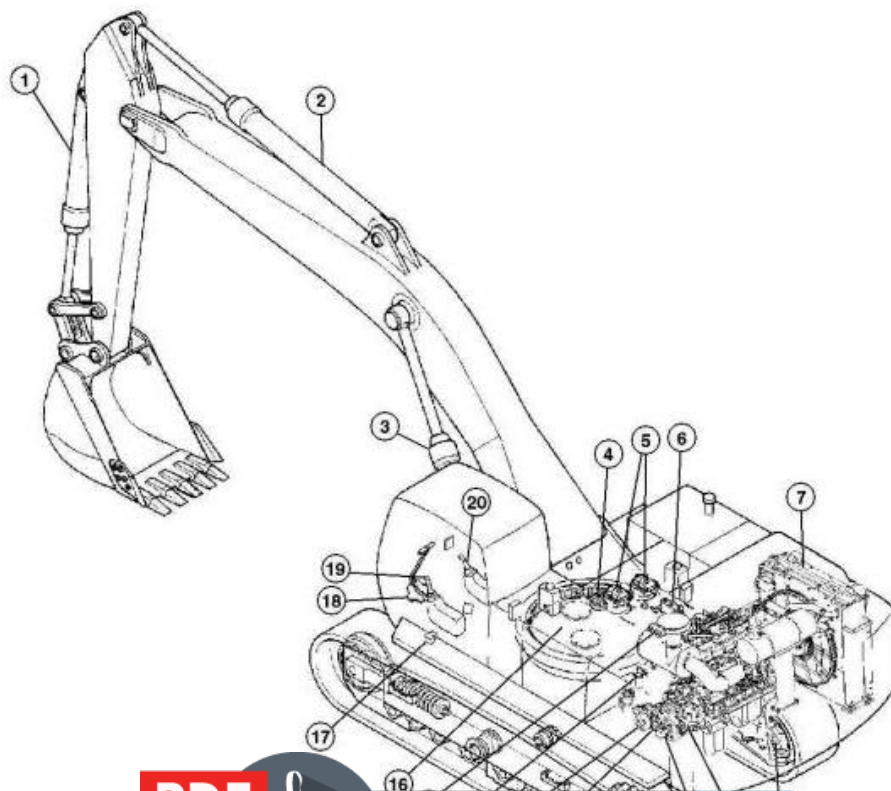


John Deere 450DLC Excavator Diagnostic, Operation and Test Service Manual (TM2361)

Section 9025 - HYDRAULIC SYSTEM

Group 15: Diagnostic Information

Hydraulic System Component Location



TX1003463

Hydraulic System Component Location

LEGEND:

- | | |
|----|------------------------|
| 1 | Bucket Cylinder |
| 2 | Arm Cylinder |
| 3 | Boom Cylinder (2 used) |
| 4 | Center Joint |
| 5 | Swing Motor (2 used) |
| 6 | Control Valve |
| 7 | Hydraulic Oil Cooler |
| 8 | Right Travel Motor |
| 9 | Pump 1 |
| 10 | Pilot Pump |
| 11 | Left Travel Motor |
| 12 | Pump 2 |
| 13 | Fan Drive Pump |

[Go to Section TOC](#)

Section 9025 page 245

450DLC Excavator Diagnostic

Covers: 450DLC

Type: Service Manual

Language: English

Pages: 1046

Format: PDF

Features: Bookmarked, searchable, printable

Compatibility: Windows/Mac/Tablet/Mobile

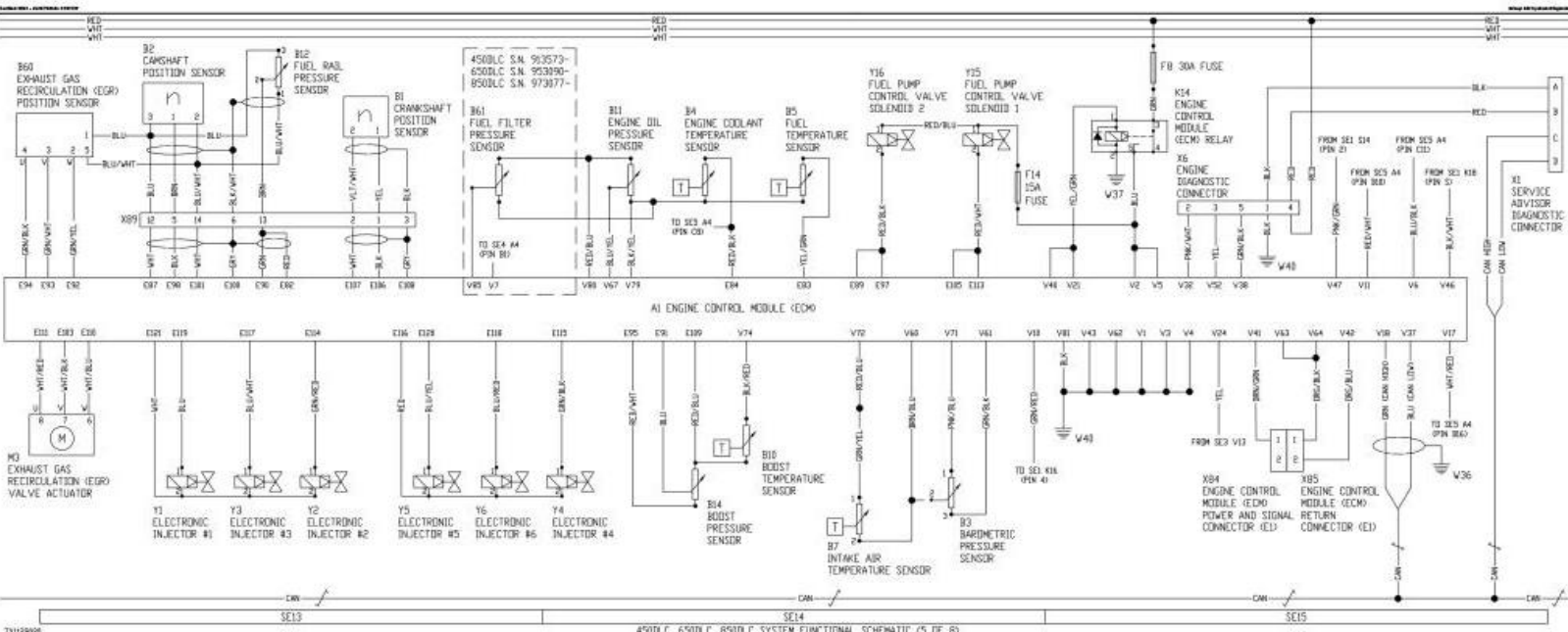
This service manual contains important information for the maintenance, troubleshooting and servicing of the **John Deere 450DLC Excavator Diagnostic, Operation and Test Service Manual (TM2361)**

In this manual you will find detailed specifications, illustrations, schematics, diagrams and step-by-step procedures to properly service and diagnose the machine to the manufacturer's standards.

Contents:

- General Information
- Specifications
- Serial Number Location
- Engine Specifications
- Engine Diagnostics
- Engine Tests and Adjustments
- Engine Repair
- Power Train
- Transmission
- Axles
- Differential
- PTO
- Hydraulic System
- Electrical System
- Electrical Tests and Diagnostics
- Wiring Diagram / Schematic
- Ignition and Charging
- Steering
- Brakes
- Wheels
- Operator's Platform
- Body Panels
- Disassembly and Assembly
- Diagnostics, Tests and Adjustments
- Troubleshooting
- and much more...

Please note this manual is in **downloadable PDF format only**. If you have any questions about this product or would like to request sample pages, please contact us and reference the product name or SKU.



450DLC, 650DLC, 850DLC SYSTEM FUNCTIONAL SCHEMATIC (5 OF 8)



Thank you very much
for your reading.
Please click here
to get more information.