

John Deere 450G, 455G, 550G, 555G, 650G Crawler Dozer/Loader Diagnostic Workshop Service Manual (tm1403)

624K-II 4WD Loader Operation and Test

(PIN: 1DW624K__
_F677549—)



JOHN HARE



COLLECTION

OPERATION & TEST TECHNICAL MANUAL 624K-II 4WD Loader (PIN: 1DW624K__ _F677549—)

TM14146X19 01DEC18 (ENGLISH)

For complete service information also see:

PowerTech 6068 OEM Diesel Engines (Final Tier 4/Stage IV platform) Level 33 ECU ctm120019
624K-II 4WD Loader Repair TM14148X19
TeamMate V 1400 Series Inboard Planetary Axles ctm143819
TeamMate™ IV 1200 Series Inboard Planetary Axles 143819



Worldwide Construction and
Forestry Division

Covers: 450G,455G,550G,555G,650G

Type: Service Manual

Language: English

Pages: 650

Format: PDF

Features: Bookmarked, searchable, printable

Compatibility: Windows/Mac/Tablet/Mobile

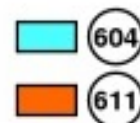
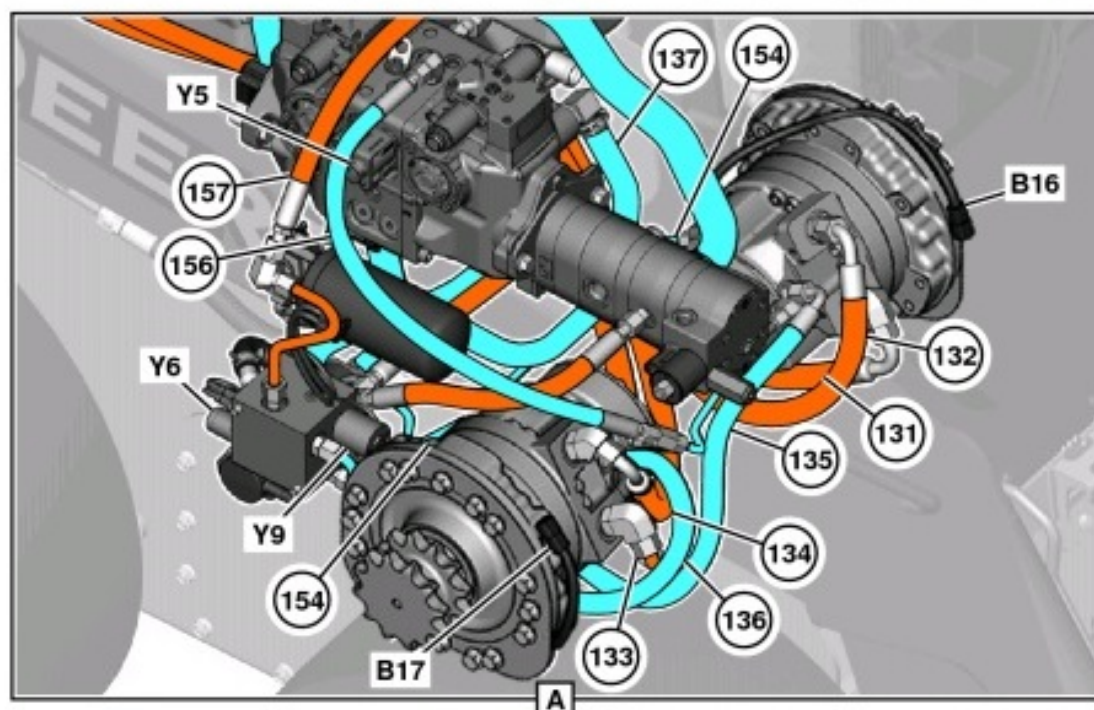
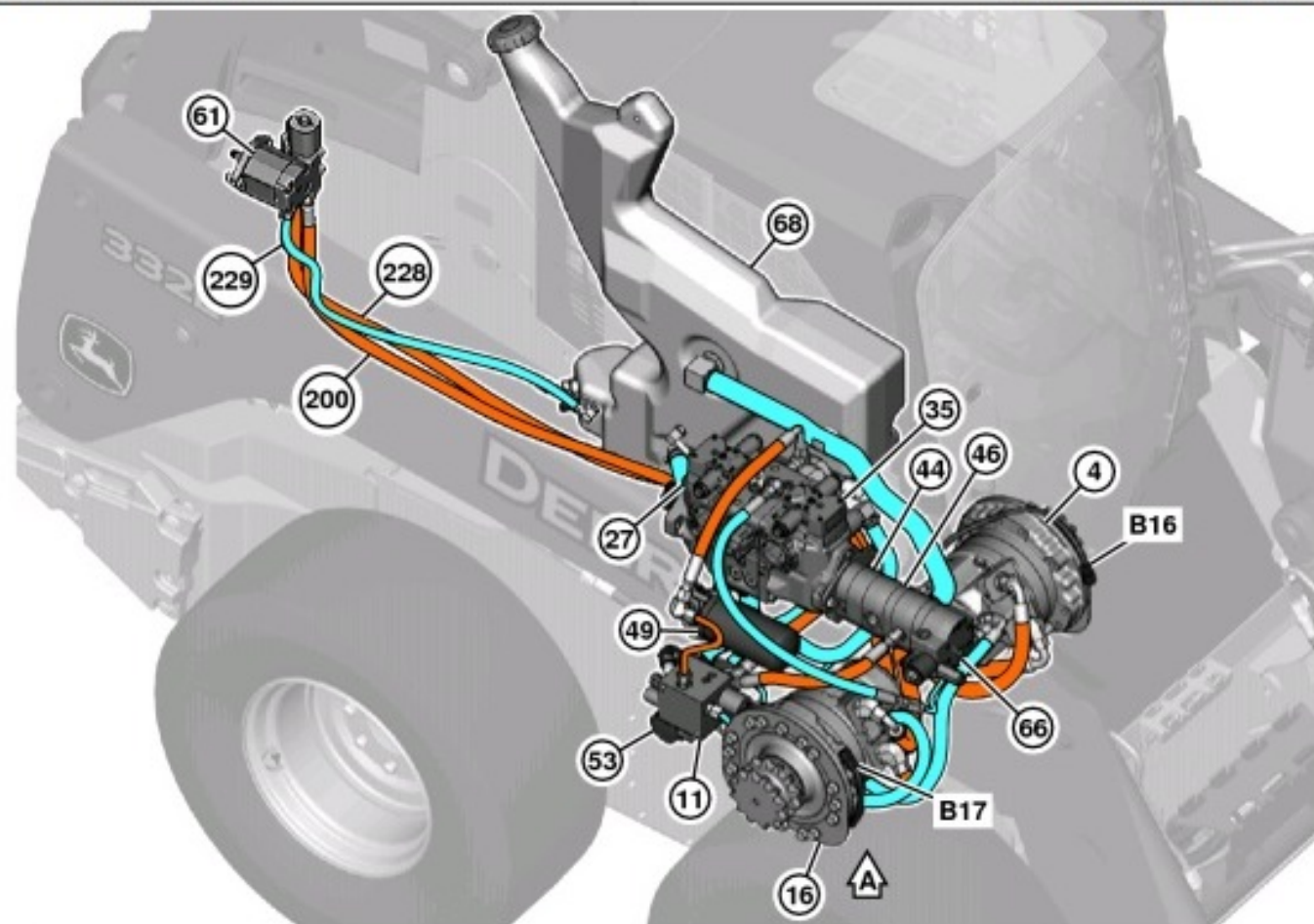
This service manual contains important information for the maintenance, troubleshooting and servicing of the **John Deere 450G, 455G, 550G, 555G, 650G Crawler Dozer/Loader Diagnostic Workshop Service Manual (tm1403)**

In this manual you will find detailed specifications, illustrations, schematics, diagrams and step-by-step procedures to properly service and diagnose the machine to the manufacturer's standards.

Contents:

- General Information
- Specifications
- Serial Number Location
- Engine Specifications
- Engine Diagnostics
- Engine Tests and Adjustments
- Engine Repair
- Power Train
- Transmission
- Axles
- Differential
- PTO
- Hydraulic System
- Electrical System
- Electrical Tests and Diagnostics
- Wiring Diagram / Schematic
- Ignition and Charging
- Steering
- Brakes
- Wheels
- Operator's Platform
- Body Panels
- Disassembly and Assembly
- Diagnostics, Tests and Adjustments
- Troubleshooting
- and much more...

Please note this manual is in **downloadable PDF format only**. If you have any questions about this product or would like to request sample pages, please contact us and reference the product name or SKU.



TX1168410

Hydrostatic System Component Location—Two Speed (S.N. 269402–288041)**LEGEND:**

- 4 Left Hydrostatic Two Speed Motor
- 11 Hydrostatic Control Valve
- 16 Right Hydrostatic Two Speed Motor
- 27 Left Hydrostatic Pump
- 35 Right Hydrostatic Pump
- 44 Main Hydraulic Pump



Thank you very much
for your reading.
Please click here
to get more information.