

John Deere 450J, 550J, 650J Crawler Dozer (S.N.before 141666) Service Repair Technical Manual (TM2258)

**85D Excavator
Repair**




REPAIR TECHNICAL MANUAL

Compact models 85D

TM10755 26FEB15 (ENGLISH)

For complete service information also see:

JDLink (MTG) Technical Manual	TM114519
85D Excavator Diagnostic	TM10754
Super Caddy Oil Cleanup Procedure	CTM310

  **DOWNLOAD** 

John Deere Construction and Forestry

Covers: 141666);,450J,550J,650J

Type: Service Manual

Language: English

Pages: 498

Format: PDF

Features: Bookmarked, searchable, printable

Compatibility: Windows/Mac/Tablet/Mobile

This service manual contains important information for the maintenance, troubleshooting and servicing of the **John Deere 450J, 550J, 650J Crawler Dozer (S.N.before 141666) Service Repair Technical Manual (TM2258)**

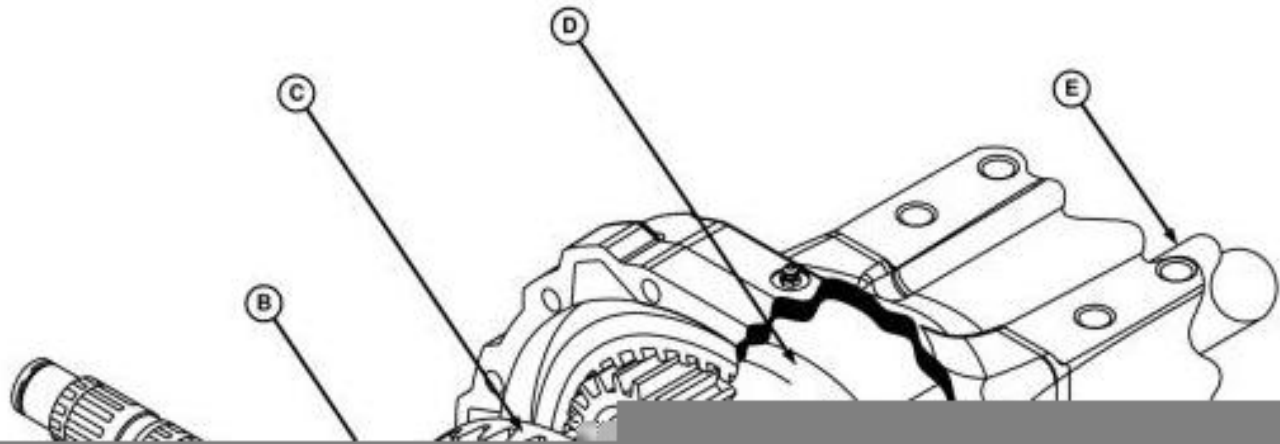
In this manual you will find detailed specifications, illustrations, schematics, diagrams and step-by-step procedures to properly service and diagnose the machine to the manufacturer's standards.

Contents:

- General Information
- Specifications
- Serial Number Location
- Engine Specifications
- Engine Diagnostics
- Engine Tests and Adjustments
- Engine Repair
- Power Train
- Transmission
- Axles
- Differential
- PTO
- Hydraulic System
- Electrical System
- Electrical Tests and Diagnostics
- Wiring Diagram / Schematic
- Ignition and Charging
- Steering
- Brakes
- Wheels
- Operator's Platform
- Body Panels
- Disassembly and Assembly
- Diagnostics, Tests and Adjustments
- Troubleshooting
- and much more...

Please note this manual is in **downloadable PDF format only**. If you have any questions about this product or would like to request sample pages, please contact us and reference the product name or SKU.

Differential Power Flow





Thank you very much
for your reading.
Please click here
to get more information.