

John Deere 450M, 450M Precutter, and 550M Round Balers Technical Service Manual (TM148219)

870G, 870GP, 872G and 872GP Motor Graders Operation and Test

PIN: 1DW870GX__F678818—680877;
PIN: 1DW870GP__F678818—680877;
PIN: 1DW872GX__F678818—680877;
PIN: 1DW872GP__F678818—680877



JOHN HARE



COLLECTION

OPERATION & TEST TECHNICAL MANUAL 870G, 870GP, 872G and 872GP Motor Graders (PIN: 1DW870GX__F678818—680877; PIN: 1DW870GP__F678818—680877; PIN: 1DW872GX__F678818—680877;



For complete service information also see:

870G, 870GP, 872G and 872GP Motor Graders Operators Manual.....	OMT363021X19
DF180 Series Powershift Transmission Repair Manual.....	ctm308
6090 PowerTech™ OEM Diesel Engines (Final Tier 4/ Stage IV platform).....	ctm117719
870G, 870GP, 872G and 872GP Motor Graders Repair	TM14074X19
DF230 Series Transmission Repair Manual.....	ctm362
TeamMate™ II 1400 Series Inboard Planetary Axles.....	ctm138619

Worldwide Construction and Forestry Division

Covers: 450M,450M,550M

Type: Service Manual

Language: English

Pages: 623

Format: PDF

Features: Bookmarked, searchable, printable

Compatibility: Windows/Mac/Tablet/Mobile

This service manual contains important information for the maintenance, troubleshooting and servicing of the **John Deere 450M, 450M Precutcher, and 550M Round Balers Technical Service Manual (TM148219)**

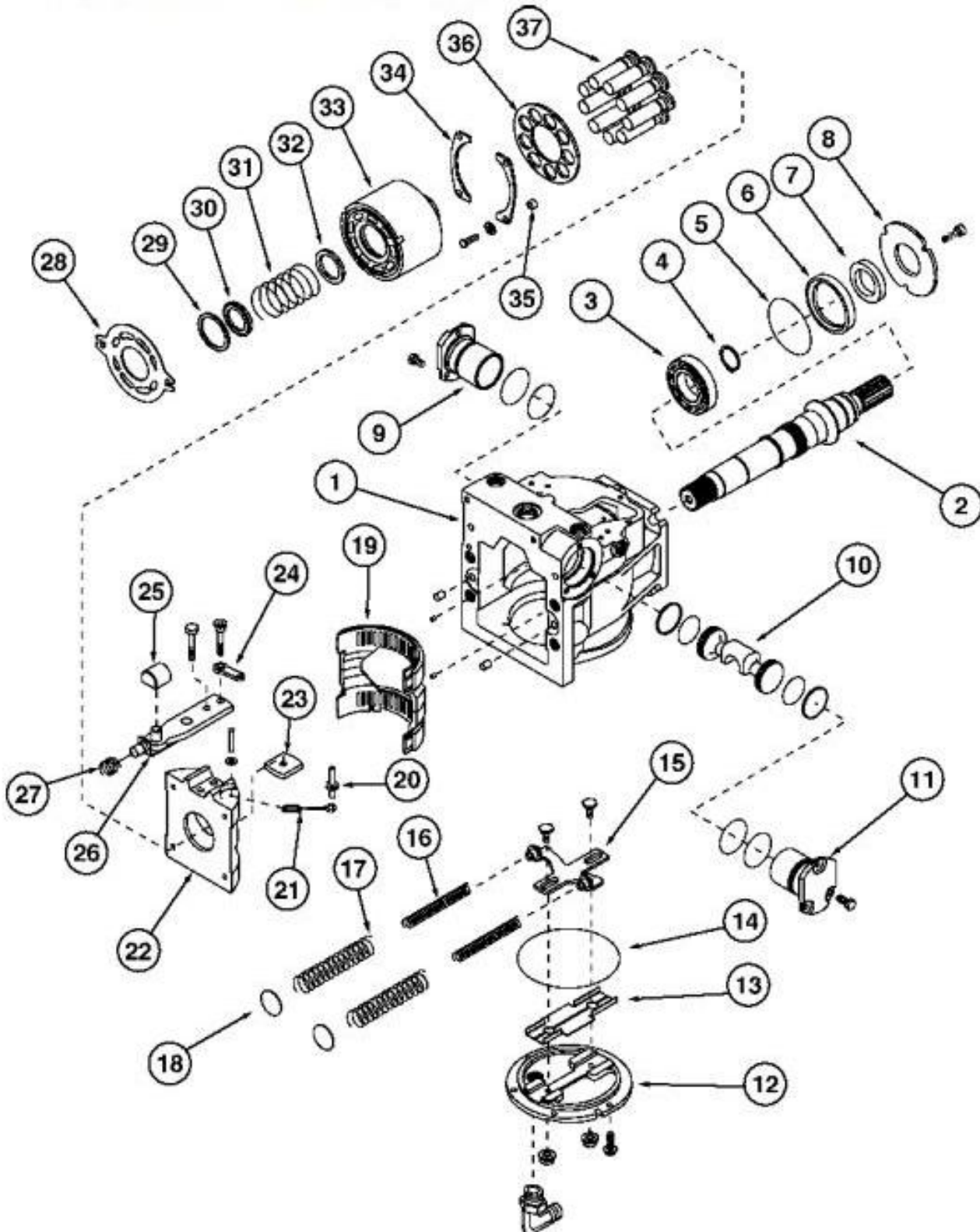
In this manual you will find detailed specifications, illustrations, schematics, diagrams and step-by-step procedures to properly service and diagnose the machine to the manufacturer's standards.

Contents:

- General Information
- Specifications
- Serial Number Location
- Engine Specifications
- Engine Diagnostics
- Engine Tests and Adjustments
- Engine Repair
- Power Train
- Transmission
- Axles
- Differential
- PTO
- Hydraulic System
- Electrical System
- Electrical Tests and Diagnostics
- Wiring Diagram / Schematic
- Ignition and Charging
- Steering
- Brakes
- Wheels
- Operator's Platform
- Body Panels
- Disassembly and Assembly
- Diagnostics, Tests and Adjustments
- Troubleshooting
- and much more...

Please note this manual is in **downloadable PDF format only**. If you have any questions about this product or would like to request sample pages, please contact us and reference the product name or SKU.

Exploded View—Steering Pump



Exploded View of Steering Pump

LEGEND:

1	Pump Housing
2	Pump Shaft
3	Bearing
4	Retaining Ring
5	O-Ring
6	Seal Carrier
7	Lip Seal



Thank you very much
for your reading.
Please click here
to get more information.