

# John Deere 460R, 460R Precutter, 560R, and 560R Precutter Round Baler Technical Manual (TM148019)

**624K-II 4WD Loader  
Operation and Test**

(PIN: 1DW624K\_\_  
\_F677549—)



JOHN HARE



COLLECTION

**OPERATION & TEST TECHNICAL MANUAL  
624K-II 4WD Loader (PIN: 1DW624K\_\_ \_F677549—)**

TM14146X19 01DEC18 (ENGLISH)

For complete service information also see:

PowerTech 6068 OEM Diesel Engines (Final Tier 4/Stage IV  
platform) Level 33 ECU ..... ctm120019  
624K-II 4WD Loader Repair ..... TM14148X19  
TeamMate V 1400 Series Inboard Planetary Axles ..... ctm143819  
TeamMate™ IV 1200 Series Inboard Planetary Axles ..... 143819



Worldwide Construction and  
Forestry Division

**Covers:** 460R,460R,560R,560R

**Type:** Service Manual

**Language:** English

**Pages:** 655

**Format:** PDF

**Features:** Bookmarked, searchable, printable

**Compatibility:** Windows/Mac/Tablet/Mobile

This service manual contains important information for the maintenance, troubleshooting and servicing of the **John Deere 460R, 460R Precutcher, 560R, and 560R Precutcher Round Baler Technical Manual (TM148019)**

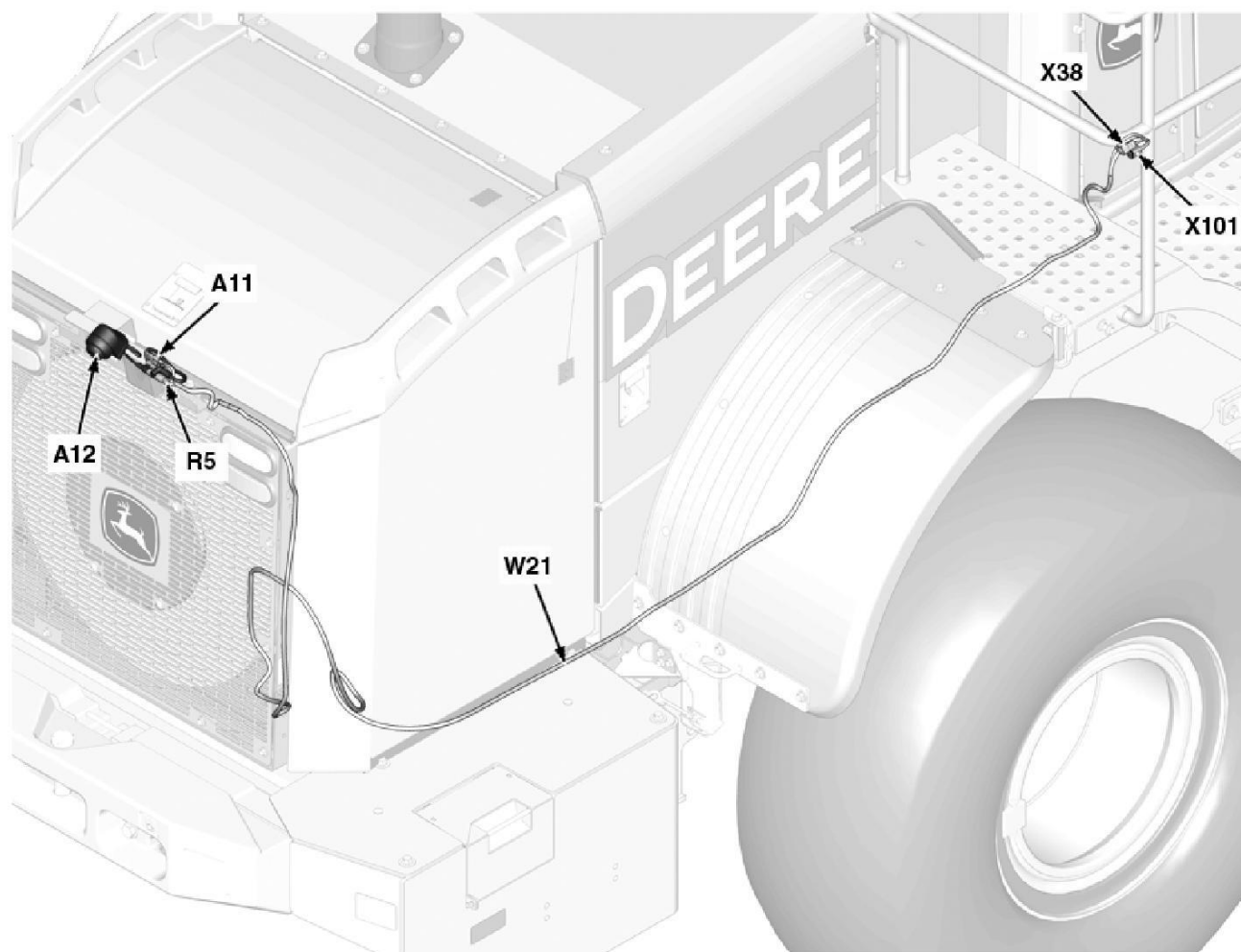
In this manual you will find detailed specifications, illustrations, schematics, diagrams and step-by-step procedures to properly service and diagnose the machine to the manufacturer's standards.

**Contents:**

- General Information
- Specifications
- Serial Number Location
- Engine Specifications
- Engine Diagnostics
- Engine Tests and Adjustments
- Engine Repair
- Power Train
- Transmission
- Axles
- Differential
- PTO
- Hydraulic System
- Electrical System
- Electrical Tests and Diagnostics
- Wiring Diagram / Schematic
- Ignition and Charging
- Steering
- Brakes
- Wheels
- Operator's Platform
- Body Panels
- Disassembly and Assembly
- Diagnostics, Tests and Adjustments
- Troubleshooting
- and much more...

Please note this manual is in **downloadable PDF format only**. If you have any questions about this product or would like to request sample pages, please contact us and reference the product name or SKU.

## Radar Object Detection (ROD) Harness (W21) Component Location



TX1146430A-UN: Radar Object Detection Harness (W21) Component Location

**LEGEND:**

**A11-Radar Object Detection (ROD) Sensor**  
**A12-Rear Camera**  
**R5-CAN 2 Termination Resistor**  
**W21-Radar Object Detection (ROD) Harness**

**X38-R5 CAN 2 Termination Resistor or Load  
 Center Harness-to-ROD Harness 3-Pin  
 Connector**

**X101-Load Center Harness-to-Radar Object  
 Detection (ROD) Harness 6-Pin  
 Connector**

RK40399,00010C9-19-20160204



Thank you very much  
for your reading.  
Please click here  
to get more information.