

John Deere 4630 Self-Propelled Sprayers (PIN Prefix 1YH) Diagnostic & Tests Service Manual (TM106219)

**3156G Log Loader
Operation and Test**
(PIN: 1FF3156G__F316001—)



JOHN HARE



COLLECTION

OPERATION & TEST TECHNICAL MANUAL 3156G Log Loader (PIN: 1FF3156G__F316001—)

TM14029X19 01DEC18 (ENGLISH)

For complete service information also see:

3156G Log Loader Repair	TM14030X19
3156G Log Loader Operators Manual	OMT351760X19
6090 PowerTech™ OEM Diesel Engines (Final Tier 4/ Stage IV platform)	ctm117719



Worldwide Construction and
Forestry Division

Covers: 4630,1YH)

Type: Service Manual

Language: English

Pages: 1451

Format: PDF

Features: Bookmarked, searchable, printable

Compatibility: Windows/Mac/Tablet/Mobile

This service manual contains important information for the maintenance, troubleshooting and servicing of the **John Deere 4630 Self-Propelled Sprayers (PIN Prefix 1YH) Diagnostic & Tests Service Manual (TM106219)**

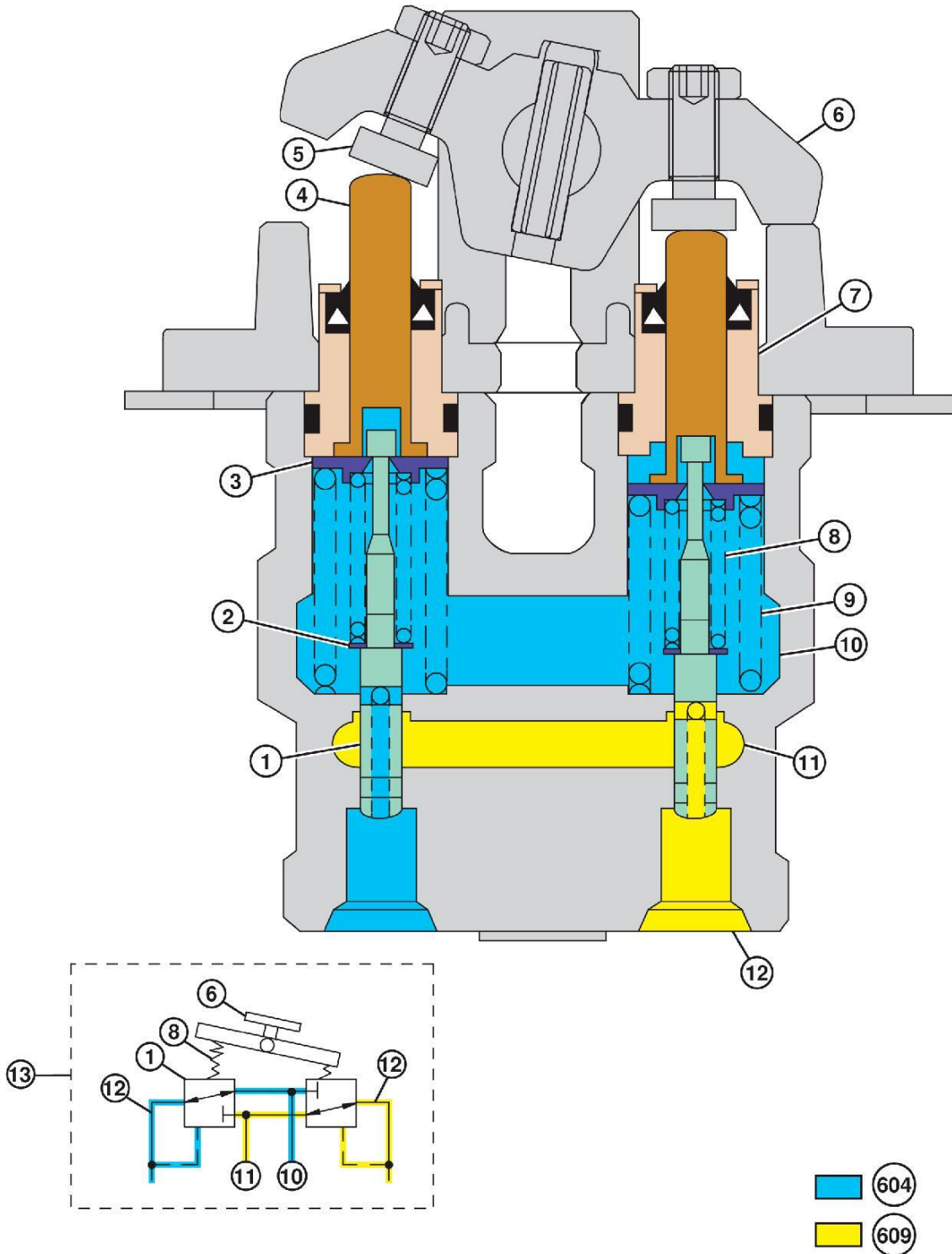
In this manual you will find detailed specifications, illustrations, schematics, diagrams and step-by-step procedures to properly service and diagnose the machine to the manufacturer's standards.

Contents:

- General Information
- Specifications
- Serial Number Location
- Engine Specifications
- Engine Diagnostics
- Engine Tests and Adjustments
- Engine Repair
- Power Train
- Transmission
- Axles
- Differential
- PTO
- Hydraulic System
- Electrical System
- Electrical Tests and Diagnostics
- Wiring Diagram / Schematic
- Ignition and Charging
- Steering
- Brakes
- Wheels
- Operator's Platform
- Body Panels
- Disassembly and Assembly
- Diagnostics, Tests and Adjustments
- Troubleshooting
- and much more...

Please note this manual is in **downloadable PDF format only**. If you have any questions about this product or would like to request sample pages, please contact us and reference the product name or SKU.

Travel Pilot Control Valve Operation



TX1086424

TX1086424-UN: Travel Pilot Control Valve Operation

LEGEND:

- | | | |
|--------------------|---------------------------------|--|
| 1-Spool | 6-Cam and Pedal | 11-Port P From Pilot Shutoff Solenoid Valve |
| 2-Washer | 7-Sleeve | 12-Port 1, 2, 3, or 4 to Control Valve Pilot Cap |
| 3-Spring Guide | 8-Balance Spring | 13-Travel Pilot Control Valve—Full Stroke |
| 4-Plunger | 9-Return Spring | 604-Return Oil |
| 5-Adjustment Screw | 10-Port T to Hydraulic Oil Tank | 609-Pilot Oil |

The travel pilot control valve regulates the pilot oil (609) pressure to actuate the pilot valves in the pilot signal manifold and to shift the control valve spools to actuate the travel functions.

See [Pilot Signal Manifold Operation](#) for pilot valve operation. (Group 9025-05.)



Thank you very much
for your reading.
Please click here
to get more information.