



John Deere 4630 Self-propelled Sprayer (PIN Prefix 1NW) Diagnostic & Tests Service Manual (TM803019)

4630 Self-propelled Sprayer Diagnostic

DIAGNOSIS AND TESTS MANUAL
Self-Propelled Sprayers models 4630
TM803019 02 OCT 15 (ENGLISH)

For complete service information also see:

4630 Self-Propelled Sprayer Repair	TM803119
GreenStar 3 2630 Display Technical Solutions Manual	TM112219
Alternators and Starting Motors	CTM77
PowerTech E 4.5 and 6.8L Diesel Engines Level 16 Electronic Fuel System With Denso HPCR	CTM502
120 Series Hydraulic	
PowerTech 4.5L & 6.8L Diesel Engines Level 16 Electronic Fuel System With Denso HPCR	
100 Series Hydraulic Cylinder	

PDF  **DOWNLOAD** 

John Deere Agriculture
Printed by Belgreen

TM803019

Covers: 4630,1NW)

Type: Service Manual

Language: English

Pages: 1456

Format: PDF

Features: Bookmarked, searchable, printable

Compatibility: Windows/Mac/Tablet/Mobile

This service manual contains important information for the maintenance, troubleshooting and servicing of the **John Deere 4630 Self-propelled Sprayer (PIN Prefix 1NW) Diagnostic & Tests Service Manual (TM803019)**

In this manual you will find detailed specifications, illustrations, schematics, diagrams and step-by-step procedures to properly service and diagnose the machine to the manufacturer's standards.

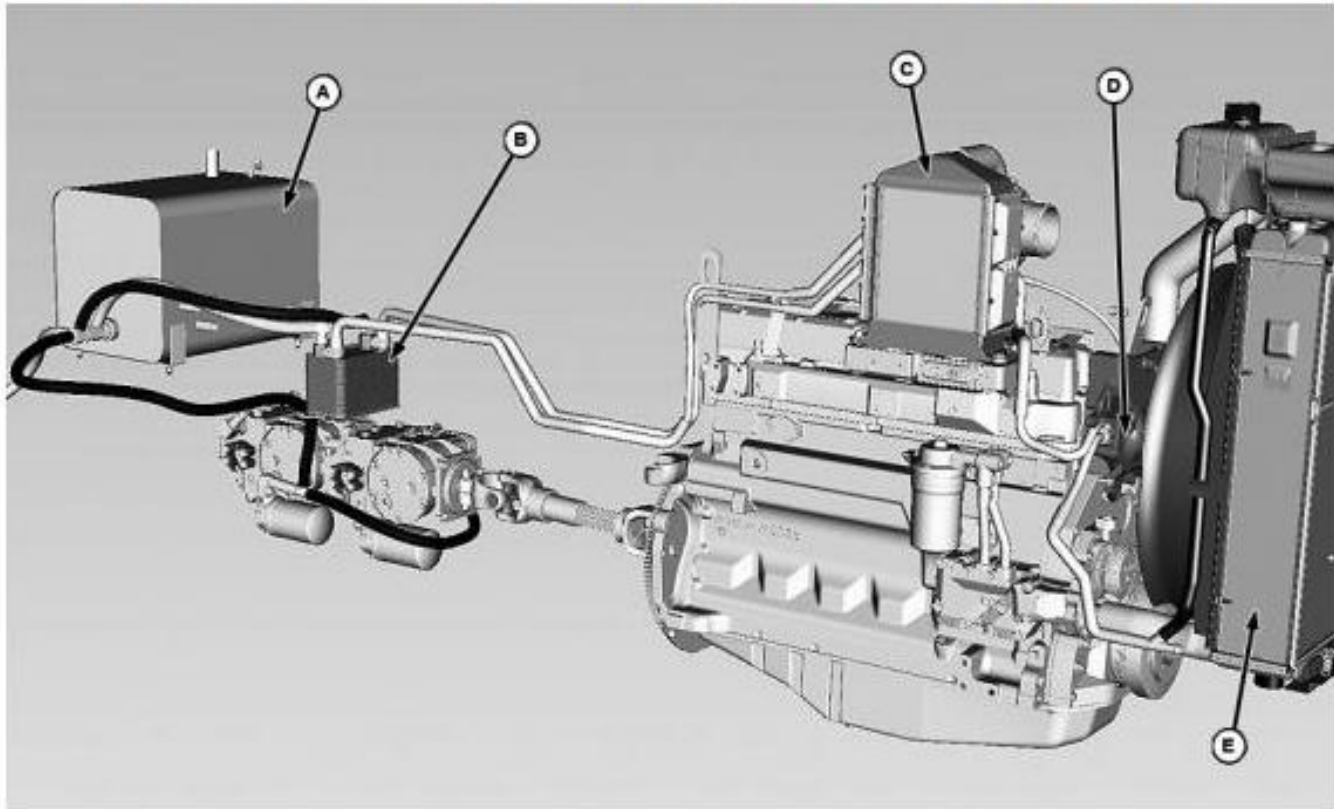
Contents:

- General Information
- Specifications
- Serial Number Location
- Engine Specifications
- Engine Diagnostics
- Engine Tests and Adjustments
- Engine Repair
- Power Train
- Transmission
- Axles
- Differential
- PTO
- Hydraulic System
- Electrical System
- Electrical Tests and Diagnostics
- Wiring Diagram / Schematic
- Ignition and Charging
- Steering
- Brakes
- Wheels
- Operator's Platform
- Body Panels
- Disassembly and Assembly
- Diagnostics, Tests and Adjustments
- Troubleshooting
- and much more...

Please note this manual is in **downloadable PDF format only**. If you have any questions about this product or would like to request sample pages, please contact us and reference the product name or SKU.

Group 15C - Intercooler and Hydraulic Oil Cooling System

Intercooler and Hydraulic Oil Cooling System Theory of Operation



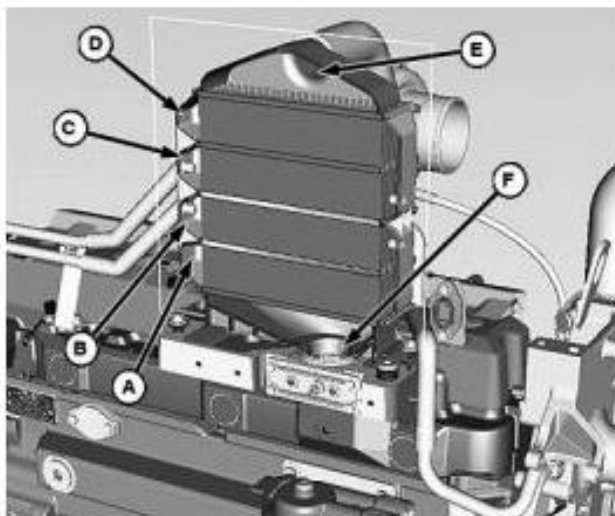
Intercooler Cooling System

LEGEND:

A	Hydraulic Oil Reservoir (R1)
B	Hydraulic Oil Cooler (H1)
C	Intercooler
D	Intercooler Coolant Pump
E	Radiator

The sprayer has two coolant pumps. Both pumps circulate coolant through the radiator to discharge the heat.

- Intercooler coolant pump (D) circulates coolant through radiator (E), intercooler (C), and hydraulic oil cooler (B).
- The engine coolant pump circulates coolant through radiator (E), engine, and cab heating system.



LEGEND:

A	Coolant IN from Intercooler Coolant Pump
B	Coolant OUT to Hydraulic Oil Cooler
C	Coolant IN from Hydraulic Oil Cooler
D	Coolant OUT to Radiator
E	Air IN from Turbocharger
F	Air OUT to Intake Manifold

Intercooler (Cutaway)



Thank you very much
for your reading.
Please click here
to get more information.