

# John Deere 470GLC Excavator with Engine 6UZ1XZSA-01 Diagnostic, Operation and Test Manual (TM12174)

## 470GLC Excavator Diagnostic

### OPERATION AND TEST MANUAL

470GLC with Engine 6UZ1XZSA-01 (PIN: 1FF470GX\_\_E470001-)

TM12174 01NOV15 (ENGLISH)

For complete service information also see:

TM12180 - 470GLC Excavator (PIN: 1FF470GX__E470001- )	TM12180
JDLink (MTG) Technical Manual	TM114519



John Deere Construction and Forestry

**Covers:** 470GLC,1FF470GX\_\_,\_E470001-)

**Type:** Service Manual

**Language:** English

**Pages:** 1052

**Format:** PDF

**Features:** Bookmarked, searchable, printable

**Compatibility:** Windows/Mac/Tablet/Mobile

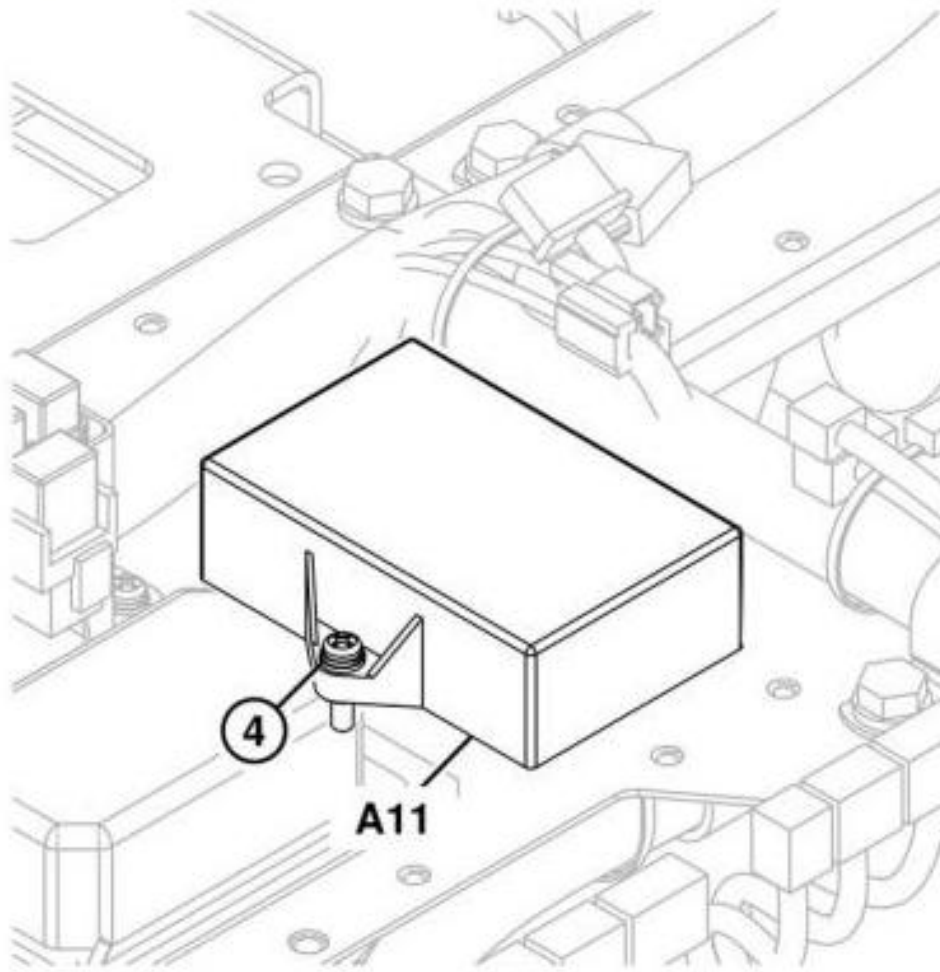
This service manual contains important information for the maintenance, troubleshooting and servicing of the **John Deere 470GLC Excavator with Engine 6UZ1XZSA-01 Diagnostic, Operation and Test Manual (TM12174)**

In this manual you will find detailed specifications, illustrations, schematics, diagrams and step-by-step procedures to properly service and diagnose the machine to the manufacturer's standards.

**Contents:**

- General Information
- Specifications
- Serial Number Location
- Engine Specifications
- Engine Diagnostics
- Engine Tests and Adjustments
- Engine Repair
- Power Train
- Transmission
- Axles
- Differential
- PTO
- Hydraulic System
- Electrical System
- Electrical Tests and Diagnostics
- Wiring Diagram / Schematic
- Ignition and Charging
- Steering
- Brakes
- Wheels
- Operator's Platform
- Body Panels
- Disassembly and Assembly
- Diagnostics, Tests and Adjustments
- Troubleshooting
- and much more...

Please note this manual is in **downloadable PDF format only**. If you have any questions about this product or would like to request sample pages, please contact us and reference the product name or SKU.



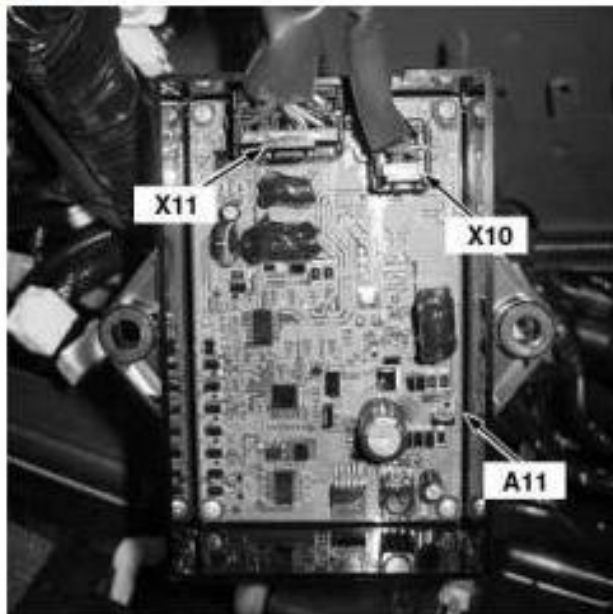
### Machine Controller (BCZ)

#### LEGEND:

4 Cap Screw (2 used)  
 A11 Machine Controller (BCZ)

Remove cap screws (4) and lift up machine controller (BCZ) (A11).

[7] -



#### LEGEND:

A11 Machine Controller (BCZ)  
 X10 Machine Controller 8-Pin Connector A  
 X11 Machine Controller 20-Pin Connector B



Thank you very much  
for your reading.  
Please click here  
to get more information.